

BODYCRAFT

F430

Power Cage

The BodyCraft Power Rack is built for the person who knows how to push their body to the limit. Rugged construction and easy adjustments make your workout enjoyable and quick. Adjustable Spotter Arms are included for safe, solo workouts. Combine the Power Rack with the BodyCraft Lat / Low Row Attachment, Dip Handles, and Flat / Incline / Decline Bench for a complete Strength Training System.

Power Rack
model # F430

Lat / Row Attachment
model # F431
F200

200-lb. Weight Stack Upgrade Kit model
Dip Attachment
model # F432

- Rugged 11 gauge, 2" X 3" Steel Tubing.
- Easy Spring Pin Adjustments on Safety Spotters and Bar Catches.
- Chin Up Bar.
- 200-lb. Weight Stack Option available for Lat / Row Attachment. Keep the Top Plate / Plate Holder for the ability to add extra weight beyond the 200-lb. weight stack.

LIFETIME WARRANTY*

Since it is built to last a lifetime, every part of the BodyCraft F430 is guaranteed for as long as you own it. We will replace or repair any defect. Warranty applies only to the original owner and for in-home use.

Bodycraft™ is a division of Recreation Supply, Inc.
P.O. Box 181 Sunbury, OH 43074
Phone 800-990-5556
Fax:740-965-2449
www.bodycraft.com



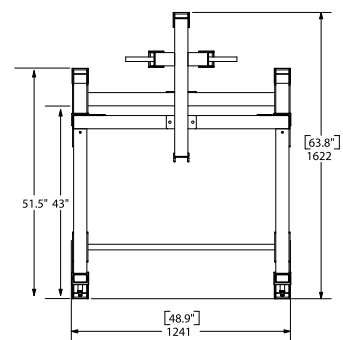
F431 Lat/Row Attachment



F200 Weight Stack Upgrade
Kit for F431



F432 Dip Attachment



Dimension: With Lat Attachment - 48.9" W x 63.8" L x 82.5" H
Base Only - 48.9" W x 51.5" L x 80.25" H