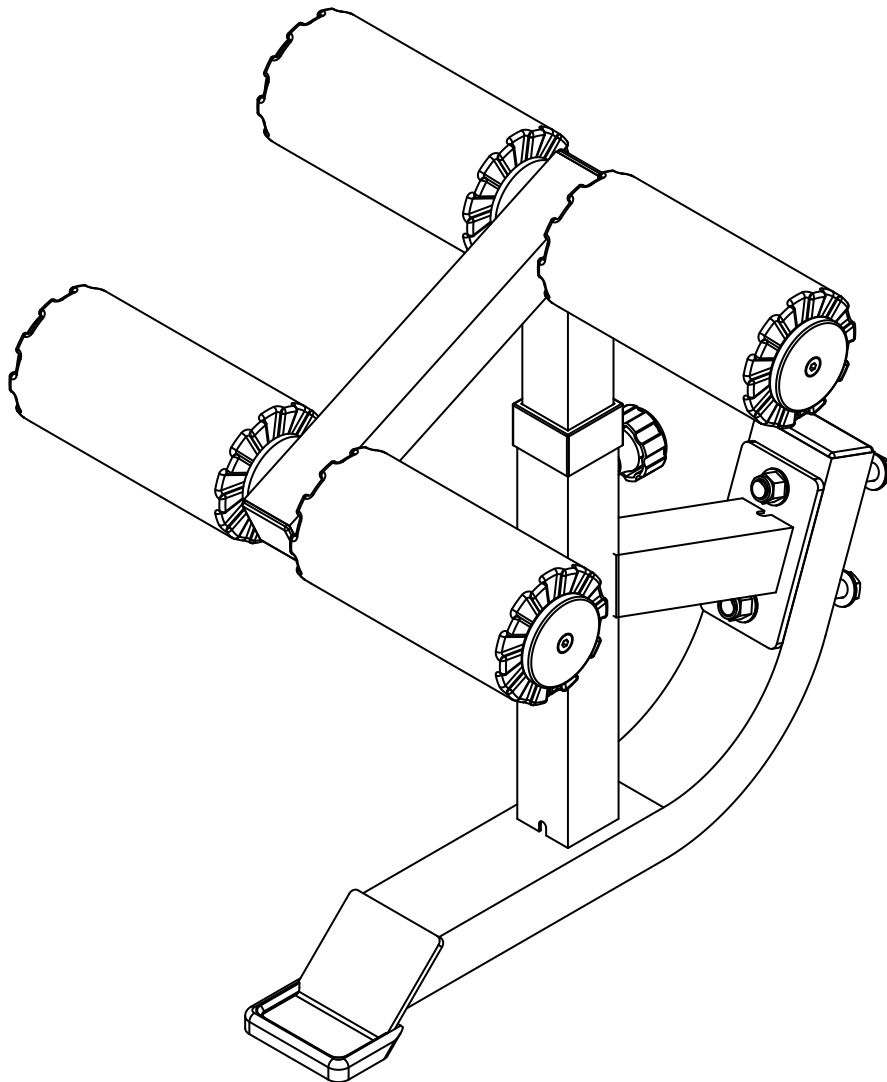


BODYCRAFT

F615 HOLD / DOWN ATTACHMENT KIT

OWNERS MANUAL

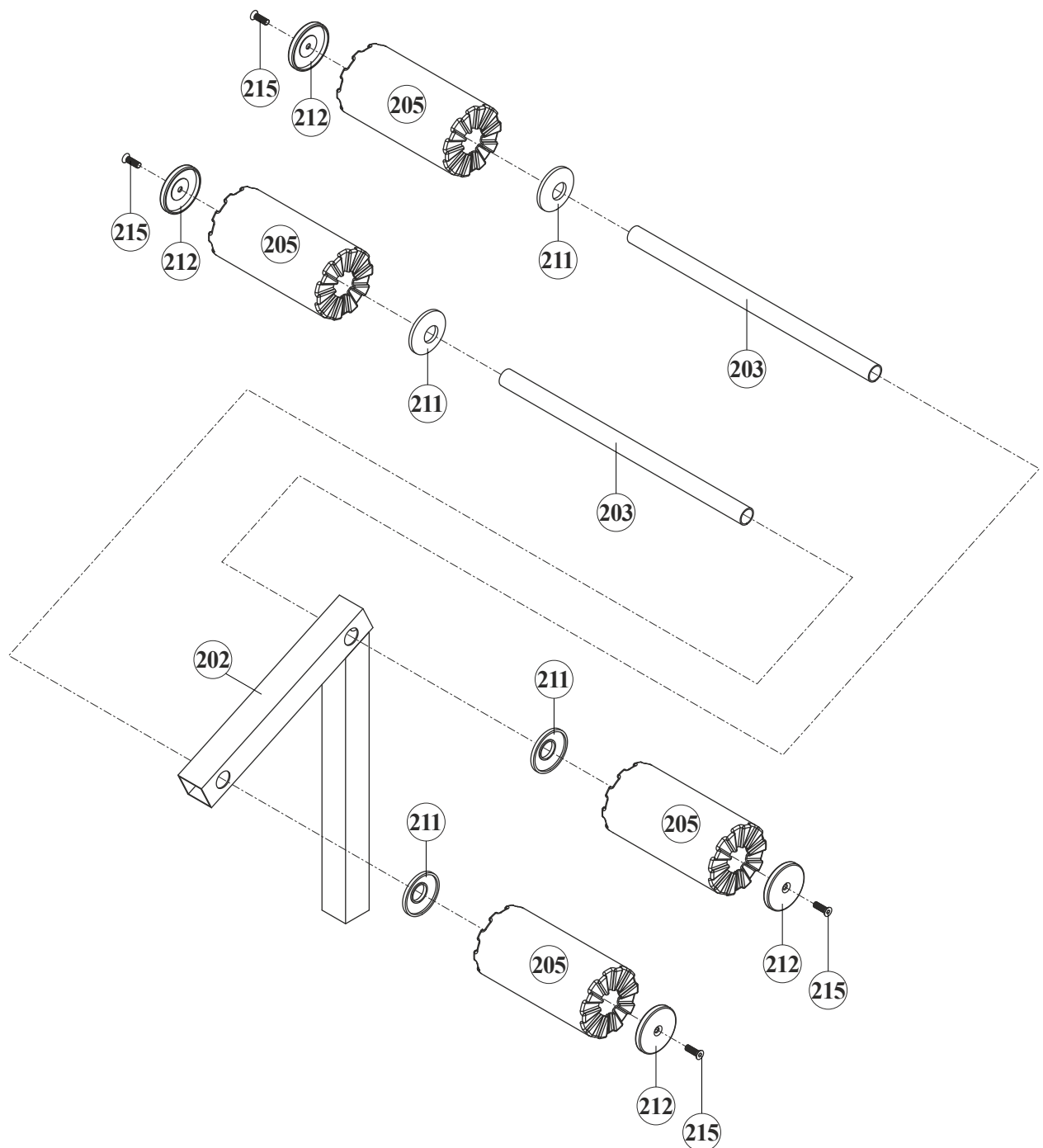


Model No. F615
BODYCRAFT
a division of Recreation Supply Inc.

Recreation Supply, Inc.
7699 Green Meadows Dr.
Lewis Center, OH 43035

STEP 1 ASSEMBLE HOLD DOWN TUBE

1. Insert two Foam Roller Holders (203) into the Hold Down Tube (202) and slide Foam Pad Cover (205), Plastic Washer (211), Aluminum Cap (212) onto each end of the Foam Roller Holder (203) by using four 5/16" X 1-1/4" Screws (215).

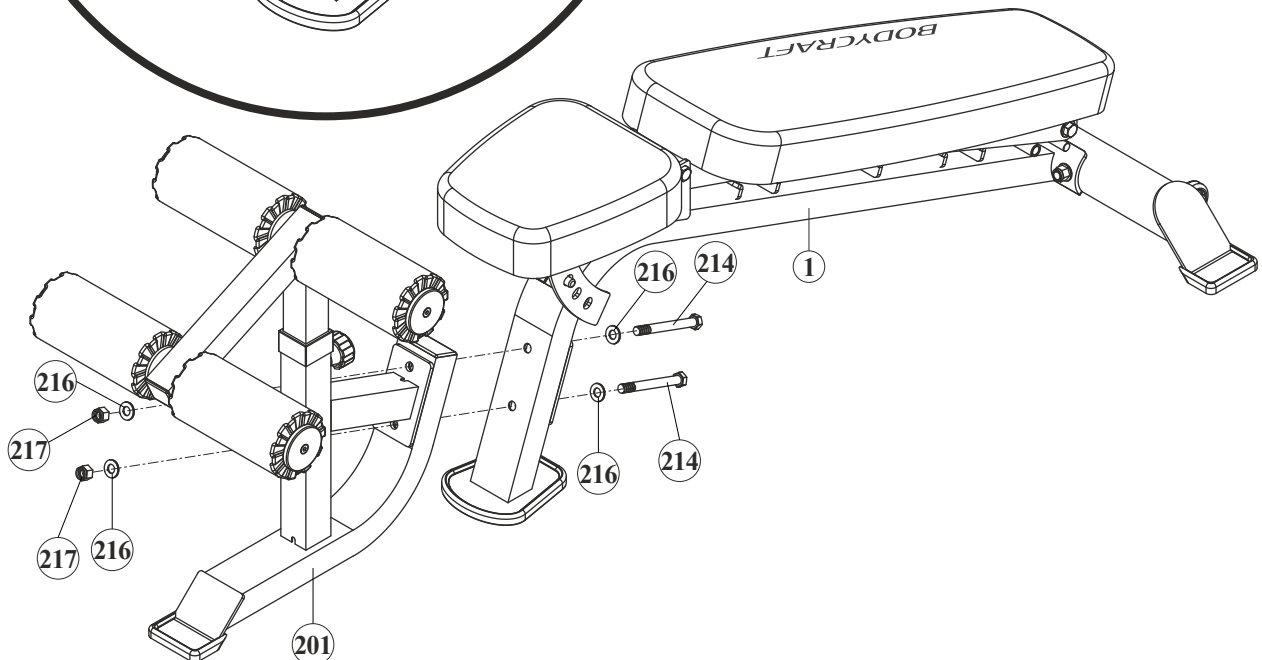
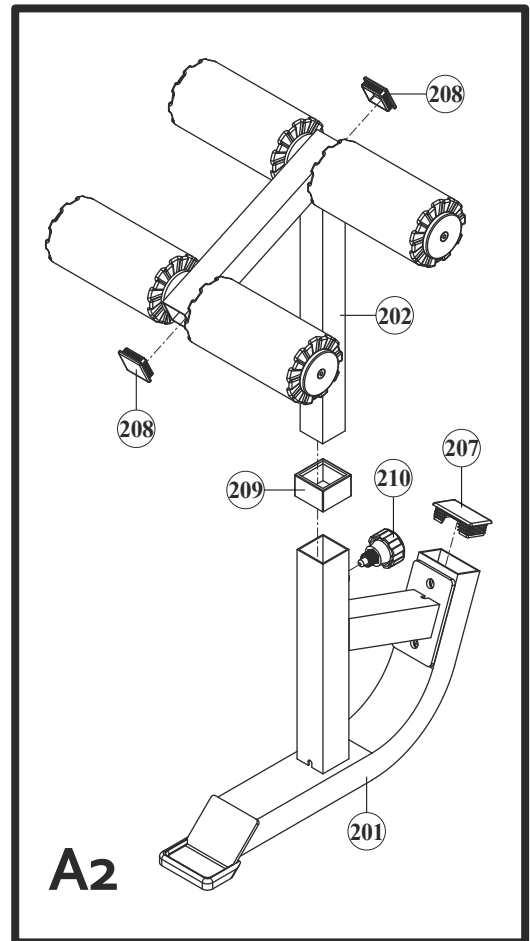
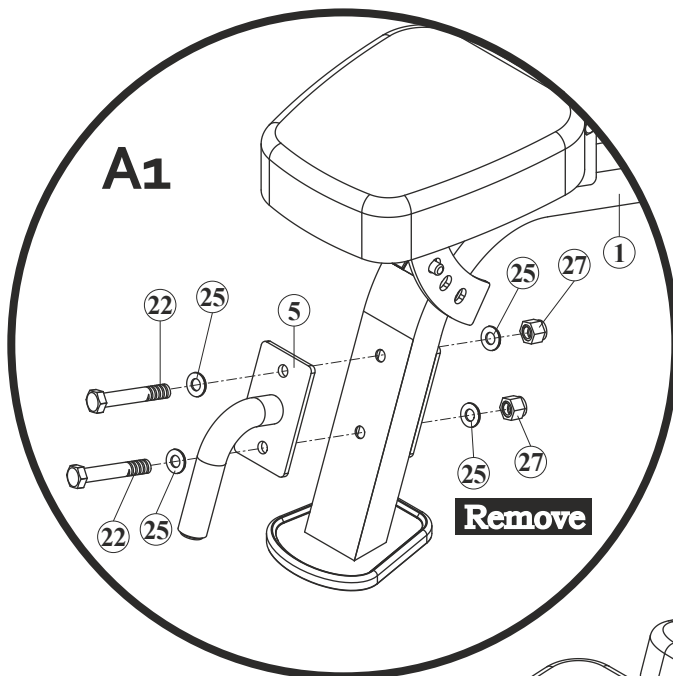


STEP 2 ASSEMBLE ATTACHMENT HOLDER

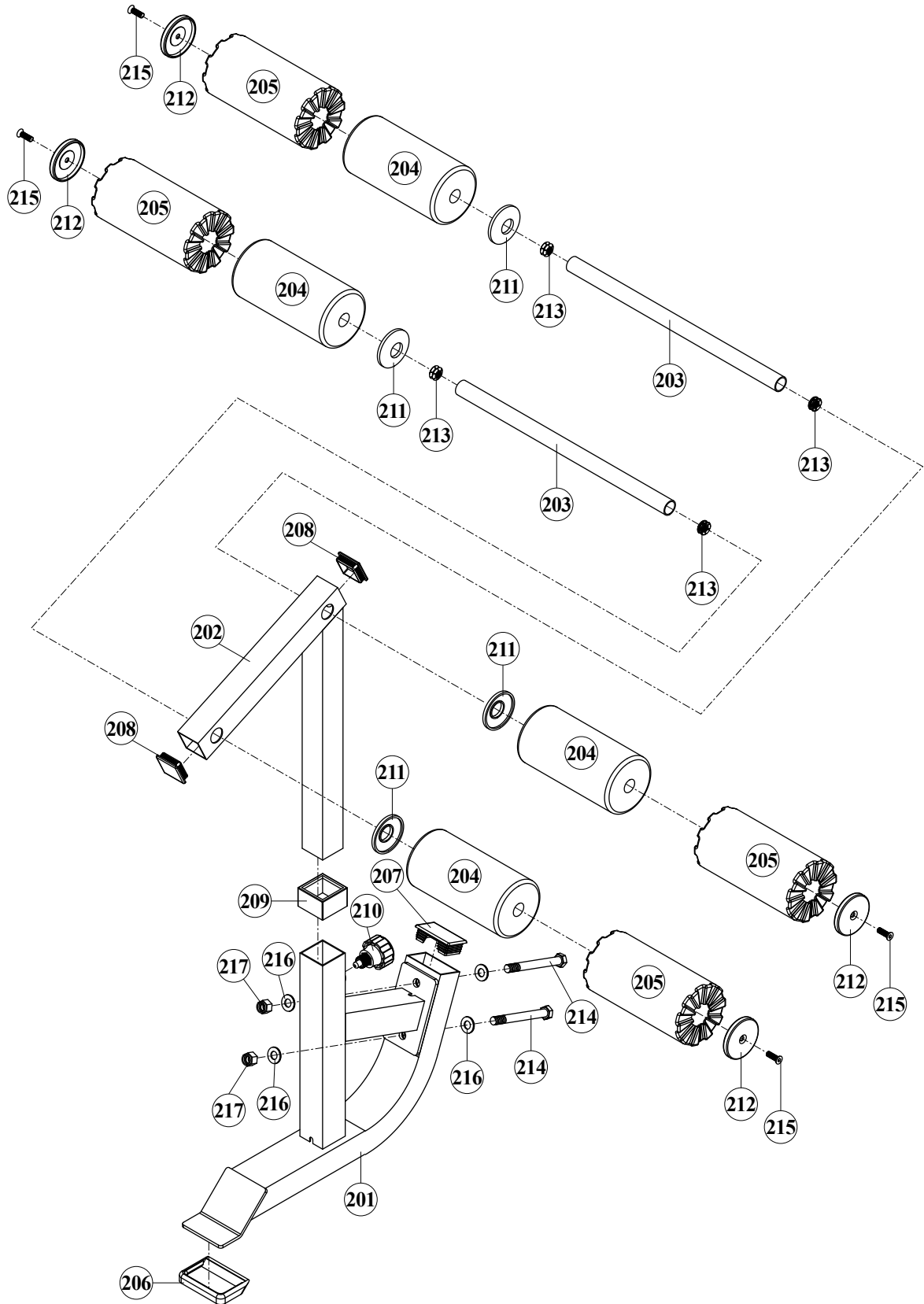


NOTE: Your bench may differ in appearance. The assembly instructions will be the same.

1. Please remove Handle Bar (5) on the Main Frame (1). As shown in view A1 below.
2. Attach Attachment Holder (201) to the Main Frame (1) using two 1/2" X 4-3/4" Hex Bolt (214), four 1/2" Washers (216) and two 1/2" Nylon Nuts (217).
3. Install 45 X 75mm End Plug (207) to the Attachment Holder (201), and two 45 X 45mm End Plugs (208) to the Hold Down Tube (202). As shown in view A2 below. **Tighten All Bolts.**

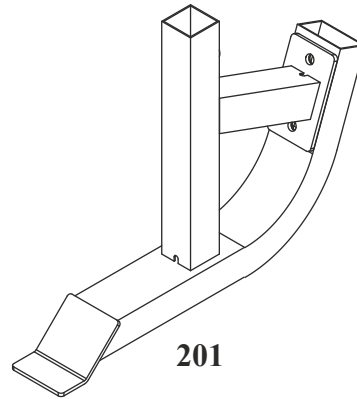


EXPLODED VIEW

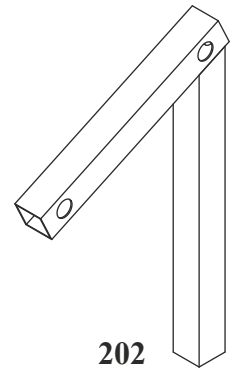


COMPLETE PARTS CHART

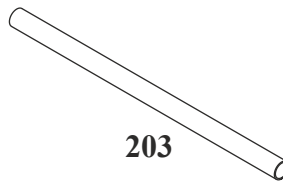
NO.	DESCRIPTION	QTY.
201	ATTACHMENT HOLDER	1
202	HOLD DOWN TUBE	1
203	FOAM ROLLER HOLDER	2
204	FOAM PAD	4
205	FOAM PAD COVER	4
206	RUBBER (Pre-Assembled)	1
207	45 X 75mm END PLUG	1
208	45 X 45mm END PLUG	2
209	SPACER CAP	1
210	QUICK RELEASE	1
211	PLASTIC WASHER	4
212	ALUMINUM CAP	4
213	5/16" NUT (Pre-Assembled)	4
214	1/2" X 4-3/4" HEX BOLT	2
215	5/16" X 1-1/4" SCREW	4
216	1/2" WASHER	4
217	1/2" NYLON NUT	2



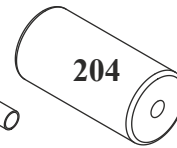
201



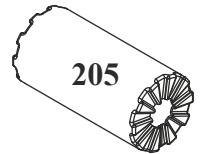
202



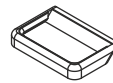
203



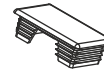
204



205



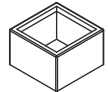
206



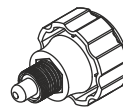
207



208



209



210



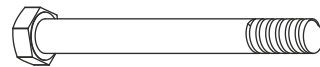
211



212



213



214



215



216



217

*Parts images are not to scale.