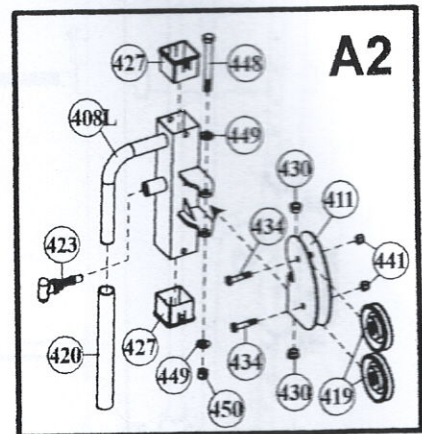
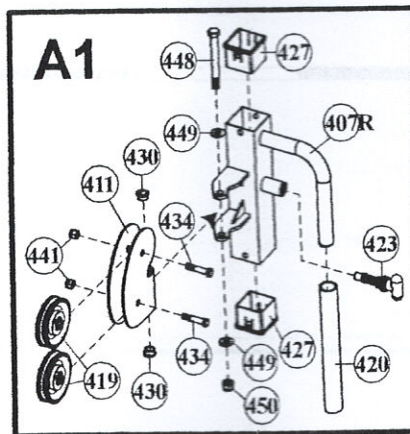
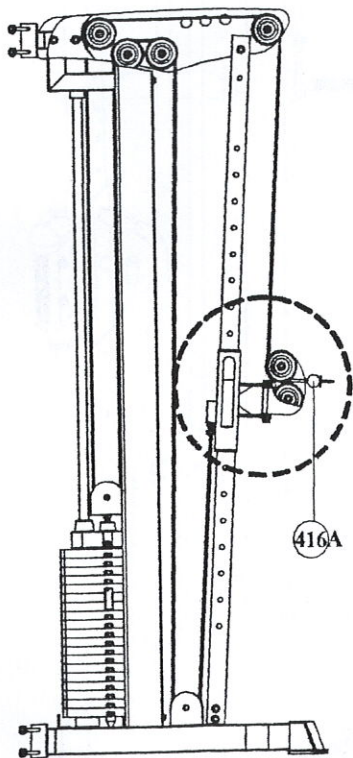
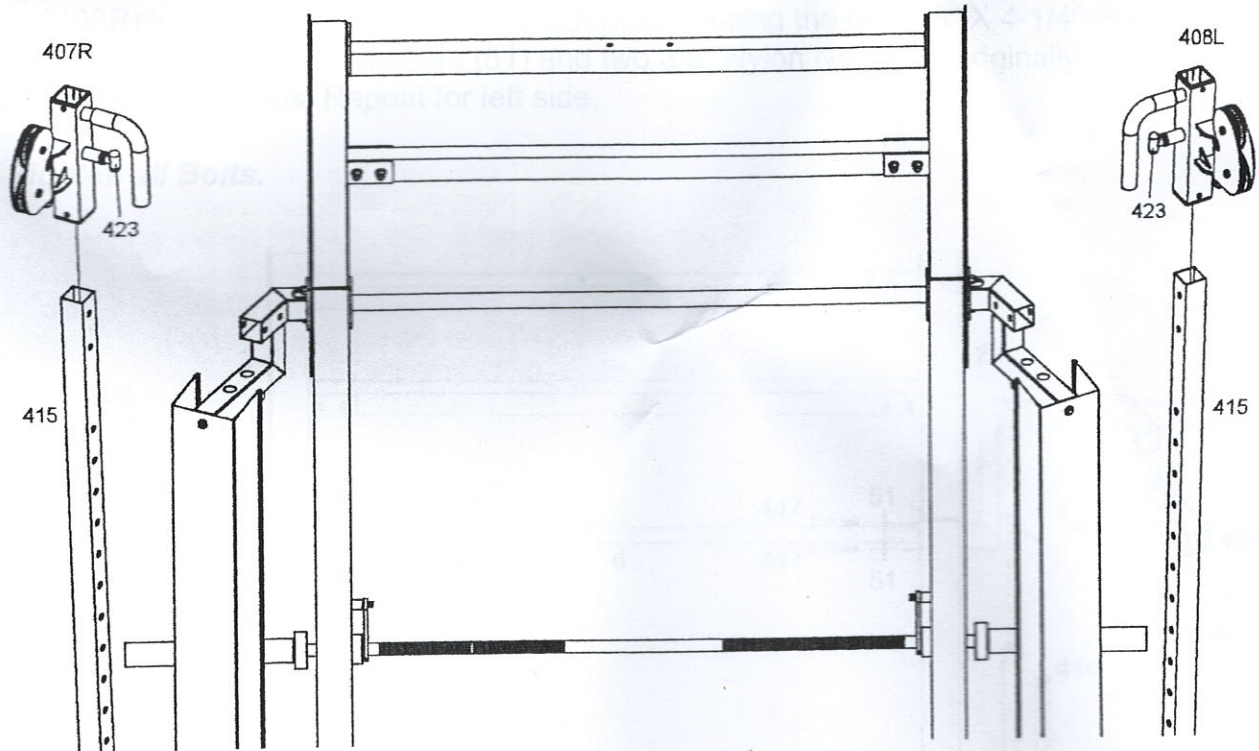


RIGHT & LEFT CABLE HEIGHT ADJUSTER ASSEMBLY

- ※ Slide the Right and Left Cable Height Adjuster (407R & 408L) over the top of the Upright Frame (415). Stop at your desired height by locking the Pop Pin (423).



- ※ Please use new Right & Left Cable Height Adjuster (407R & 408L) as shown in A1 & A2.

- ※ Attach Rotating Pulley Holder (411) to the Right & Left Cable Height Adjuster (407R & 408L) using two 1/2" X 4-1/2" Hex Bolts (448), four 1/2" Washers (449), and two 1/2" Nylon Nuts (450).