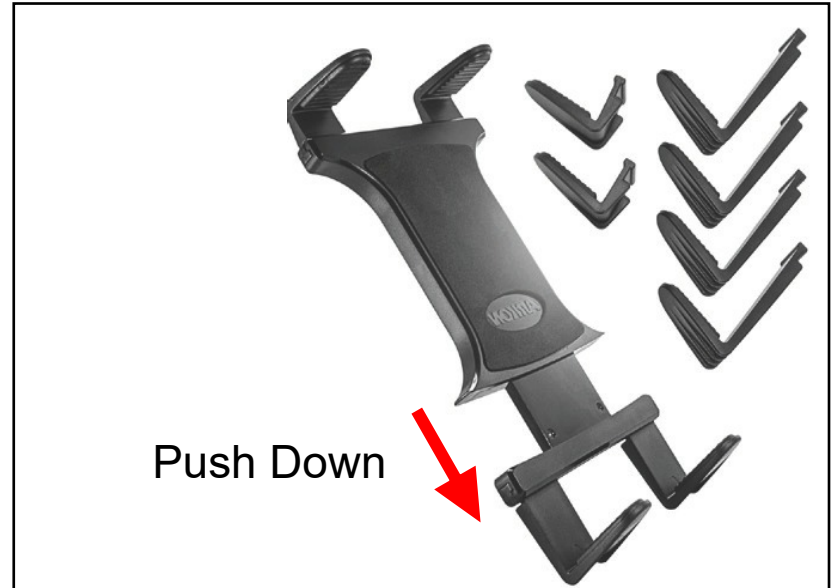


# BODYCRAFT

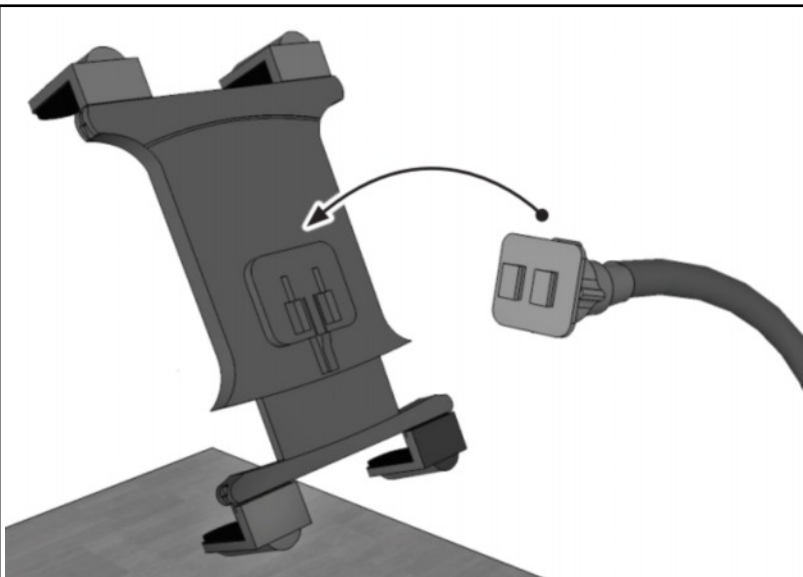
## Tablet Installation Instructions



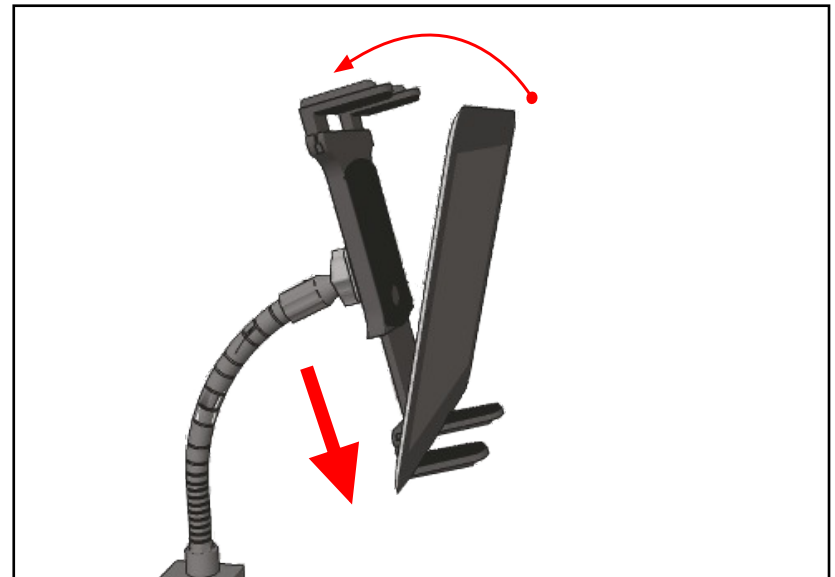
- 1.** Attach C-Clamp making sure the groove is in line with the handlebar. Adjust the clamp bracket position with a Phillips screwdriver if necessary.



- IMPORTANT:** Select the appropriate short or long support tabs and install to holder. For large devices, select 4 long support tabs.
- 2.**



- 3.** Attach the Tablet holder by sliding the Dual T-Tabs on the pedestal head into the Dual T-Slots of the holder.



- Insert tablet by placing it on the lower tabs and pushing down on the spring-loaded bottom of the holder. Use the tightening ring to adjust position and angle.
- 4.**