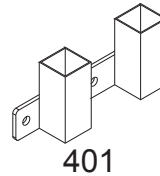


BODYCRAFT

ASSEMBLY INSTRUCTION MANUAL MODEL: F414 ACCESSORY GYM ORGANIZER

PARTS CHART

<u>NO.</u>	<u>DESCRIPTION</u>	<u>QTY.</u>
401	ACCESSORY HOLDER	1
411	BUSHING	2



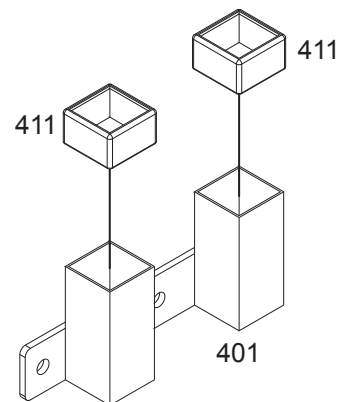
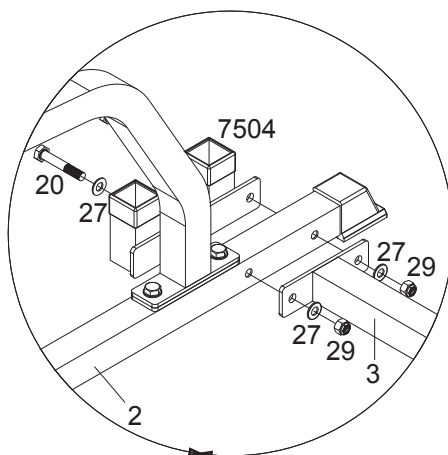
401



411

The Accessory Organizer attach to Left Base Frame(2) of the smith machine.

1. Removed the two Bolts(20) attaching side Base Frame(2) to the Rear Stabilizer Discard the Connect Plate(14).
Attach Accessory Holder(401) to Base Frame(1) and tighten Bolts(20) , Washers(27) and Nuts(29) again.
2. Attach Bushing(411) on Accessory Holder(401).



Thank you for purchasing the Bodycraft Smith Attachment Strength Training System. If You have any questions, please call your local BodyCraft dealer or call our customer service department at 800-990-5556.