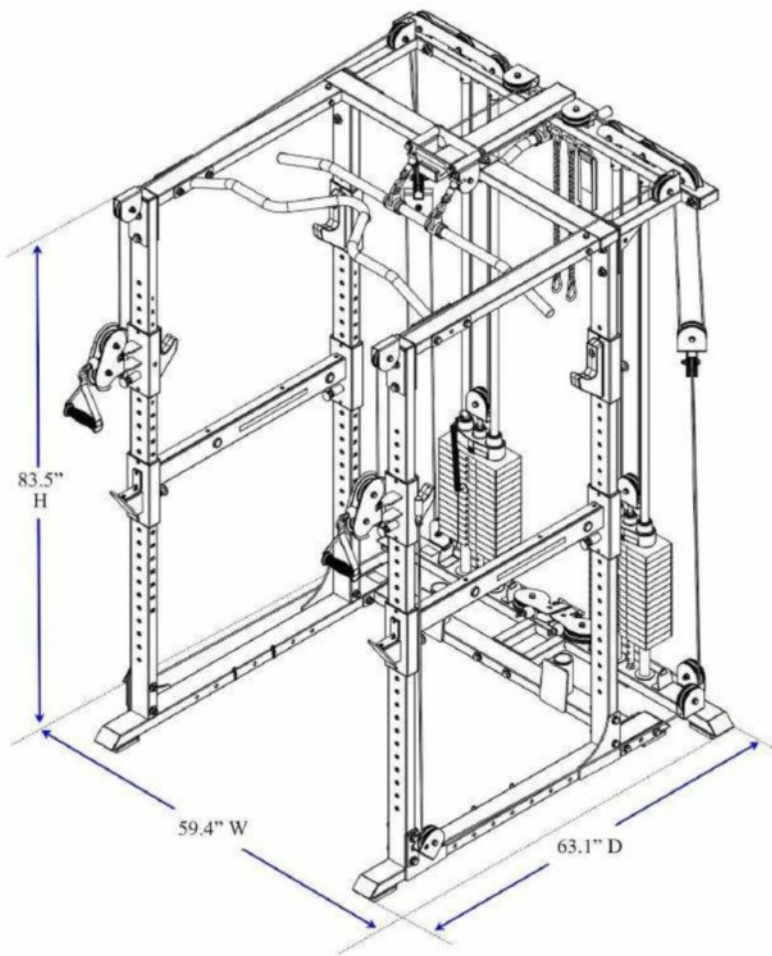


## Machine Dimensions - RFT PRO & Options



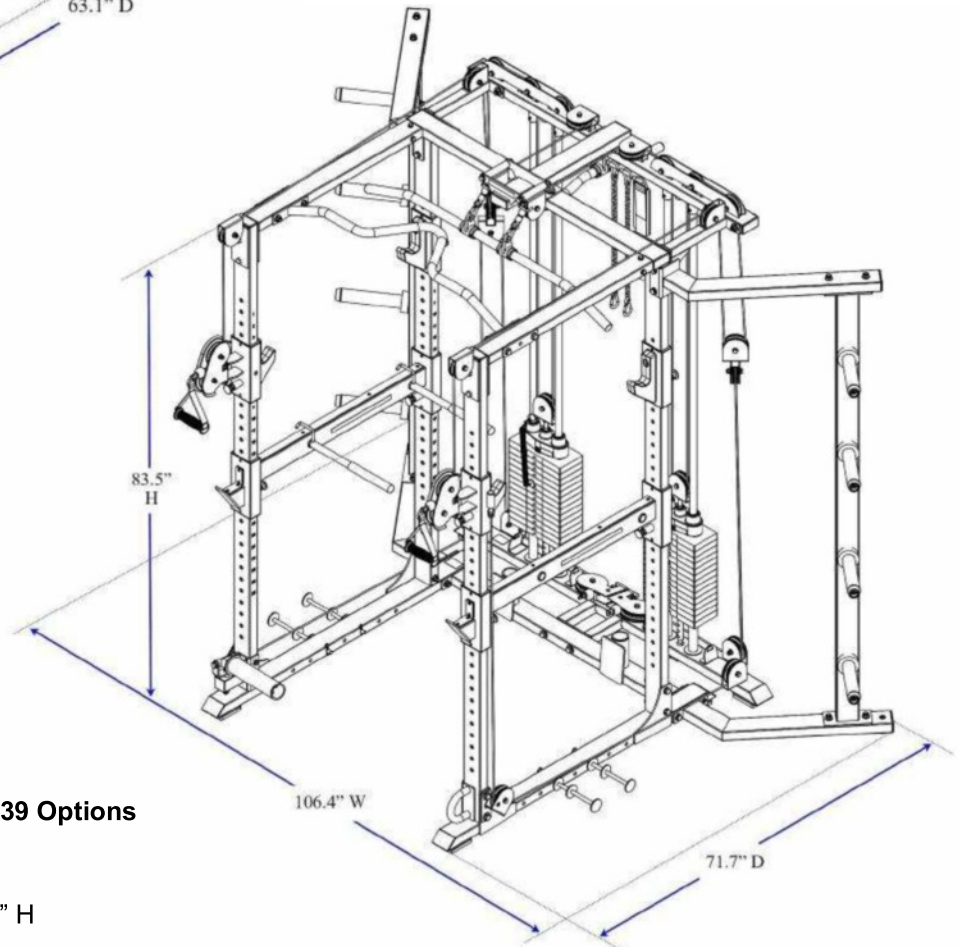
### RFT PRO V2

#### Overall Dimensions

59.4" W x 63.1" D x 83.5" H

#### NOTE:

- Serial # ending in **0418**: Height 84.3"
- Serial # ending in **V2**: Height 83.5"



### RFT PRO V2

& w/ F732, F734, F735, F737 & F739 Options

#### Overall Dimensions

106.4" W x 71.7" D x 83.5" H