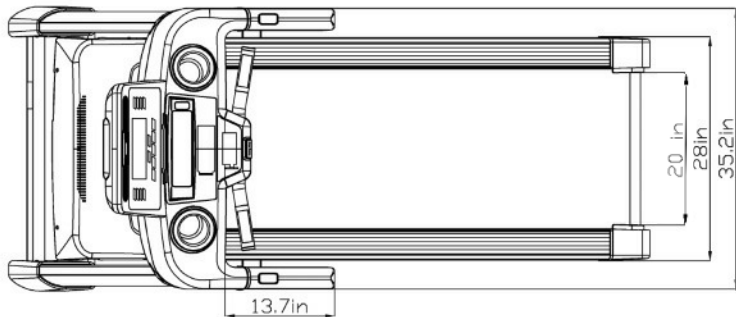
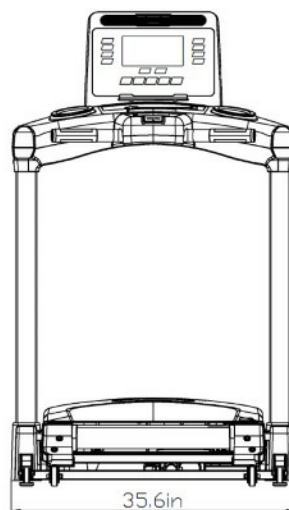
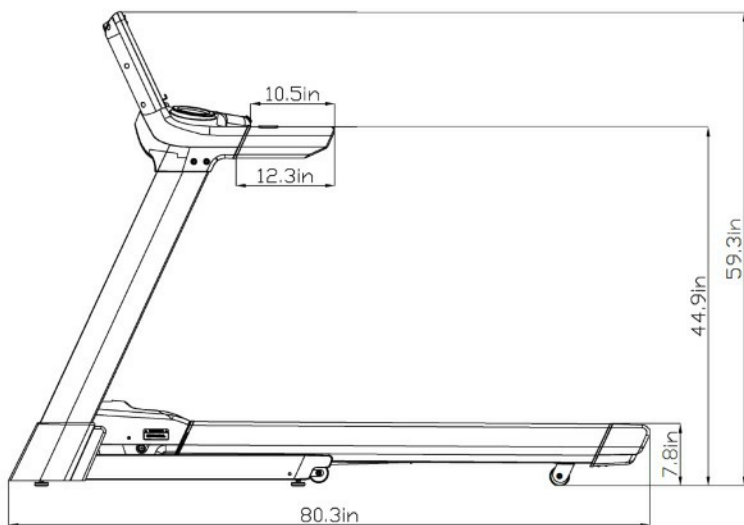


PRODUCT SPECIFICATIONS

T400



	Physical Dimensions	Shipped Dimension Box 1	Shipped Dimension Box 2
Length	80.3"/204cm	90.5"/230cm	N/A
Width	35.6"/90.5cm	38"/97.5cm	N/A
Height	59.3"/150.6cm	13.7"/35cm	N/A
Weight w/ console	254lb/115kg	282lb/127.7kg	N/A



SPACING REQUIREMENTS

BODYCRAFT recommendation is to leave a minimum of a 79 inches (2m) safety zone at the rear of the treadmill, 24 inches (0.6m) on each side of the treadmill and 12 inches (0.3m) in front of treadmill.

U.S. and other regions: The ASTM International (ASTM) F2115 - 12 Standard recommends the minimum dimensions to be 1.64 ft. (0.5 m) on each side of the treadmill and 6.5 ft. (2 m) behind the rearward most portion of the usable moving surface or 6.5 ft. (2 m) behind the furthest rearward obstruction to emergency egress from the treadmill.

EU: The European EN ISO 20957 Safety Standard requires a 6.5 ft. (2 m) minimum from the rear of the treadmill to any object or surface and at least as wide as the treadmill.

