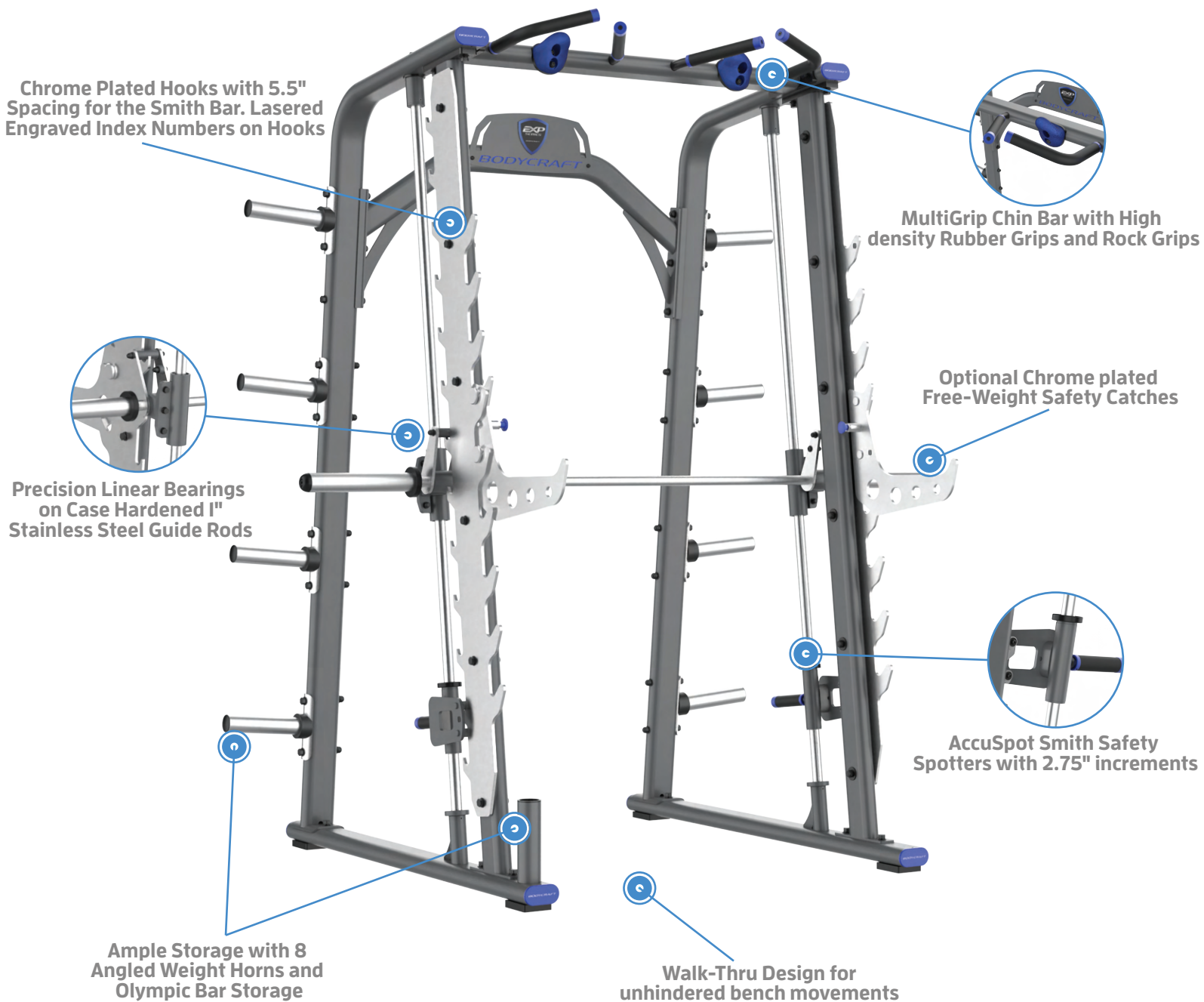




CSM SMITH MACHINE

The CSM is a fusion of a **7-Degree Angled Smith Machine** and a **Barbell Rack System**. The **Walk-Thru Design** eliminates rear cross members, promoting unhindered bench movement and reducing trip hazards. The unique **AccuSpot Smith Safety Spotters** offer **twice as many** incremental settings compared to other Smith Machines. The **Bar Catches roll on Needle Bearings** for optimal safety. Crafted with 1/4" Plate and 11-Gauge Steel, it guarantees reliable performance.





CSM SMITH MACHINE

FEATURES AND SPECIFICATIONS

FRAME	1/4" Laser Cut Plate Steel and 11-Gauge Oval Tubing
PAINT FINISH	Diamond Gray Electrostatic Powder-Coated Finish
HARDWARE	1/2" Hardened Black Steel Fasteners at all Connection Points
LINEAR GUIDE RODS	Case-hardened 1" Solid Stainless Steel Linear Rods
LINEAR BEARINGS	Ultra Smooth Precision Linear Bearing matched to the Linear Rods
BARBELL	45lb Integrated Olympic Barbell with Knurling and a 45lbs starting Weight, 28mm Diameter
AESTHETICS	Blue Aluminum Accents, All black Hardware, Chrome Plated Laser Cuts Hooks
STABILITY	Sits on Non-Skid Rubber Feet
HOOKS & SPOTTERS	Chrome Plated Laser Cut Steel with Laser Engraved Index
SMITH SPACING	Smith Barbell - 5.5" AccuSpot Safety Spotters - 2.75"
BARBELL SPACING	Front Barbell Hooks - 5.9" Optional Safety Catches: 5.9"
STORAGE	8 Chrome Plated Weight Horns and Vertical Olympic Bar Holder
CHIN BAR/ROCK GRIPS	Wide-Classic-Narrow Grips for Pulls-ups and Chin-ups plus Rock Grips
WEIGHT CAPACITY	660lbs (300kgs)
DIMENSIONS	55"L x 80"W x 88"H (63"L w/Safeties) 139.7cm x 203.2cm x 223.56cm (160cm w/Safeties)
WEIGHT	450 lbs / 205 Kgs.

WARRANTY

COMMERCIAL Frame: 10 Years, Parts: 5 Years

ADD-ONS

EXP-CSM-SC	Optional Safety Catches for Front Free Weight Rack
CFI-1	Flat to Incline Bench
F705	Flat, Incline, Decline Bench
F715	Hold Down for F705

