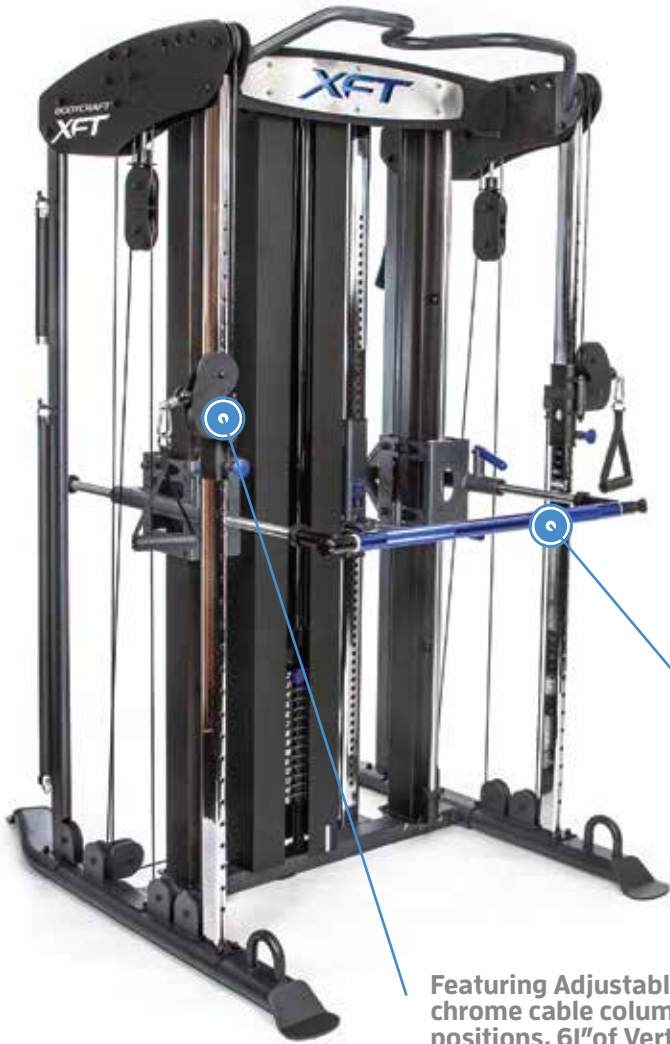


XFT FUNCTIONAL TRAINER

The BODYCRAFT XFT is the most comprehensive Strength Training System ever created. Designed and engineered by BODYCRAFT, the XFT is the latest in strength training technology. The patented XFT fuses Barbell Training with a Functional Training Machine all within a compact 61" X 50" floor space. The XFT was designed to allow you to safely perform virtually countless exercises all in natural and safe fashion.



HIGHLIGHTS

UPWARD & DOWNWARD
RESISTANCE
(UP TO 400LBS)



BARBELL TRAVEL
FORE/AFT & UP/DOWN



ROTATING BLUE
ANODIZED BARBELL



Providing resistance when lifting both up and while pulling /pushing down, with a freely rotating bar, the XFT Barbell smoothly travels in a natural motion both horizontally and vertically through industrial grade linear bearings in a full free range of movement with 20" of free horizontal travel and 60" of vertical travel.

Featuring Adjustable Dual Swiveling Pulleys on chrome cable columns with 32 different height positions, 61" of Vertical Travel, Laser Etched Position Number's, and Laser Cut Position Windows, the XFT provides you with the best Functional Training available.

OPTIONAL ADD-ONS



50LB WEIGHT STACK UPGRADE



F704 FID DUMBBELL BENCH



POWER ROW

CLICK OR
SCAN FOR MORE
INFORMATION



XFT FUNCTIONAL TRAINER

FEATURES AND SPECIFICATIONS

BARBELL	Barbell: Rotating Blue Anodized Barbell
BARBELL CARRIAGE	Counter-Weighted Quick-Adjust Carriage W/ Quick-Set Handle
LOCKING LEVERS	Dual Locking Barbell Levers to lockout Fore-Aft Motion
PULLEYS	Dual Front Adjustable Pulleys. Swiveling Functional Pulleys
HEIGHT POSITIONS	32 Height Positions Laser Etched #'s on Chrome Cable Columns
CHIN BAR	Multi-Grip Chin Up Bar. Uses Include, Pull-Ups, Hanging Ab Straps, Bands, Inversion Boots, Etc.
WEIGHT STACK	150LB Weight Stack (Upgradeable to 200LBS)
WEIGHT RESISTANCE	Double-Up Weight Resistance – 2X Stack Weight
LOWER LOOPS	Lower Loops for Battle Ropes and Exercise Bands
ACCESSORIES	Long Functional Bar, Sports Stick, Triceps Rope, Ankle Strap, Assisted Chin-up Strap, 2 Single Handles, 2 Chains
WORKOUT POSTERS	5 Exercise Posters including Arms, Chest, Core, Back, and Legs.
BARBELL TRAVEL	20" Horizontal Travel – 60" Vertical Travel
BARBELL POSITIONS	64 W/ 1" Increments
BARBELL WIDTH	53"
PULLEY TRAVEL	Functional Swiveling Pulley Vertical Travel- 61.25"
PULLEY POSITIONS	Functional Swiveling Pulley Positions- 32 W/ 2" Increments
CABLE LENGTH	Functional Swiveling Pulley Cable Length – 93"
HARDWARE	Hardened Steel Bolts at All Connection Points
BEARINGS	Industrial Linear Bearings
FINISH	Diamond Gray and Textured Black Powder Coated Heavy Gauge Steel Tubing
ACCENTS	Blue Anodized Aluminum Selector Pins and Pop-Pins and Blue Single Handle Accents
DIMENSIONS	61" L x 50" W x 83" H

WARRANTY

COMMERCIAL	Frame: 10 Years / Parts: 2 Years / Wear items: 6 Months
-------------------	---

