

BODYCRAFT

EXP SERIES™

Dual Leg Extension / Curl (DEC)



For the Owner's Manual
Assembly STEPS in
FULL COLOR
& additional information,
scan this QR code.



Base Serial Number: _____

Purchased Date: ___ / ___ / _____

Dealer's Name: _____

Please register your products at:

<https://www.bodycraft.com/product-registration/>



Owner's Manual

DEC_OM v1.2



WWW.BODYCRAFT.COM



800-990-5556



SERVICE@BODYCRAFT.COM

Congratulations and Welcome to the BODYCRAFT Family

Thank you for selecting BODYCRAFT. Your choice reflects a wise investment in you and your facility. We hope you use it for many healthy years!

BODYCRAFT offers a complete array of high-quality fitness equipment. Please refer to our website at www.bodycraft.com to view more ways to enhance your lifestyle.

Your BODYCRAFT machine has all the quality and design elements to make your workout extremely efficient and comfortable. Your new unit is a serious strength training machine that will keep you motivated, challenged and within reach of your fitness goals. Strength & cardiovascular training is vital for all ages which will provide an effective workout, producing results that will encourage you to reach your fitness goals and maintain the body you have always wanted.

Spending 15 to 30 minutes a day, three times a week, is all you need to start seeing the benefits of a regular exercise program.

As a premium exercise equipment manufacturer, we are committed to your complete satisfaction. If you have questions, suggestions or find missing or damaged parts, we guarantee your complete satisfaction through our authorized dealer network or by contacting us directly. Please call your local dealer or BODYCRAFT.

BODYCRAFT (a division of Recreation Supply, Inc.)
7699 Green Meadows Dr.
Lewis Center, OH 43035

Phone: 800-990-5556 9 am - 5 pm EST **Email:** service@bodycraft.com

Proof of purchase must be supplied to validate warranty and the product must have been registered with BODYCRAFT via online at www.bodycraft.com or by calling 800-990-5556 or 740-965-2442 M-F 9 a.m. - 5 p.m. EST.

For parts orders, owner's manuals, software update files, exercise guides and contact information scan this QR code.

Or go to:

<https://www.bodycraft.com/customer-support>

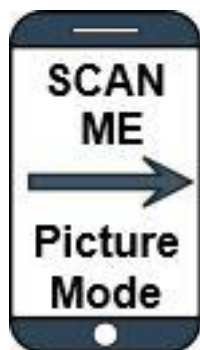


Table of Contents, Dual Leg Ext / Curl (DEC)



NOTE: When you have downloaded the Owner's Manual into a PDF reader, go directly to the desired page by touching any **BLUE** line in this Table of Contents.

Product Safety Information	Page
Product Safety	4
Important Notes, Recommended Tools & Cleaners	5
Warning Labels, Maintenance Schedule - Details.....	6
Warning Labels, Maintenance Schedule - Placements	7 - 8
 Product Overview	
Machine Dimensions & Recommended Training Area	9
Assembly Parts & Hardware List.....	10 - 11
Shipping Boxes Dims & What's Inside.....	12
 Product Assembly	
Pre-Assembly Tips	13
STEP 1 - STEP 11.....	14 - 26
STEP 12 - Final Assembly Clean Up & Polish.....	27
 Maintenance & Repair	
Routine Schedule	28
General & Cable Inspections	29
Lubrication Maintenance	30
Strength Cable Wear Indicators	31
Detailed Parts Exploded View.....	32
Detailed Parts List	33 - 36
Required Info BEFORE Initiating a Service Case	37
 Warranty	
Product Warranty	38
Product Warranty Registration	39
Contact Us Information	40

Product Safety - Functional Trainers, Duals & Multi-Gyms



There is a risk assumed by individuals who use this type of equipment. A moment's lack of attention can result in an accident, as can failure to observe certain simple safety precautions.

Read, study and understand the Assembly Instructions and all the warning labels on this product. Furthermore, it is recommended to familiarize yourself and others with the proper operation and workout recommendations for this BODYCRAFT product prior to use.

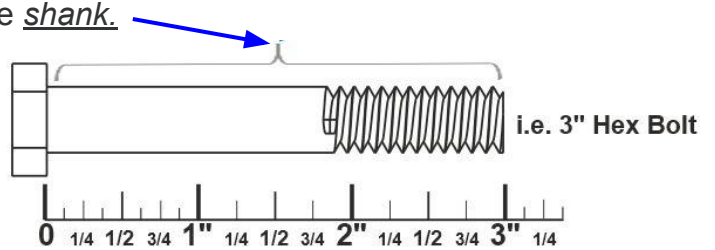
- Before beginning this or any other exercise program, consult your physician. This is especially important for individuals over the age of 35 or persons with preexisting health problems. Recreation Supply, Inc. assumes no responsibility for personal injury or property damage sustained by or through use of this product.
- Exercise with care to avoid injury. Do not attempt to lift more weight than you can control safely.
- This product must be assembled on a flat, level surface to assure its proper function.
- Clean pads and frame on a regular basis. We recommend warm, soapy water. Do not use harsh or abrasive chemicals.
- Inspect and tighten all parts before every use. Replace any worn parts immediately. Failure to do so may result in serious injury.
- Keep children away from any BODYCRAFT strength machines at all times.
- Keep your hands away from cables and pulleys during operation, other than the designated handles.
- Keep hands, limbs, loose clothing and long hair well out of the way of moving parts.
- Make certain all cables are seated within the pulleys before every use. Frayed or worn cables can be dangerous and may cause injury. Periodically check the cable for any indication of wear.
- Inspect the unit for any sign of wear on parts, hardware becoming loose or cracks on welds. If a problem is found, do not use or allow the machine to be used until the defective part is repaired or replaced.
- It is imperative that you retain this Assembly Instructions and be sure all warning labels are legible and intact. Replacement Assembly Instructions and labels are available from BODYCRAFT. If you are unsure about the proper use of the BODYCRAFT strength machine call your local BODYCRAFT dealer or our Customer Service Department. Contact BODYCRAFT at 800-990-5556 or support@bodycraft.com



Important Notes, Recommended Tools & Cleaners, Dual Leg Ext / Curl (DEC)

Important Notes and Tips:

1. Before assembly, read all instructions thoroughly and preview diagrams to help make the installation easier.
2. Make sure all parts are accounted for and in proper condition before beginning assembly. See the parts list.
3. Be cautious not to damage the flooring when assembling. Place a protectant down such as a rubber mat or shipping blanket.
4. Let plastics and weight stacks acclimate to room temperature before you begin assembly.
5. Two people are recommended for the safe assembly of this equipment.
6. Insert all bolts in the same direction when possible. Do not tighten until instructed.
7. Carefully install plastic caps using a rubber mallet.
8. When measuring bolt lengths, only measure the *shank*.
9. When the installation is complete, be sure to regularly check for rust or damage, and perform preventative maintenance.



THE FOLLOWING TOOLS ARE RECOMMENDED FOR ASSEMBLY:



**SOCKET SET 3/8 DRIVE
& 6" EXT**
(Only a 9/16 is needed)



**OPEN/CLOSED 9/16 WRENCH,
ADJUSTABLE WRENCH,
& SNAP RING PLIERS**
(Only a 0.09-inch (2.3mm) TIP is needed)



**TORQUE WRENCH
3/8 DRIVE**
(w/ 4mm, 7/32 & 1/4
Hex Bit Socket)



**RUBBER MALLET &
ALLEN WRENCH SET**
(w/ 4mm, 7/32 & 1/4 are
needed)

THE FOLLOWING IS RECOMMENDED FOR CLEANING:



**MILD CLEANING
SOLUTION**



**100% COTTON
CLEANING CLOTHS**

TIP ON FRAME ONLY: For extra protection from fingerprints, sweat stains or just plain dirt, apply an automotive grade cleaner wax if desired. Also makes future cleaning easier.



(Do Not Use on the Upholstery)

Carefully read ALL warning, caution & maintenance schedule labels



(108)



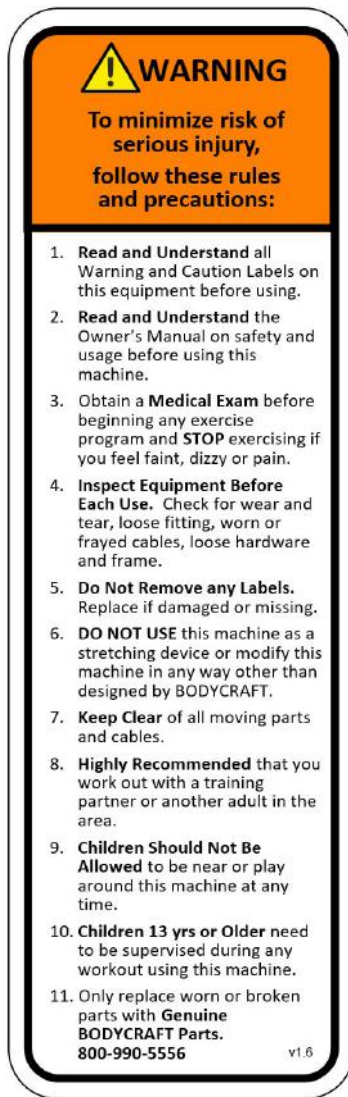
(109)



(110)



(111)



(112)



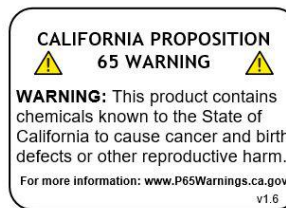
(113)



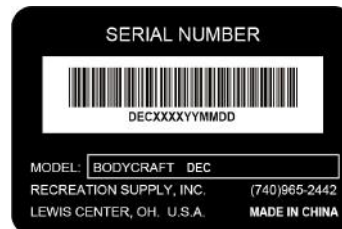
(114)



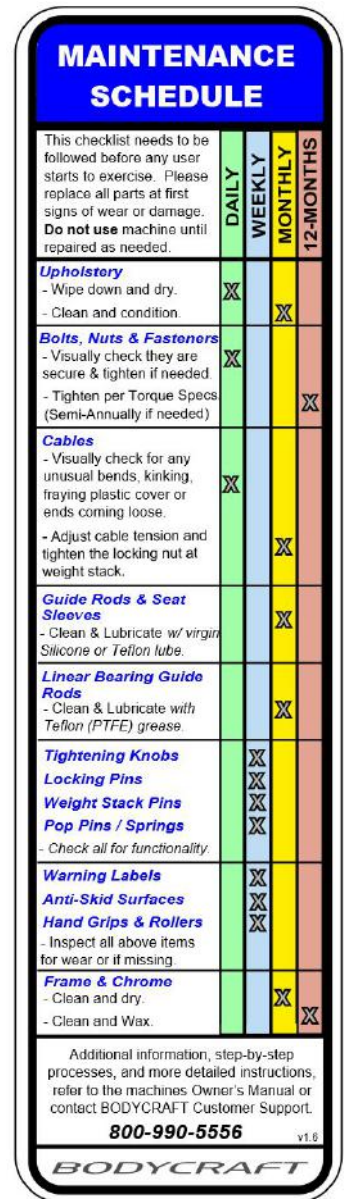
(115)



(118)



(120)



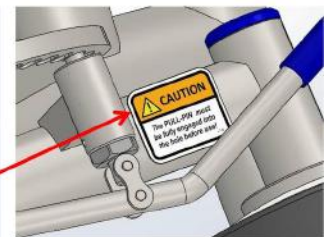
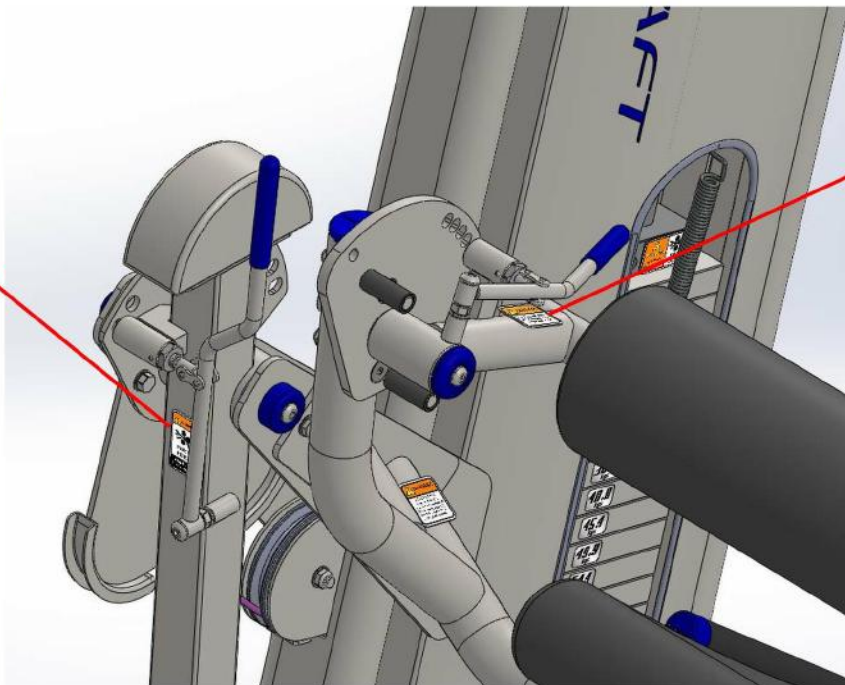
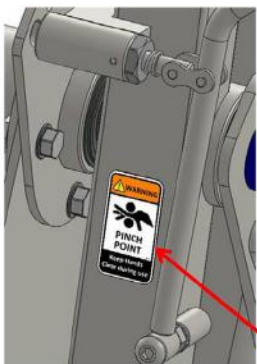
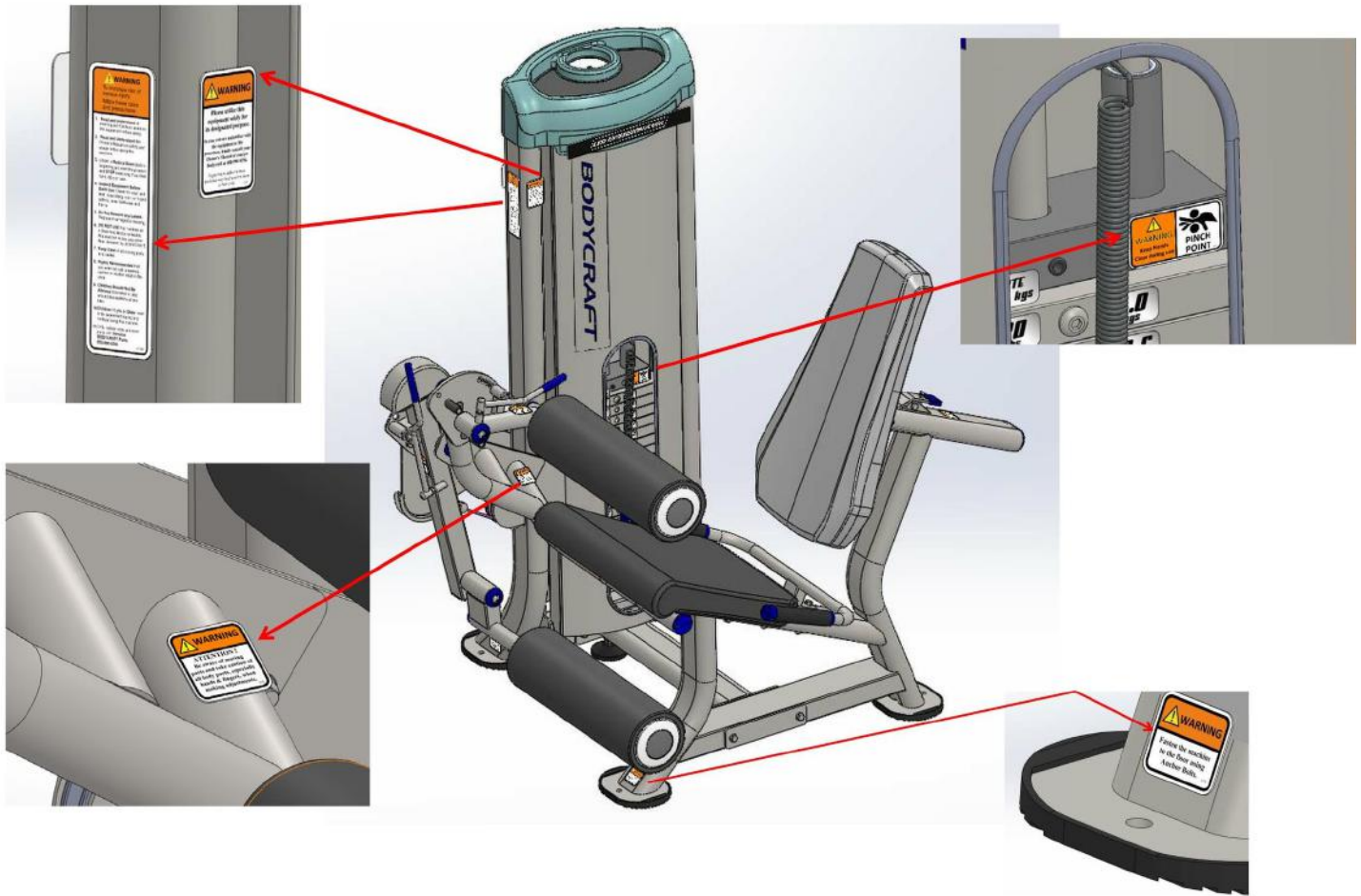
(117)



(121)

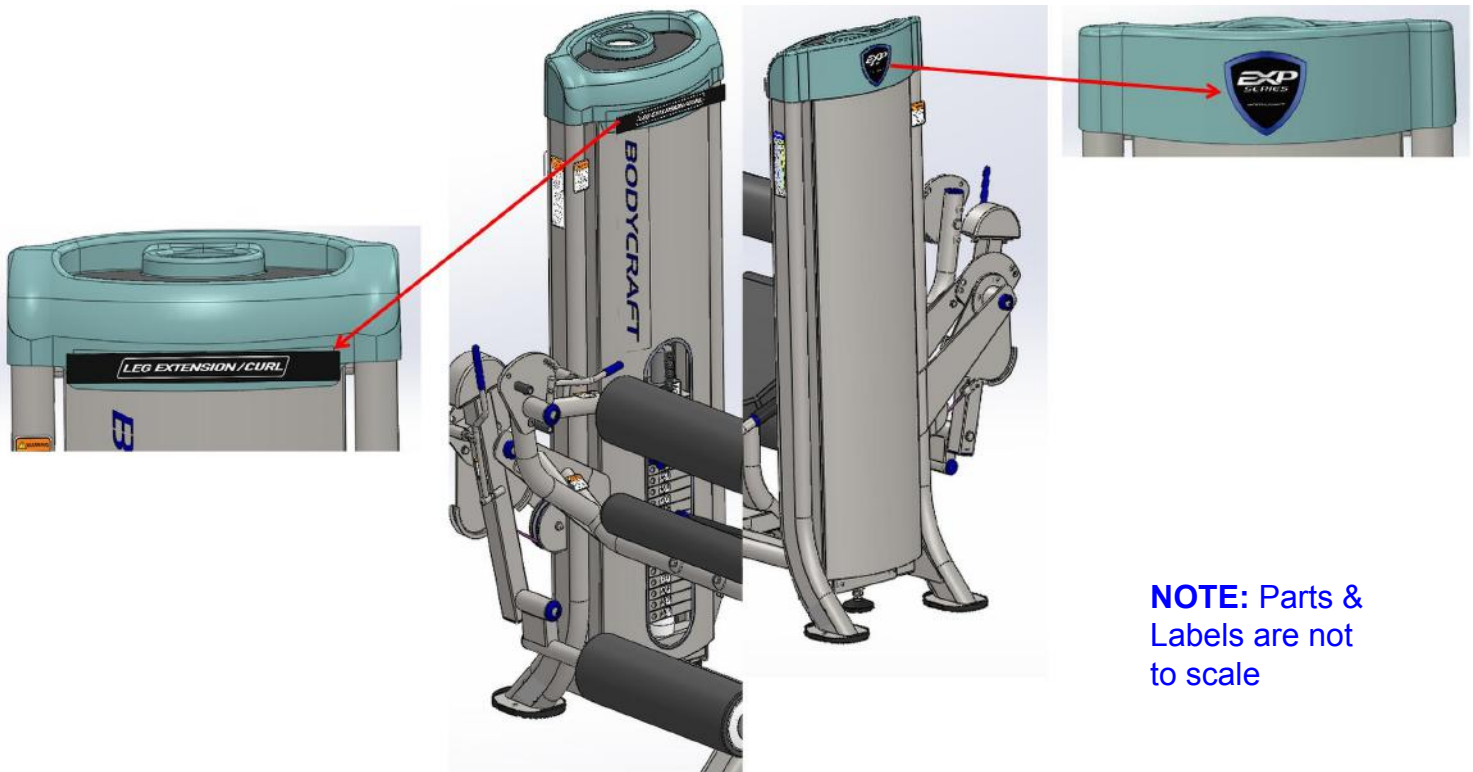
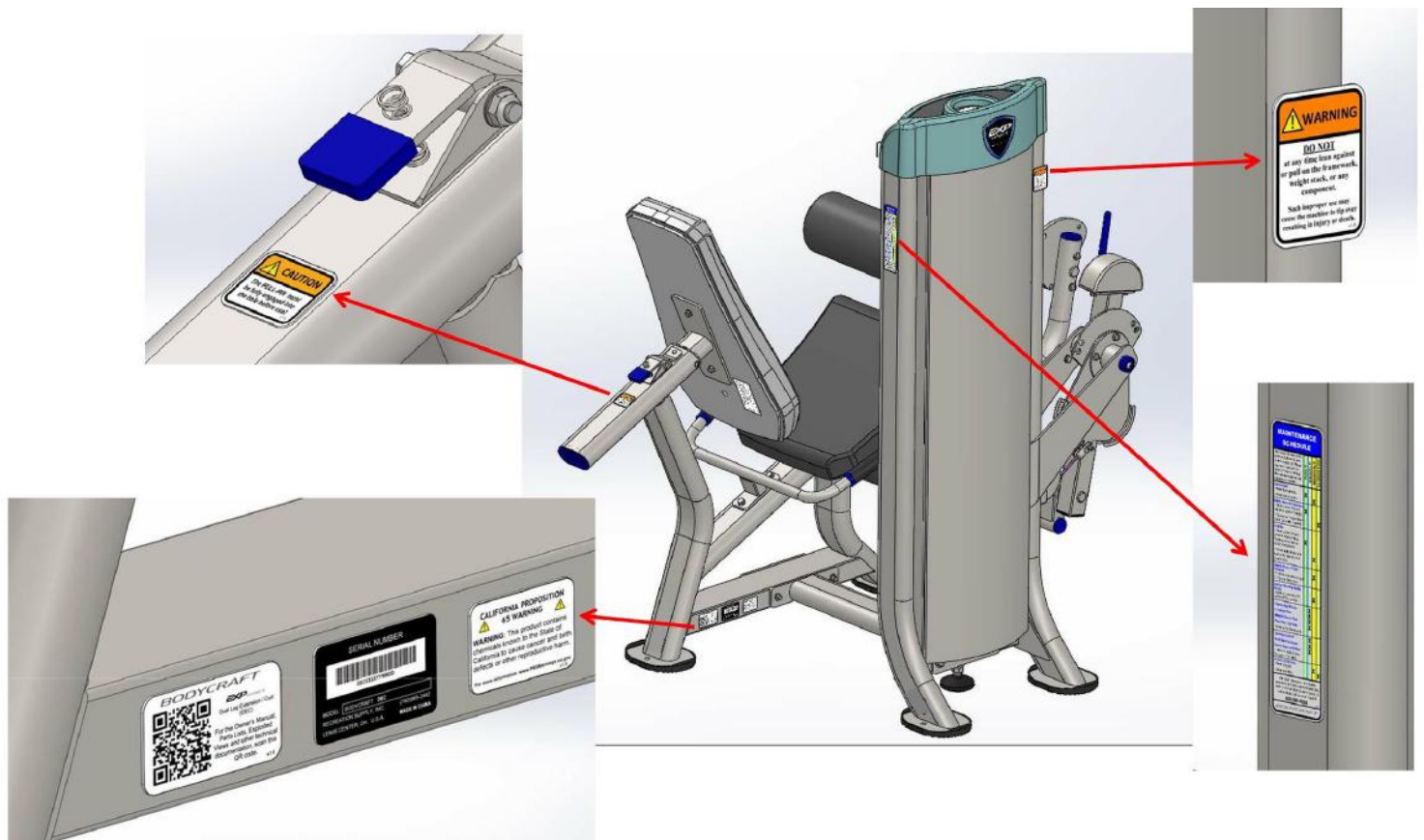
NOTE: Labels are not to scale

Carefully read ALL warning, caution & maintenance schedule labels



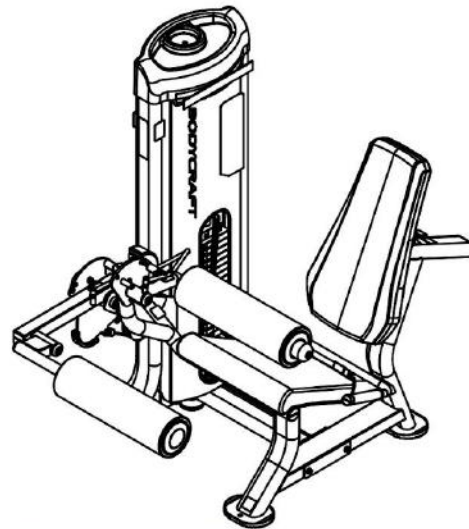
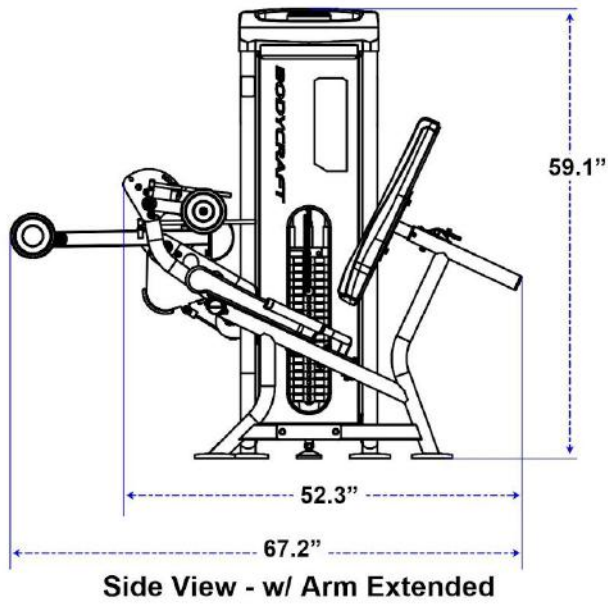
NOTE: Parts & Labels are not to scale

Carefully read ALL warning, caution & maintenance schedule labels



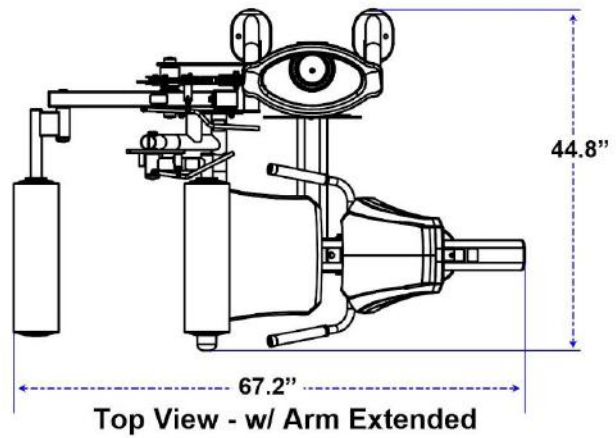
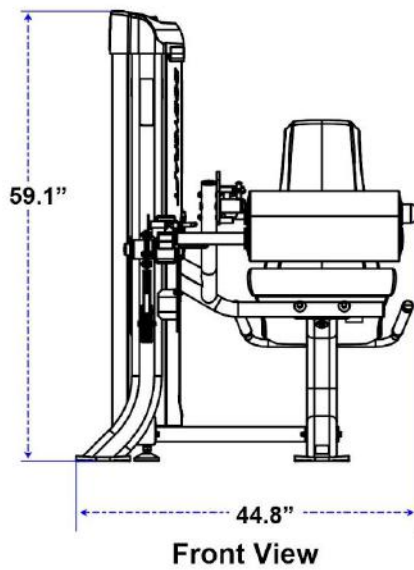
NOTE: Parts & Labels are not to scale

Machine Dimensions & Recommended Training Area, DEC



DEC Overall Dimensions

w/ Arm Extended: 67.2" L x 44.8" W x 59.1" H
 (170.7 cm L x 113.8 cm W x 150.1 cm H)

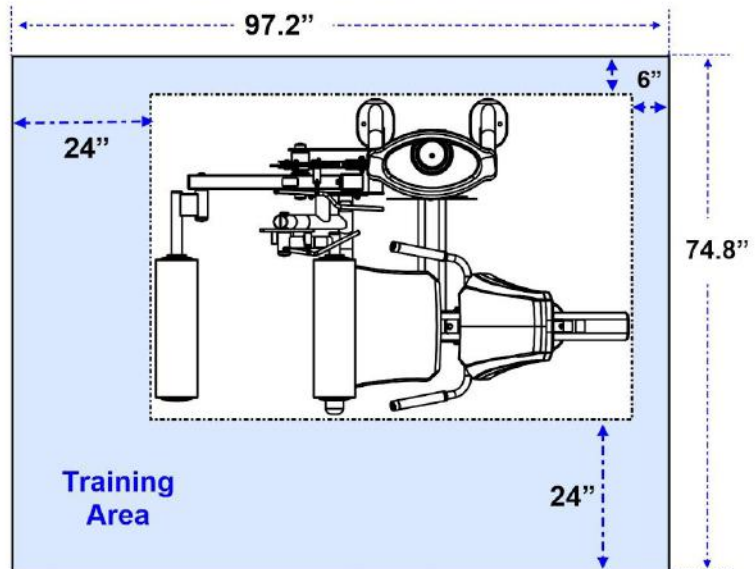


Recommended Training Area

97.2" L x 74.8" W
 (247 cm L x 190 cm W)

Right Side & Back: 6" (15.3 cm)

Left Side & Front: 24" (61 cm)

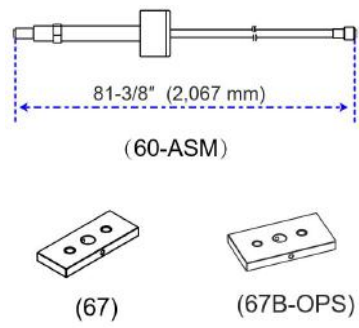
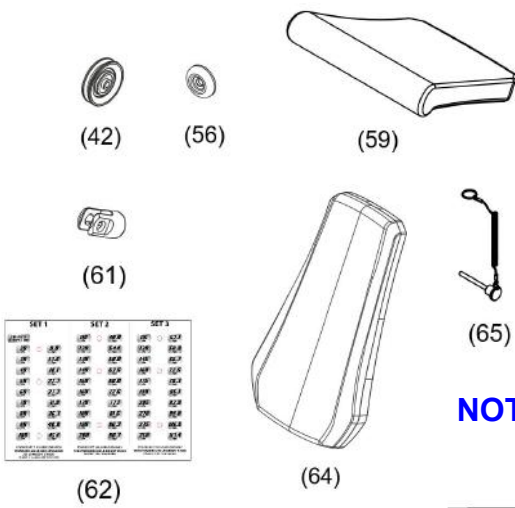
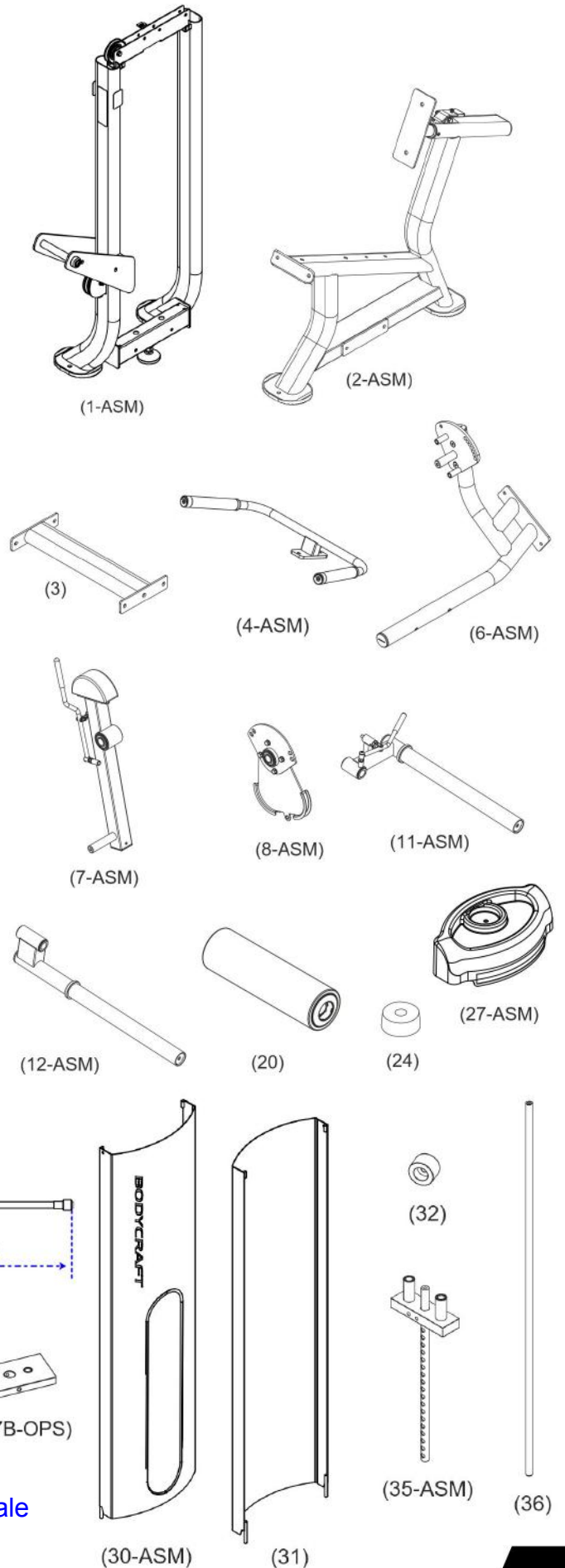


ADA Compliant

For ADA Compliance under #1004
 Exercise Machines and Equipment:

Minimum of 36" for entry, use & exit
 of machine required. Add 12" in the
 Training Area where needed.

Part #	Assembly Parts List	QTY
DEC-001-ASM	Frame, Weight Stack - Assembly	1
DEC-002-ASM	Frame, Main - Assembly	1
DEC-003	Frame, Connector, Bottom	1
DEC-004-ASM	Frame, Handlebar - Assembly	1
DEC-006-ASM	Frame, Top Cross Brace, from Weight Stack Frame to Main Frame - Assembly	1
DEC-007-ASM	Frame, Rotating Pivot Arm - Assembly	1
DEC-008-ASM	Rotary Cam - Assembly	1
DEC-011-ASM	Support Tube, Upper, for the Thigh Pad (upper for Thigh hold down) - Assembly	1
DEC-012-ASM	Support Tube, Lower, for the rotating Leg Ext / Curl Bar w/ pad (lower for Ext and Curl) - Assembly	1
DEC-020	Roller, Upholstered Foam, 6" OD x 20" L	2
DEC-024	Rubber Cushion for Weight Stack	4
DEC-027-ASM	Weight Stack Shroud Cover, Top - Assembly	1
DEC-030-ASM	Weight Stack Shroud Cover, Front - Assembly	1
DEC-031	Weight Stack Shroud Cover, Rear	1
DEC-035-ASM	Top Plate - Assembly	1
DEC-036	Guide Rod for Weight Stack, 0.75" OD x 50.3" L, 3/8" 3/8" Inner Thread on One End	2
DEC-042	Pulley, 90mm (3-1/2") x ø26mm ID	1
DEC-056	End Cap, Aluminum, Thin - BLUE	2
DEC-059	Pad, Seat	1
DEC-060-ASM	Cable, Main 81-3/8" (2,067mm) L - Assembly	1
DEC-061	Clevis Bracket for Cable End attachment, 24mm OD x 47mm L	1
DEC-062	Sticker Set for Weight Stack, for 200 lb or 250 lb Stacks	1
DEC-064	Pad, Back	1
DEC-065	Selector Pin w/ Lanyard, Aluminum - BLUE	1
DEC-067	Weight Plate, 10 lbs (4.5kg), Standard 200 lb Weight Stack	19
DEC-67B-OPT	OPTION - Weight Plate, 15 lbs (6.8kg), Upgraded 250 lb Weight Stack w/ 9 each #67 Plates	10

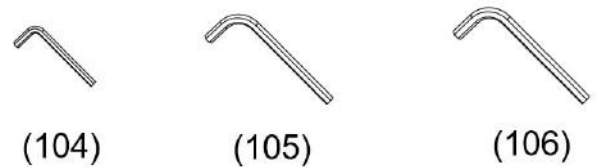
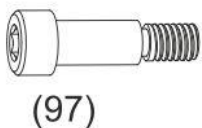
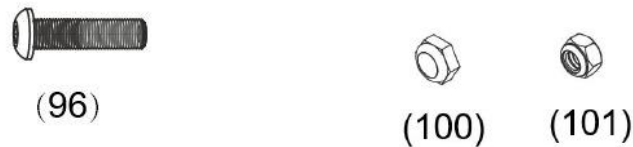
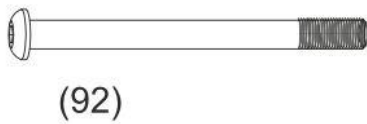
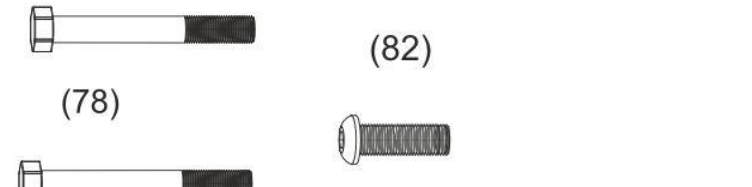
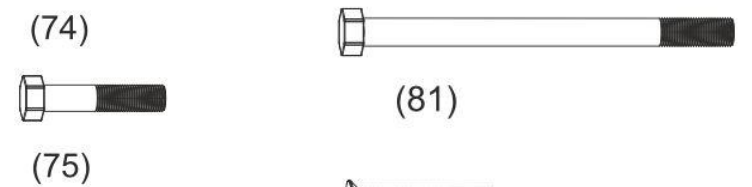
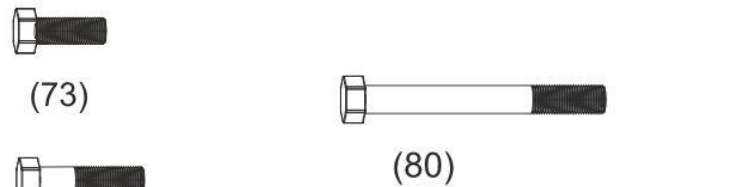
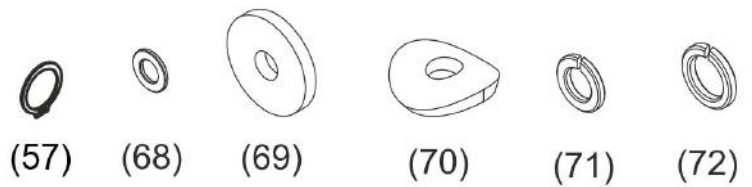
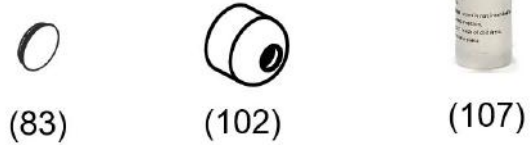


NOTE: Parts are not to scale

NOTE: For a complete service parts list, please refer to the detailed parts list & exploded view at the rear of this manual.

Part #	Assembly Parts List	QTY
DEC-083	End Cap, for Roller - BLUE	1
DEC-102	End Cap, Nylon - BLK	1
DEC-107	Silicone Lube Bottle, for Guide Rods	1

Part #	Assembly Hardware List	QTY
DEC-057	Snap Ring, Retaining Clip for Shaft	2
DEC-068	Washer, Flat, 3/8"	23
DEC-069	Washer, Flat, Large, 3/8"	4
DEC-070	Washer, Arc, Large, Φ10, R25	2
DEC-071	Washer, Spring, 3/8"	9
DEC-072	Washer, Spring, 1/2"	1
DEC-073	Bolt, Hex, 3/8" x 1" L	4
DEC-074	Bolt, Hex, 3/8" x 1-1/2" L	2
DEC-075	Bolt, Hex, 3/8" x 1-3/4" L	1
DEC-078	Bolt, Hex, 3/8" x 2-7/8" L	4
DEC-079	Bolt, Hex, 3/8" x 3" L	2
DEC-080	Bolt, Hex, 3/8" x 3-1/4" L	2
DEC-081	Bolt, Hex, 3/8" x 5" L	2
DEC-082	Bolt, Recessed Countersunk Head, M6 x 50mm L	1
DEC-089	Bolt, Recessed Flat Head, 3/8" x 1-1/4" L	2
DEC-092	Bolt, Recessed Flat Head, 3/8" x 4-1/2" L	1
DEC-096	Bolt, Recessed Flat Head, 3/8" x 1-1/2" L	1
DEC-097	Bolt, Shoulder, 5/16" x φ9.5mm x 19mm L	1
DEC-100	Nut, Nylon Lock, Thin, 3/8"	12
DEC-101	Nut, Nylon Lock, Thick, 5/16"	1
DEC-104	Wrench, Hex, 4mm	1
DEC-105	Wrench, Hex, 7/32"	1
DEC-106	Wrench, Hex, 1/4"	1



NOTE: Parts are not to scale

Shipping Boxes & What's Inside Each One, Dual Leg Ext / Curl (DEC)

Large Box 1 of 2

Net Weight: 161 lbs (73 KG)

Gross Weight: 177 lbs (80 KG)

Box Size: 60" L x 38" W x 12" H
(1,510mm L x 940mm W x 290mm H)



Large Box 2 of 2

Net Weight: 133 lbs (60 KG)

Gross Weight: 150 lbs (68 KG)

Box Size: 60" L x 35" W x 16" H
(1,500mm L x 865mm W x 395mm H)



Small Boxes 3 ea. (total)

Standard 200 lb Stack

1 box, 4ea of 10 lb plates = **40 lbs per CWP10(4) box**

3 box, 5ea of 10 lb plates = **50 lbs per CWP10(5) box**



Upgraded to 250 lb Stack?

1 box, 4ea of 10 lb plates = **40 lbs per CWP10(4) box**

1 box, 5ea of 10 lb plates = **50 lbs per CWP10(5) box**

2 boxes, 5ea of 15 lb plates = **75 lbs per CWP15(5) box**

CWP10(4) Size: 11" L x 5" W x 5" H ea.
(264mm L x 110mm W x 115mm H)

CWP10(5) Size: 11" L x 5" W x 6" H ea.
(264mm L x 110mm W x 140mm H)

CWP15(5) Size: 13" L x 6" W x 6" H ea.
(310mm L x 130mm W x 140mm H)

BODYCRAFT reserves the right to make improvements at any time which may affect color, parts, materials, size, weight, or any other aspect.

PREASSEMBLY TIP #1 – “Stage Right”.

During the assembly process we will be stating Right, Left, Front, Back, Top, or Bottom. These all are in the perspective of the user in the machine facing outward with feet on the ground.

See below images as examples.



STAGE RIGHT DEFINITION: Both “Stage Right” or “Stage Left” are from the viewpoint of the actor facing outward from the stage.



PREASSEMBLY TIP #2 – Unpacking & organizing.

The best practice in assembly is to take all the parts out of the boxes & bags and line up in order of assembly. This enables a mindset of what you will be assembling, their physical sizes and what challenges you might face BEFORE you begin.

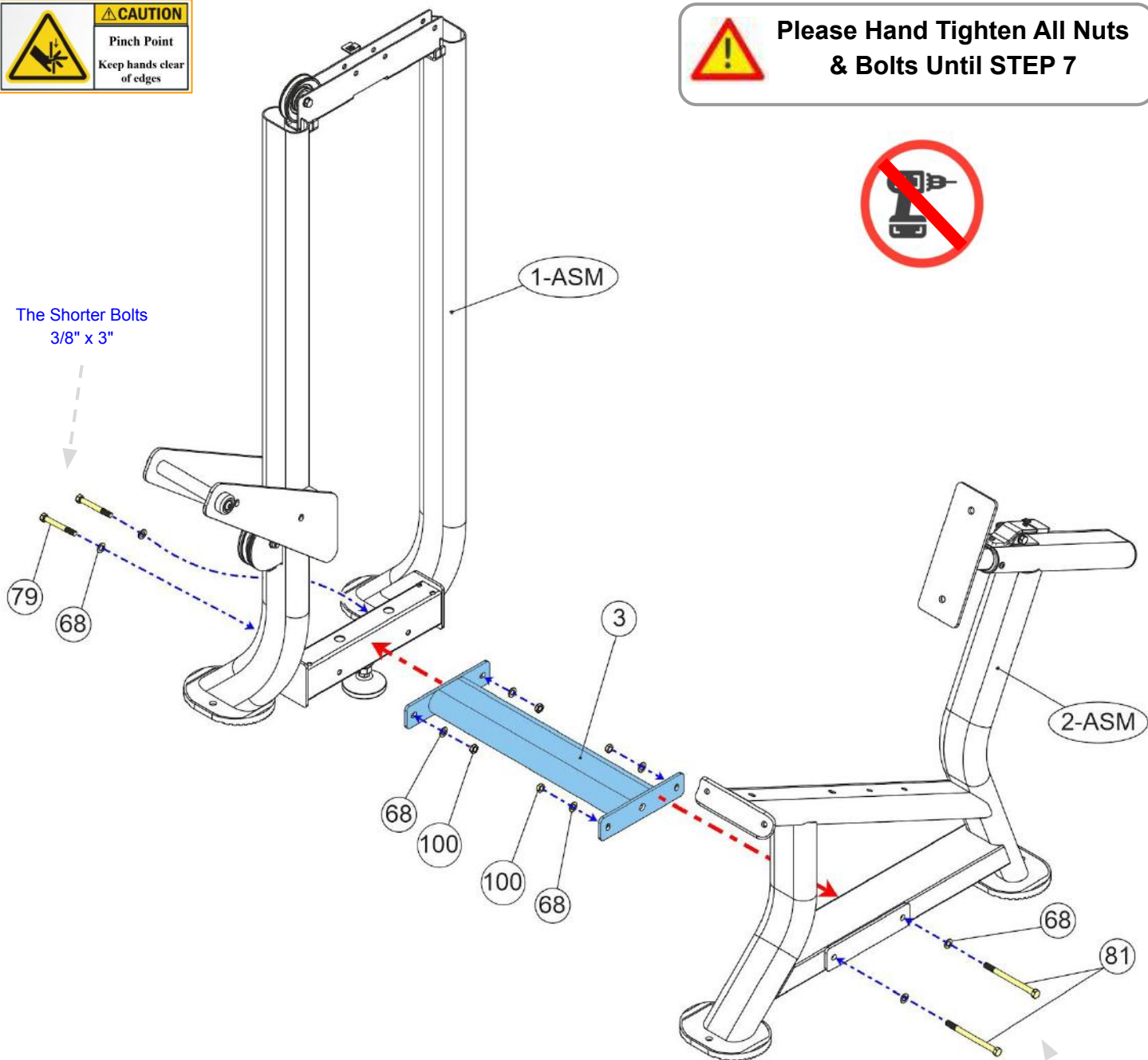


PREASSEMBLY TIP #3 – Keep hardware loose until asked to tighten.

During the assembly, hardware needs to be finger tight until the STEPS of “Torque Time”. This will ensure sub-frame and other parts will easily fit together and not strip out bolt threads during assembly.

Product Assembly, Dual Leg Ext / Curl (DEC)

STEP 1: Install Weight Stack Frame & Main Frame w/ the Bottom Connector Frame



The Longer Bolts
3/8" x 5"

Part #	Assembly Parts List	QTY
DEC-001-ASM	Frame, Weight Stack - Assembly	1
DEC-002-ASM	Frame, Main - Assembly	1
DEC-003	Frame, Connector, Bottom	1
DEC-068	Washer, Flat, 3/8"	8
DEC-079	Bolt, Hex, 3/8" x 3" L	2
DEC-081	Bolt, Hex, 3/8" x 5" L	2
DEC-100	Nut, Nylon Lock, Thin, 3/8"	4

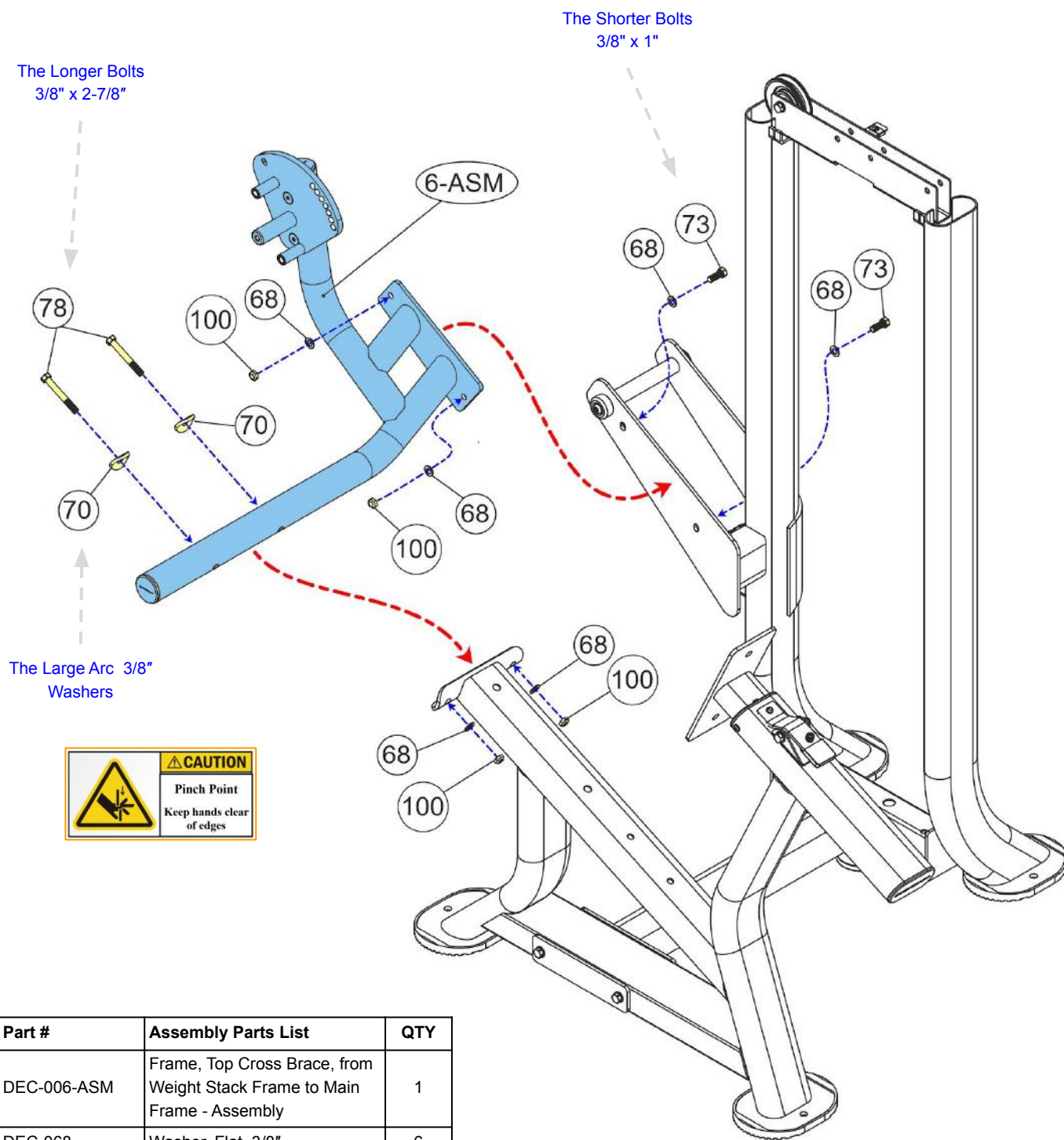
View Keys
Red dotted (large): Structural parts assembled direction.
Red dotted (med): Sub-parts assembled direction.
Blue dotted lines (small): Hardware assembled direction.
Orange (med): Cables are normally black, but easier to see in color.

Product Assembly, Dual Leg Ext / Curl (DEC)

STEP 2: Install Top Cross Brace Frame



Please Hand Tighten All Nuts & Bolts Until STEP 7



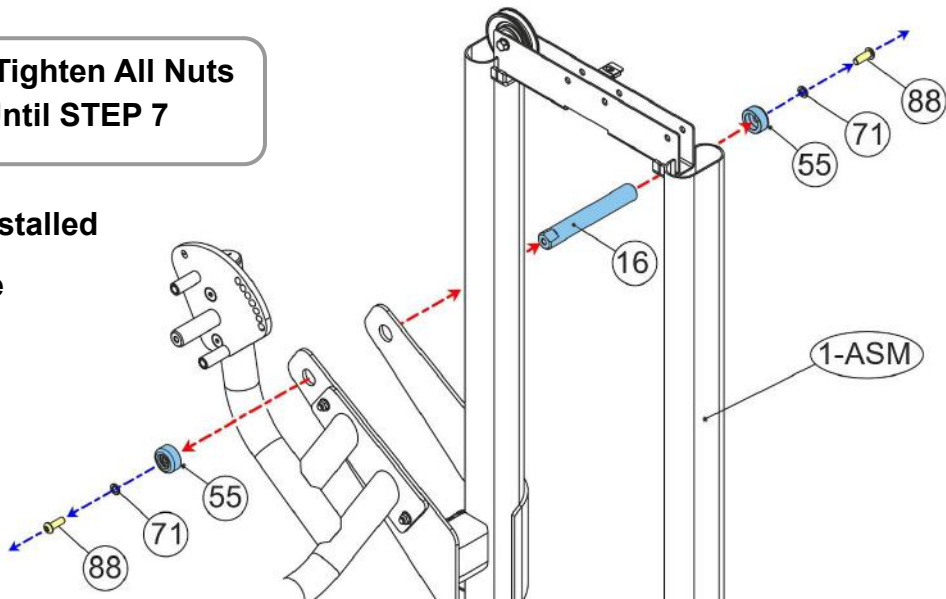
Part #	Assembly Parts List	QTY
DEC-006-ASM	Frame, Top Cross Brace, from Weight Stack Frame to Main Frame - Assembly	1
DEC-068	Washer, Flat, 3/8"	6
DEC-070	Washer, Arc, Large, $\Phi 10$, R25	2
DEC-073	Bolt, Hex, 3/8" x 1" L	2
DEC-078	Bolt, Hex, 3/8" x 2-7/8" L	2
DEC-100	Nut, Nylon Lock, Thin, 3/8"	4

Product Assembly, Dual Leg Ext / Curl (DEC)

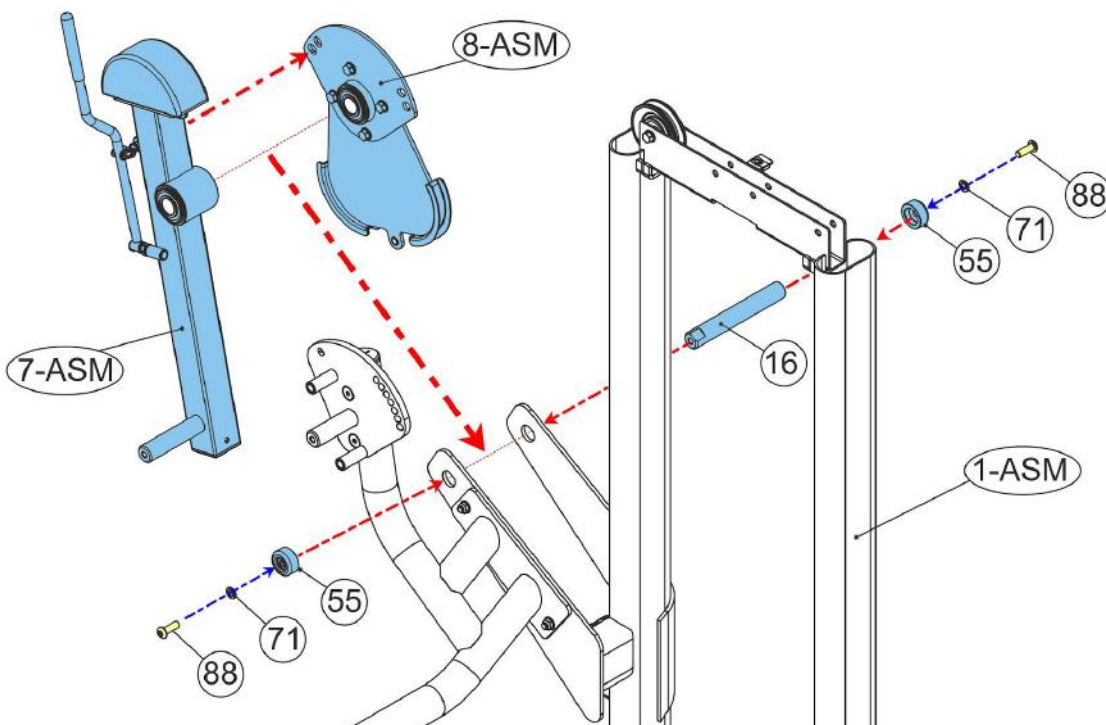


Please Hand Tighten All Nuts & Bolts Until STEP 7

STEP 3a: Removal of the Pre-Installed Axle, Alum End Caps & Hardware



STEP 3b: Install Rotating Pivot Arm & Rotary Cam Assemblies



Flat notch through right side to left side.



CAUTION: The Rotating Pivot Arm & Cam Assemblies are large and awkward to install while lining up the Axle. Find a friend to help with STEP 3b to ensure a happier and longer life during the rest of the assembly process!

Part #	Pre-Installed, Assembly Parts List	QTY
DEC-016	Axle, for Rotating Arm and Cam, w/ One Side Flat Notch, 1" OD x 3/8" Threaded ID x 178mm (PRE-INSTALLED)	1
DEC-055	End Cap, Aluminum - BLUE (PRE-INSTALLED)	2
DEC-071	Washer, Spring, 3/8" (PRE-INSTALLED)	2
DEC-088	Bolt, Recessed Flat Head, 3/8" x 1-1/8" L (PRE-INSTALLED)	2
DEC-007-ASM	Frame, Rotating Pivot Arm - Assembly	1
DEC-008-ASM	Rotary Cam - Assembly	1

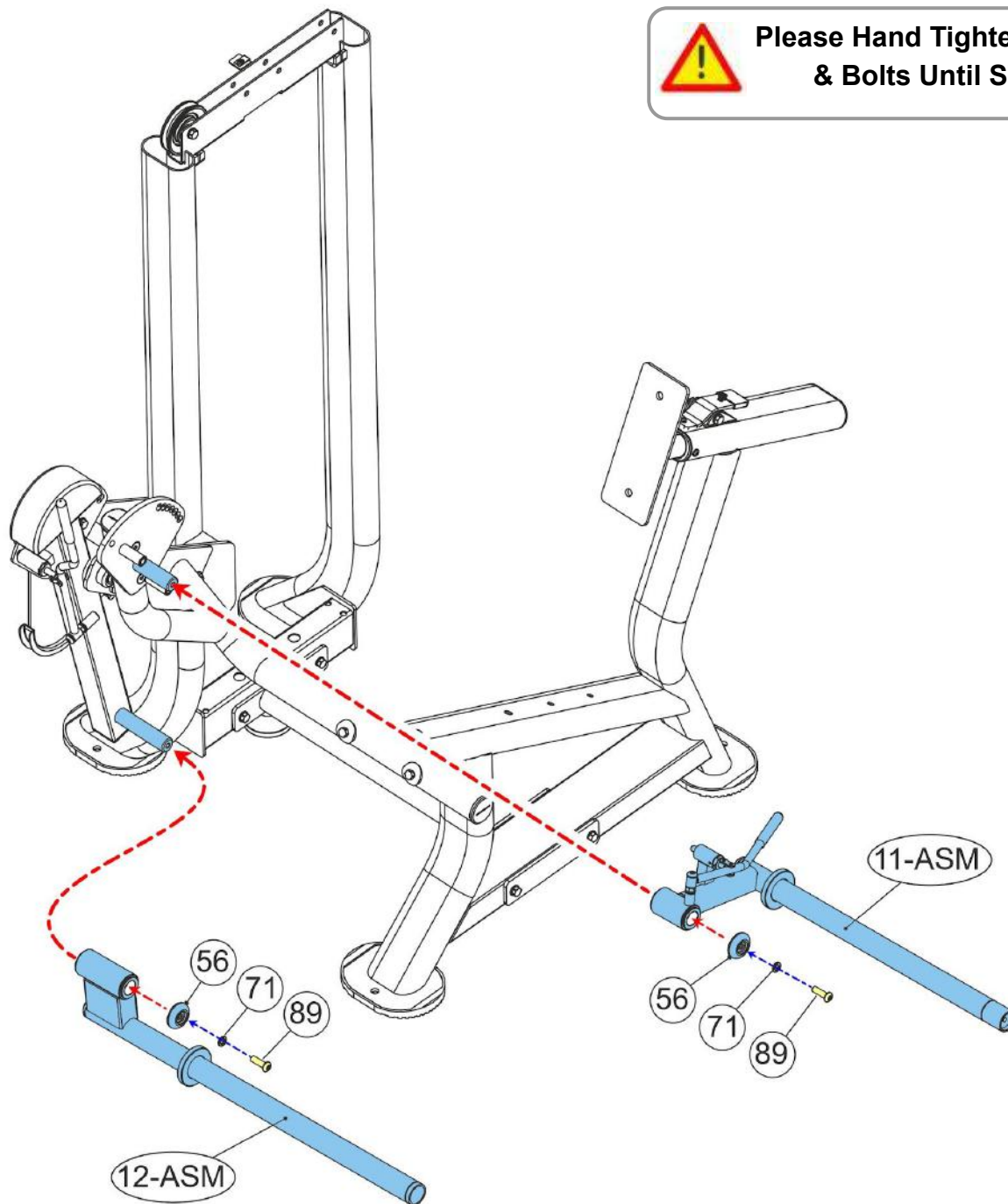
Recommended Tool:



RUBBER MALLET

STEP 4: Install Upper & Lower Support Tubes

 Please Hand Tighten All Nuts & Bolts Until STEP 7



Part #	Assembly Parts List	QTY
DEC-011-ASM	Support Tube, Upper, for the Thigh Pad (upper for Thigh hold down) - Assembly	1
DEC-012-ASM	Support Tube, Lower, for the rotating Leg Ext / Curl Bar w/ pad (lower for Ext and Curl) - Assembly	1
DEC-056	End Cap, Aluminum, Thin - BLUE	2
DEC-071	Washer, Spring, 3/8"	2
DEC-089	Bolt, Recessed Flat Head, 3/8" x 1-1/4" L	2

Product Assembly, Dual Leg Ext / Curl (DEC)

STEP 5a: Install & Lube Guide Rods, Rubber Cushions, Weight Plates. & Top Plate-ASM

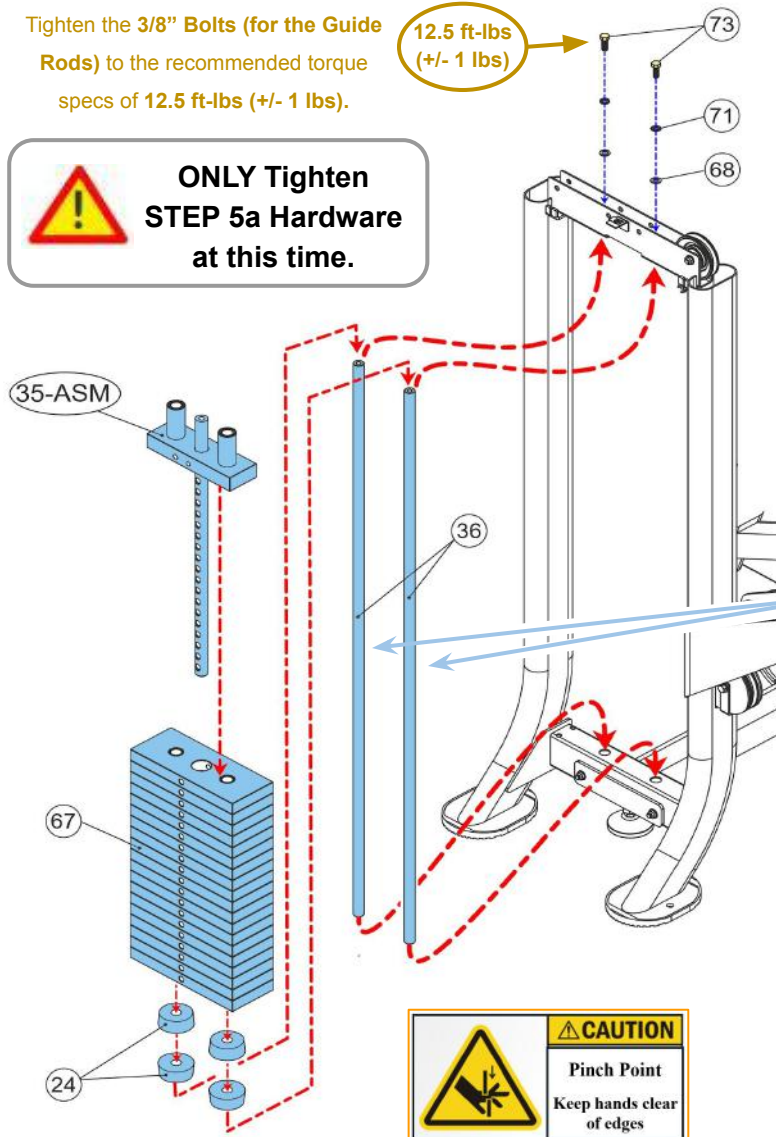
Part #	Assembly Parts List	QTY
DEC-024	Rubber Cushion for Weight Stack	4
DEC-035-ASM	Top Plate - Assembly	1
DEC-036	Guide Rod for Weight Stack, 0.75" OD x 50.3" L, 3/8" 3/8" Inner Thread on One End	2
DEC-067	Weight Plate, 10 lbs (4.5kg), Standard 200 lb Weight Stack	19
DEC-67B-OPT	OPTION - Weight Plate, 15 lbs (6.8kg), Upgraded 250 lb Weight Stack w/ 9 each #67 Plates	10
DEC-107	Silicone Lube Bottle, for Guide Rods	1
DEC-068	Washer, Flat, 3/8"	2
DEC-071	Washer, Spring, 3/8"	2
DEC-073	Bolt, Hex, 3/8" x 1" L	2

Tighten the 3/8" Bolts (for the Guide Rods) to the recommended torque specs of 12.5 ft-lbs (+/- 1 lbs).

12.5 ft-lbs (+/- 1 lbs)



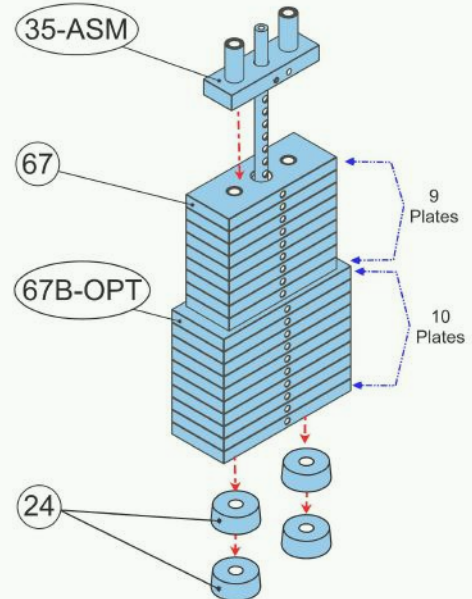
ONLY Tighten STEP 5a Hardware at this time.



Standard 200 lb stack use the following:

1 box, 4ea of 10 lb plates = 40 lbs per CWP10(4) box
 3 box, 5ea of 10 lb plates = 50 lbs per CWP10(5) box

Upgraded to 250 lb stack use the following:



1 box, 4ea of 10 lb plates = 40 lbs per CWP10(4) box
 1 box, 5ea of 10 lb plates = 50 lbs per CWP10(5) box
 2 boxes, 5ea of 15 lb plates = 75 lbs per CWP15(5) box

NOTE: Confirm the 15 lb weights are the lower half of the stack.



100% PURE SILICONE LUBE



100% COTTON CLEANING CLOTH

NOTE: Lightly lubing the Guide Rods is a great practice to do at this STEP, but also during scheduled times for preventive maintenance measure.

- Doing this before the weight stack goes on and blocks the potential "dry" part of the Guide Rods, ensures they are lubed.
- Ensures that the Weight Plates internal bushing get a "break-in" lube for a quiet & longer life operation.
- Add protection to the Guide Rods (6) from future potential surface rust in the higher humidity environments.

Product Assembly, Weight Stack Stickers Installation, Dual Leg Ext / Curl (DEC)

STEP 5b: Clean Weight Stack



MINIMUM 65 DEGREES & LOW HUMIDITY



RUBBING ALCOHOL

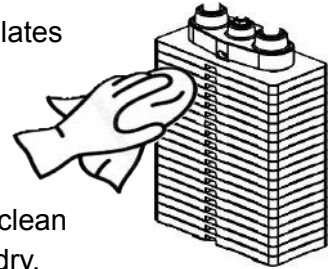


CLEAN COTTON CLOTH

IMPORTANT: Before installing the weight stack stickers, it is important to let the weight plates acclimate to room temperature.

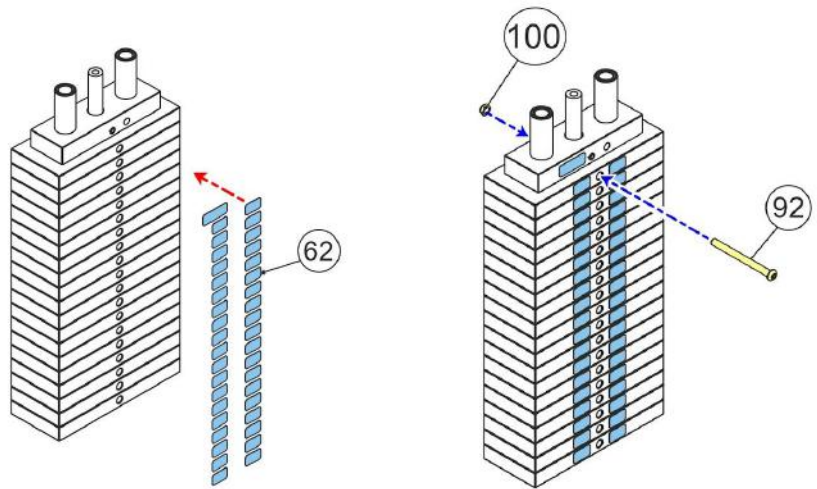
Clean Top Plate & Weight Plates front surface with:

- Rubbing Alcohol
- Clean Cotton Cloth.



Then wipe dry with another clean cloth or allow to completely air dry.

STEP 5c: Install Weight Stack Stickers and #92 (6mm Bolt) into the 20 lb hole



Standard 200 lb = Sticker Set 1 & 2
Optional 250 lb = Sticker Set 1 & 3

SET 1	SET 2	SET 3
TOP PLATE 10 lbs/4.5 kgs		
20 lbs / 9.0 kgs	110 lbs / 49.9 kgs	115 lbs / 52.1 kgs
30 lbs / 13.6 kgs	120 lbs / 54.4 kgs	130 lbs / 58.9 kgs
40 lbs / 18.1 kgs	130 lbs / 59.0 kgs	145 lbs / 65.7 kgs
50 lbs / 22.7 kgs	140 lbs / 63.5 kgs	160 lbs / 72.5 kgs
60 lbs / 27.2 kgs	150 lbs / 68.0 kgs	175 lbs / 79.3 kgs
70 lbs / 31.8 kgs	160 lbs / 72.6 kgs	190 lbs / 86.1 kgs
80 lbs / 36.3 kgs	170 lbs / 77.1 kgs	205 lbs / 92.9 kgs
90 lbs / 40.8 kgs	180 lbs / 81.6 kgs	220 lbs / 99.8 kgs
100 lbs / 45.4 kgs	190 lbs / 86.2 kgs	235 lbs / 106.6 kgs
	200 lbs / 90.7 kgs	250 lbs / 113.4 kgs

STICKER SET 1 IS USED FOR BOTH STANDARD 200 LB AND UPGRADED 250 LB WEIGHT STACKS (PLATES 1-10, INCLUDES TOP PLATE)

STICKER SET 2 IS USED FOR ONLY THE STANDARD 200 LB WEIGHT STACK (PLATES 11-20, 10LB PLATES)

STICKER SET 3 IS USED FOR ONLY THE UPGRADED 250 LB WEIGHT STACK (PLATES 11-20, 15LB PLATES)

Part #	Assembly Hardware	QTY
DEC-062	Sticker Set for Weight Stack, for 200 lb or 250 lb Stacks	1
DEC-092	Bolt, Recessed Flat Head, 3/8" x 4-1/2" L	1
DEC-100	Nut, Nylon Lock, Thin, 3/8"	1

Once the correct sticker is carefully aligned to each weight plate, press each number sticker gently onto the weight plate. Only rub each sticker and not the surrounding area.

NOTE: Minimum cure time of 24 hrs.

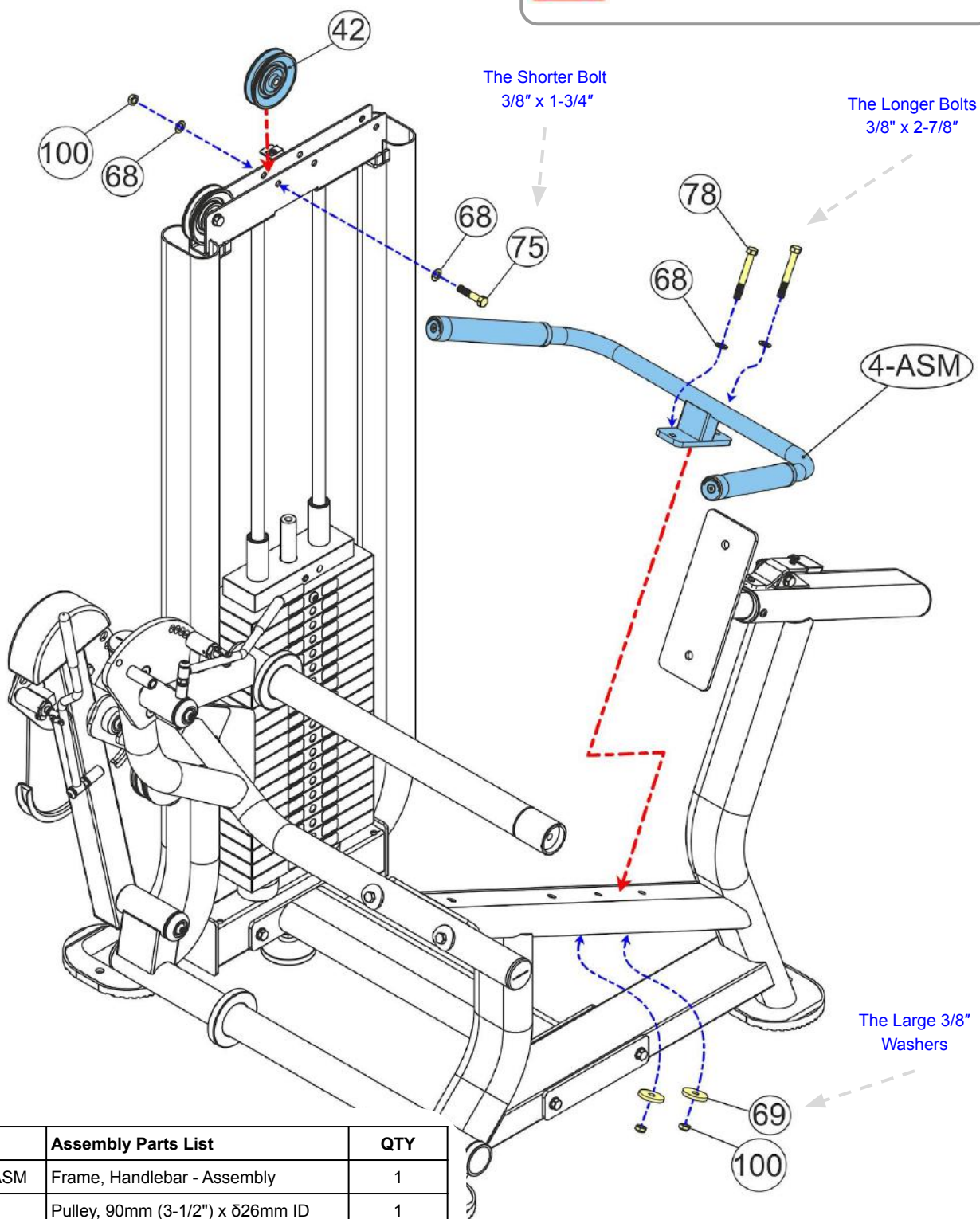
Do Not "TEST" the decals by pulling on them.

Product Assembly, Dual Leg Ext / Curl (DEC)

STEP 6: Install Handlebar Frame & Pulley



Please Hand Tighten All Nuts & Bolts Until STEP 7



Part #	Assembly Parts List	QTY
DEC-004-ASM	Frame, Handlebar - Assembly	1
DEC-042	Pulley, 90mm (3-1/2") x 526mm ID	1
DEC-068	Washer, Flat, 3/8"	4
DEC-069	Washer, Flat, Large, 3/8"	2
DEC-075	Bolt, Hex, 3/8" x 1-3/4" L	1
DEC-078	Bolt, Hex, 3/8" x 2-7/8" L	2
DEC-100	Nut, Nylon Lock, Thin, 3/8"	3

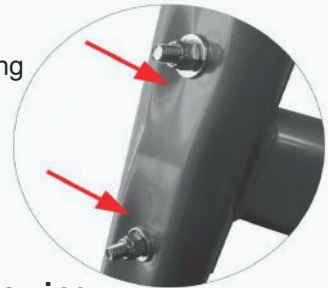


STEP 7a: "Torque Time" on ALL Nuts & Bolts from STEP 1 - 6

NOTE: These recommended torque specs should be followed for correct assembly and safe operation of this machine.



Example of being overtightened not using the recommended torque specs.



Tighten to torque specs to ensure the bolts and nuts do the following:

- Securely hold the frame and keep moving parts from coming loose during operation.
- Keep from crushing the frame.
- Avoid stripping the threads on either the bolts or nuts.
- Allow moving parts to adjust freely per the designed intent.

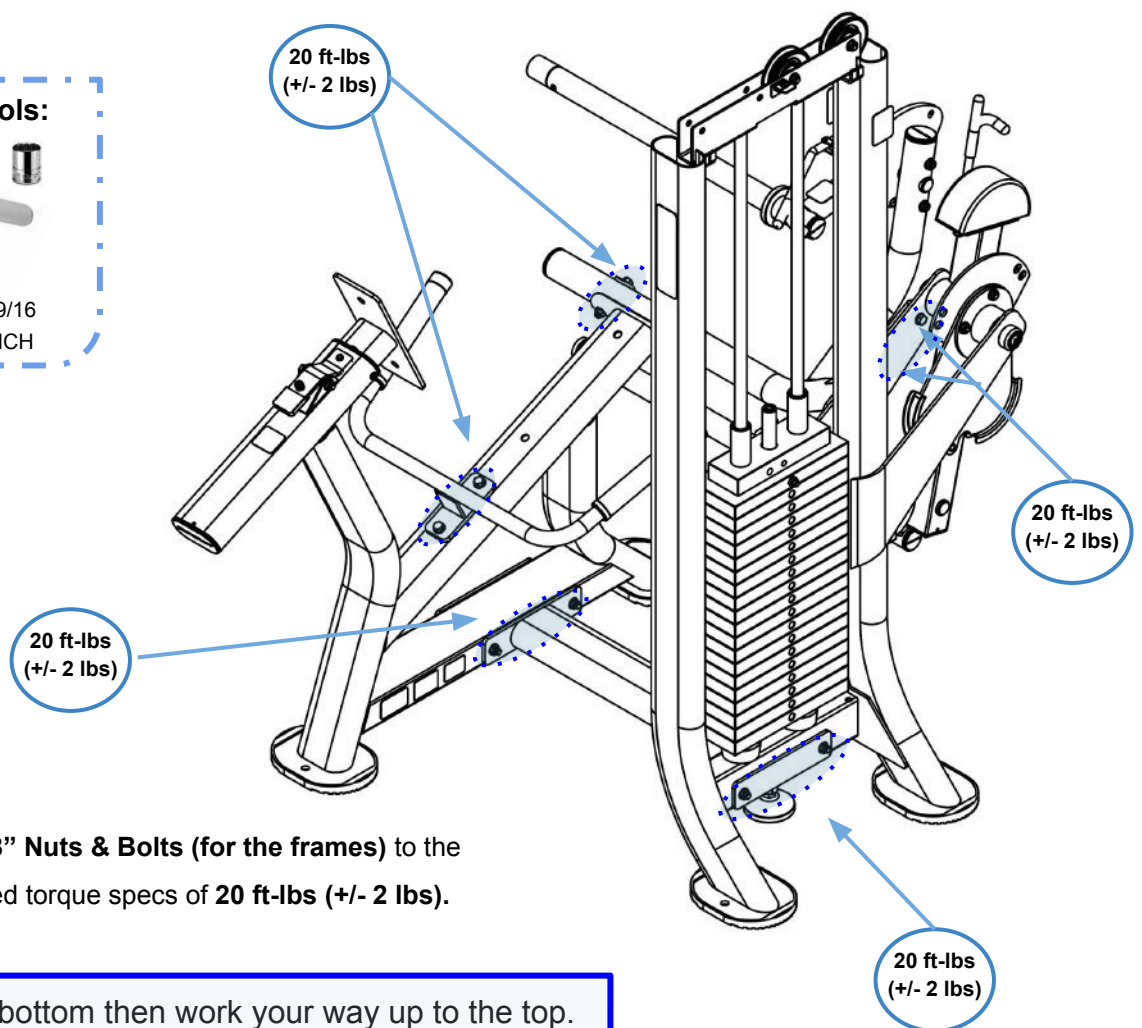


<https://www.wikihow.com/Use-a-Torque-Wrench#Video>

Recommended Tools:



TORQUE WRENCH w/ 9/16 SOCKET & 9/16 WRENCH



Tighten all 3/8" Nuts & Bolts (for the frames) to the recommended torque specs of 20 ft-lbs (+/- 2 lbs).

NOTE: Start at the bottom then work your way up to the top.

Product Assembly, Dual Leg Ext / Curl (DEC)

STEP 7b: Continue "Torque Time" on ALL Nuts & Bolts from STEP 1 - 6

Recommended Tools:



TORQUE WRENCH w/ 7/32"
Hex Bit Socket, 9/16 Socket,
9/16 Wrench & Adj. Wrench

Tighten to the Recommended
Torque Specs at this time.

17 ft-lbs
(+/- 2 lbs)

20 ft-lbs
(+/- 2 lbs)

17 ft-lbs
(+/- 2 lbs)

Tighten all 3/8" Bolts (for the Axles & Pulleys) to the recommended torque specs of 17 ft-lbs (+/- 2 lbs).

17 ft-lbs
(+/- 2 lbs)

20 ft-lbs
(+/- 2 lbs)

Tighten all 3/8" Nuts & Bolts (for the frames) to the recommended torque specs of 20 ft-lbs (+/- 2 lbs).

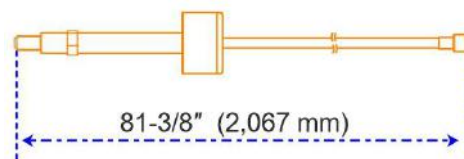
NOTE: Use the 7/32" Hex Allen Bit
Socket for Allen Head Bolts #88 & #89

NOTE: Start at the bottom then work your way up to the top.

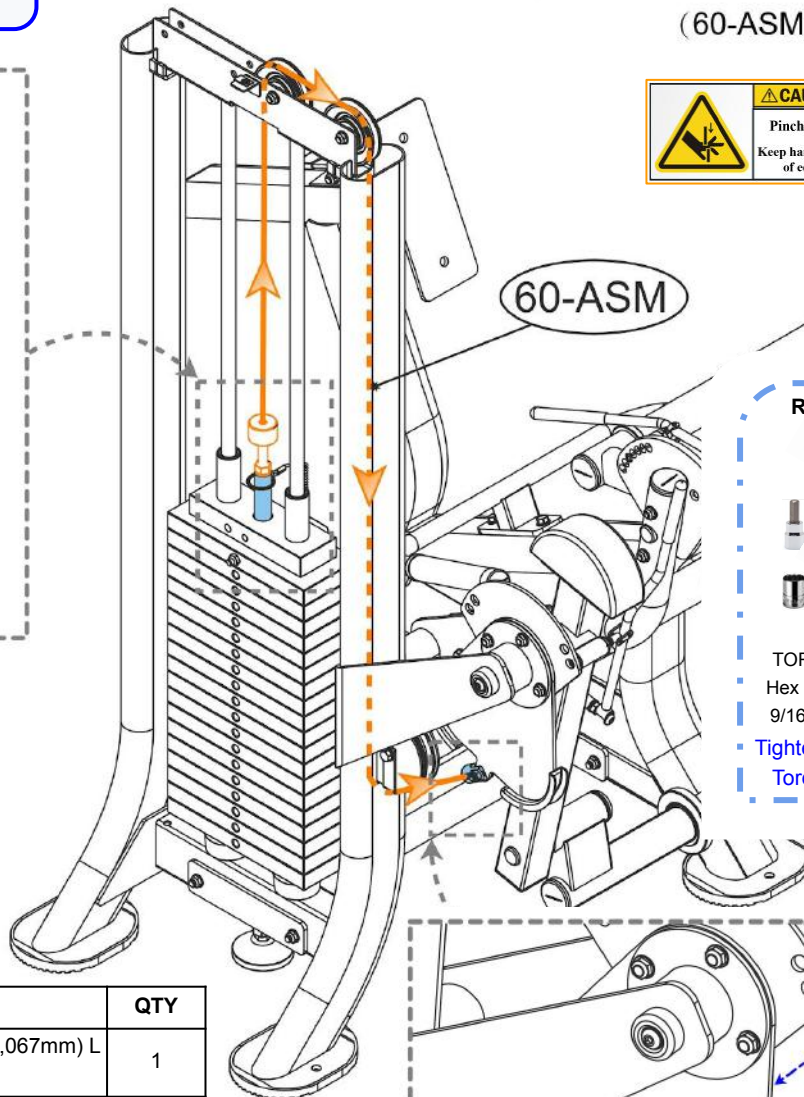
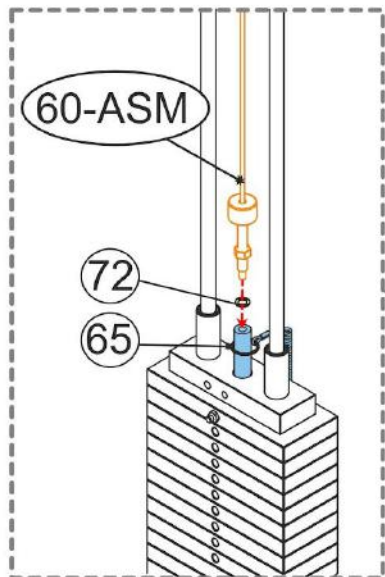
Product Assembly, Dual Leg Ext / Curl (DEC)

STEP 8: Install Cable & Selector Pin w/ Lanyard

NOTE: Actual color of Main Cable #18 is black. Shown in the assembly STEP in **ORANGE** for easy viewing



(60-ASM)

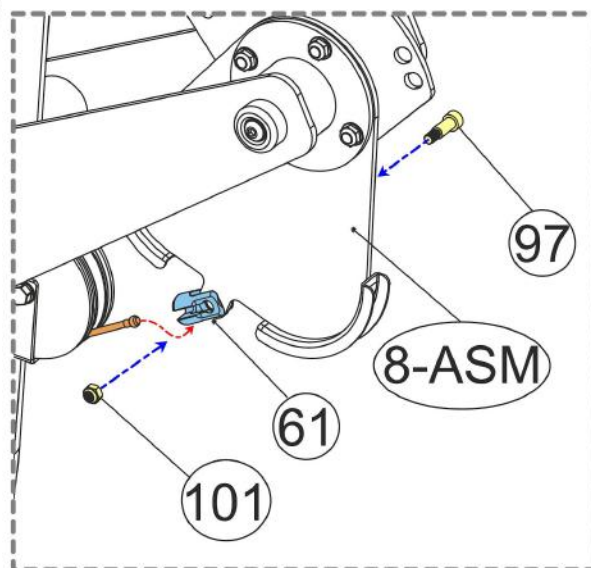


Recommended Tools:



TORQUE WRENCH w/ 1/4 Hex Bit Socket, 9/16 Socket, 9/16 Wrench & Adj. Wrench
Tighten to the Recommended Torque Specs at this time.

Part #	Assembly Parts List	QTY
DEC-060-ASM	Cable, Main 81-3/8" (2,067mm) L - Assembly	1
DEC-061	Clevis Bracket for Cable End attachment, 24mm OD x 47mm L	1
DEC-065	Selector Pin w/ Lanyard, Aluminum - BLUE	1
DEC-072	Washer, Spring, 1/2"	1
DEC-097	Bolt, Shoulder, 5/16" x φ9.5mm x 19mm L	1
DEC-101	Nut, Nylon Lock, Thick, 5/16"	1



STEP 8b: Adjust Cable Tension

BODYCRAFT



Watch Assembly Video

DEC STEP 8b
Adjusting the Cable

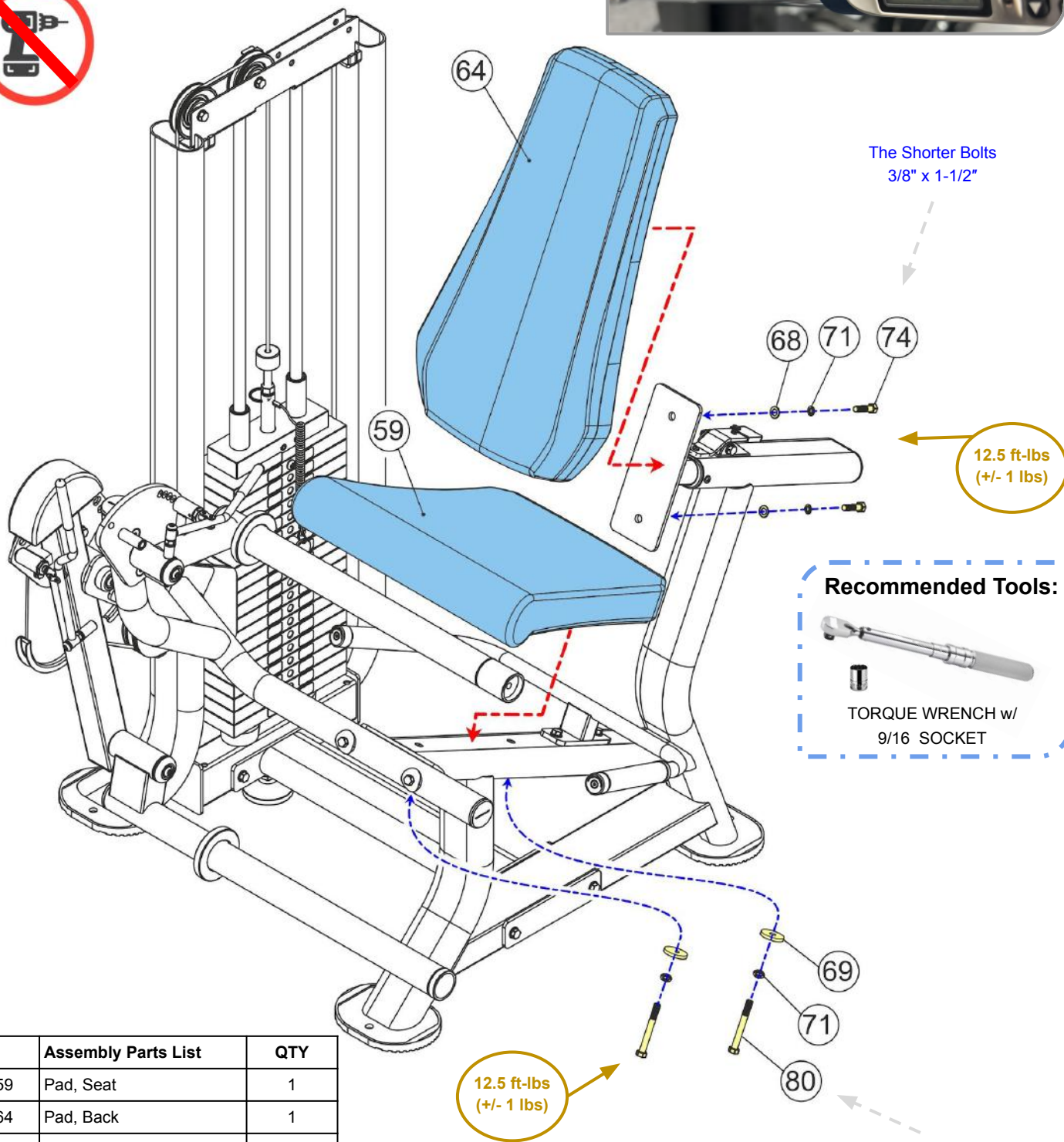
Good Rule of Thumb: Cable above weight stack should have less than 1/2 inch of play in the cable.

NOTE: Check Selector Rod Pin freely slides into each weight plate front hole with the Top Plate resting on 1st Weight Plate.

Once adjusted correctly, tighten the jam nut.

Product Assembly, Dual Leg Ext / Curl (DEC)

STEP 9: Install Seat / Back Pads & Tighten Bolts to the Recommended Torque Specs



Recommended Tools:



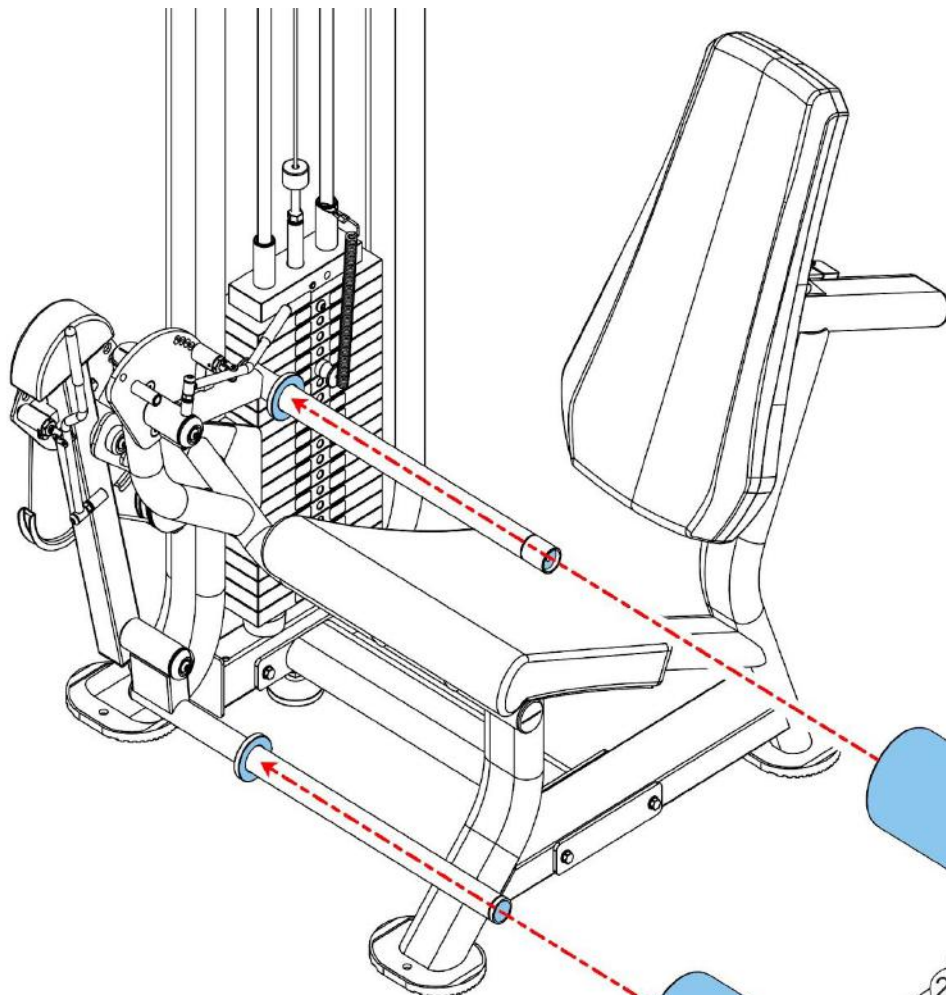
TORQUE WRENCH w/
9/16 SOCKET

Part #	Assembly Parts List	QTY
DEC-059	Pad, Seat	1
DEC-064	Pad, Back	1
DEC-068	Washer, Flat, 3/8"	2
DEC-069	Washer, Flat, Large, 3/8"	2
DEC-071	Washer, Spring, 3/8"	4
DEC-074	Bolt, Hex, 3/8" x 1-1/2" L	2
DEC-080	Bolt, Hex, 3/8" x 3-1/4 "L	2

Tighten all 3/8" Bolts (for the Pads) to the recommended torque specs of 12.5 ft-lbs (+/- 1 lbs).

Product Assembly, Dual Leg Ext / Curl (DEC)

STEP 10a: Install Upholstered Rollers & Tighten Bolt to the Recommended Torque Specs



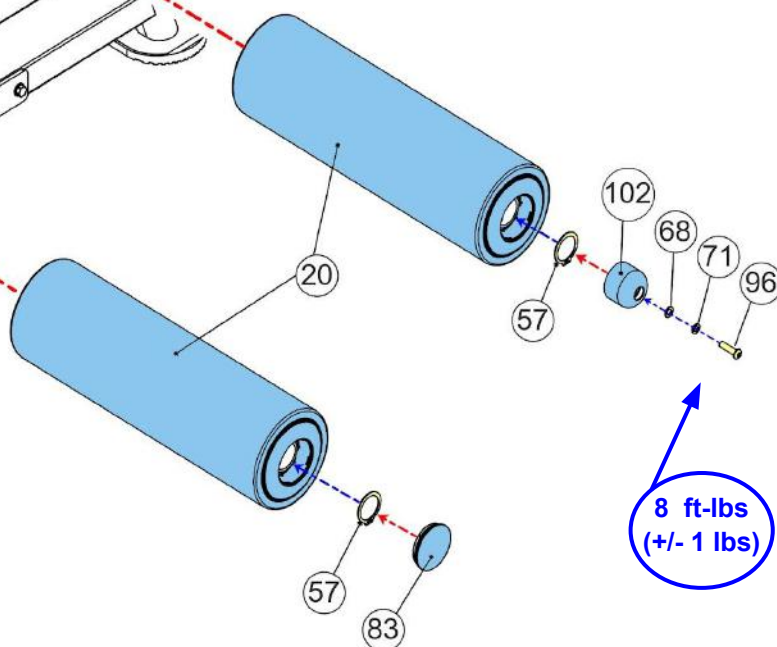
Recommended Tool:



SNAP RING PLIERS
w/ 0.09-inch (2.3mm) TIP



Part #	Assembly Parts List	QTY
DEC-020	Roller, Upholstered Foam, 6" OD x 20" L	2
DEC-083	End Cap, for Roller - BLUE	1
DEC-102	End Cap, Nylon - BLK	1
DEC-057	Snap Ring, Retaining Clip for Shaft	2
DEC-068	Washer, Flat, 3/8"	1
DEC-071	Washer, Spring, 3/8"	1
DEC-096	Bolt, Recessed Flat Head, 3/8" x 1-1/2" L	1



STEP 10b: Double Confirming the Snap Ring is Installed Correctly

BODYCRAFT

Watch Assembly Video

DEC STEP 10
Installing the Snap Rings

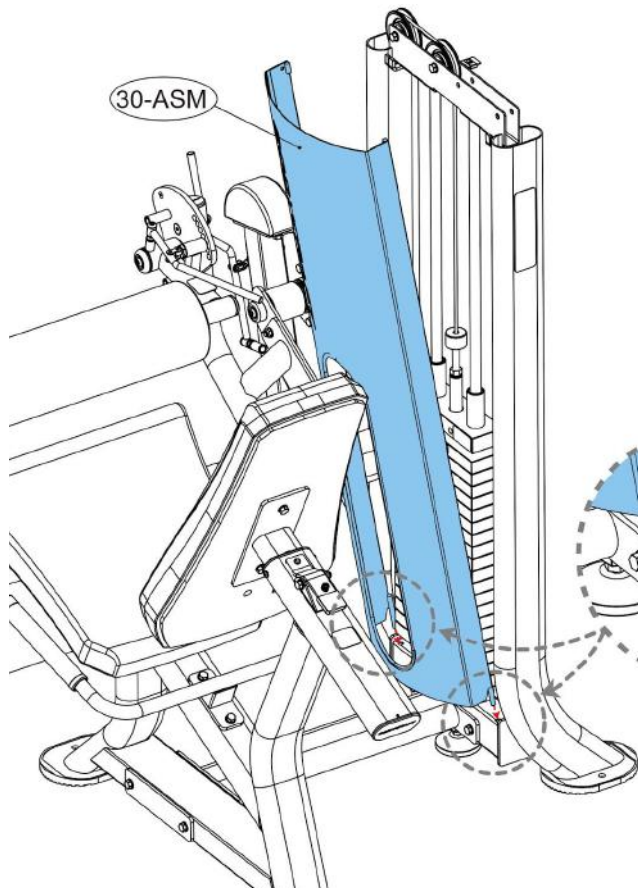


Good Rule of Thumb: Once the Snap Rings are installed, freely spring (with the Snap Ring Pliers or flat screwdriver) in a clockwise movement to confirm it is locked-in.

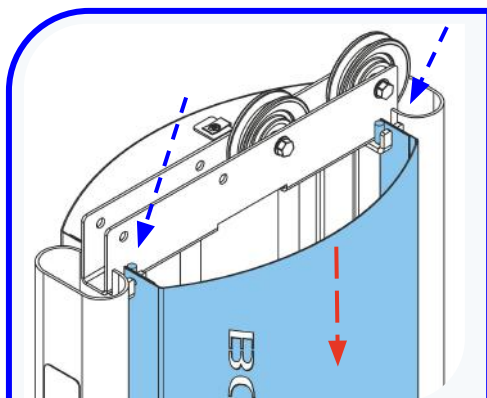
Then spin the Upholstered Rollers and gently try to push outward.

Once confirmed the Snap Rings are installed correctly, finish the assembly by installing the end caps.

STEP 11: Install Weight Stack Shrouds & Cover Top Assembly

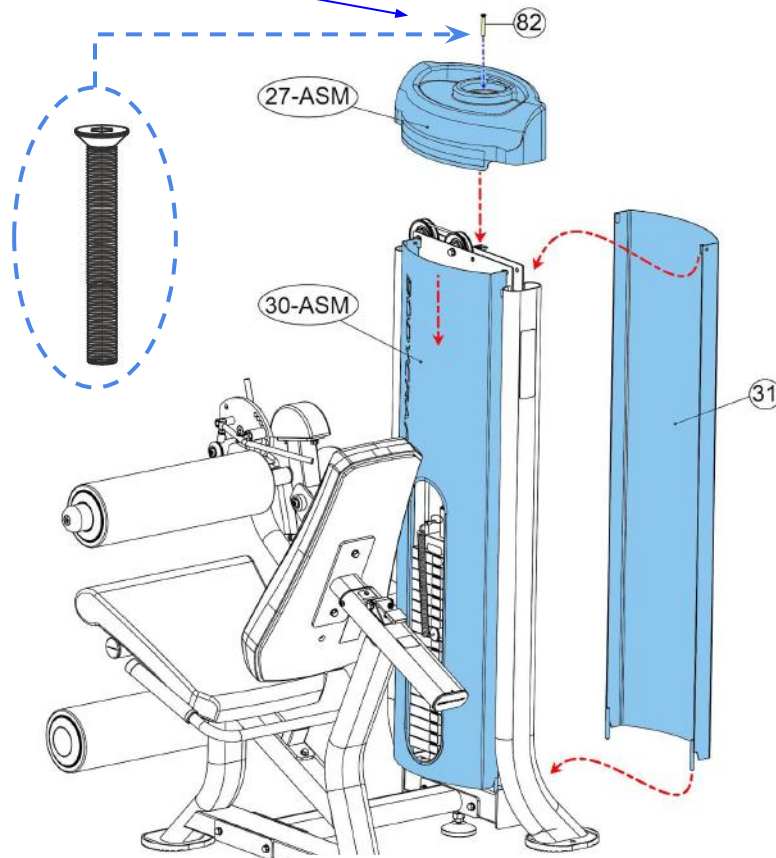


5 ft-lbs
(+/- 0.5 lbs)



NOTE: When lowering down the Shroud Covers, confirm the back taps are behind the frame slots, locking in the Shroud Cover to the frame.

* Example image shown from the DMP



Part #	Assembly Parts List	QTY
DEC-027-ASM	Weight Stack Shroud Cover, Top - Assembly	1
DEC-030-ASM	Weight Stack Shroud Cover, Front - Assembly	1
DEC-031	Weight Stack Shroud Cover, Rear	1
DEC-082	Bolt, Recessed Countersunk Head, M6 x 50mm L	1

Recommended Tool:



4mm ALLEN
(HEX) WRENCH

Tighten to the Recommended Torque Specs at this time.



STEP 12a: Remove any & all Assembly Stickers, i.e. Part Numbers & Right / Left Circles

- Easy to remove with fingernail or plastic scraper
- If adhesive residue is on frame:
 - Use rubbing alcohol
 - Then mild cleaning solution
 - Finishing with a dry 100% cotton cleaning cloth



STEP 12b: Frame Clean Up

- Wipe down frame with mild cleaning solution
- Dry frame with 100% cotton cleaning cloth
- Good practice to do before first use and yearly:
 - Lightly apply an automotive grade cleaner wax
 - Then follow up by wiping excesses off with 100% cotton cleaning cloth

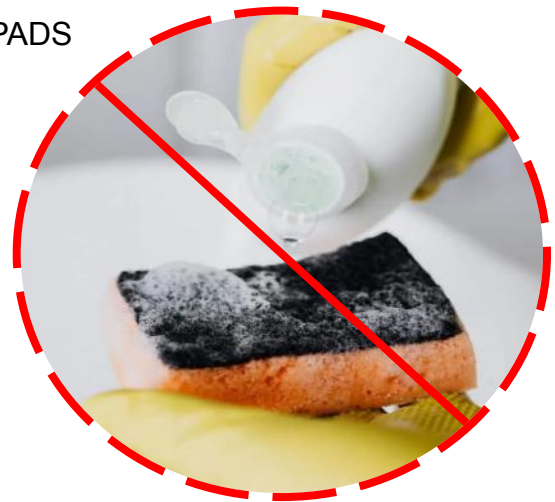


MILD CLEANING SOLUTION



100% COTTON CLEANING CLOTHS

- DO NOT USE ABRASIVE CLEANING SCRUBBING PADS
- DO NOT USE AMMONIA OR CITRIC CLEANERS
- DO NOT USE ANY FORM OF PAINT THINNERS



TIP ON FRAME ONLY: For extra protection from fingerprints, sweat stains or just plain dirt, apply an automotive grade cleaner wax if desired. Also makes future cleaning easier.



(Do Not Use on the Upholstery)

Product Assembly, Routine Schedule

<i>ROUTINE SCHEDULE</i>	<i>LIGHT COMMERCIAL</i>	<i>HOME</i>
Clean: Upholstery.	DAILY	1 - 2 WEEKS
Inspect: Cables or Belts and their tension.	DAILY	1 - 2 WEEKS
Inspect: Links, Pull Pins, Snap Locks, Swivels, and Weight Stack Pins.	DAILY	1 - 2 WEEKS
Inspect: Accessory Bars and Handles.	WEEKLY	3 - 6 MONTHS
Inspect: All Label and Weight Stack Stickers.	WEEKLY	3 - 6 MONTHS
Inspect: All Nuts and Bolts, tighten if needed.	WEEKLY	3 - 6 MONTHS
Inspect: Anti-Skid Surface.	WEEKLY	3 - 6 MONTHS
Clean & Lubricate: Guide Rods with 100% Silicone or a Teflon based lubricant with Super Lube (a PTFE grease).	MONTHLY	3 - 6 MONTHS
Lubricate: Seat Sleeves, Bushings, Linear Bearing.	MONTHLY	3 - 6 MONTHS
Clean and Wax: All Glossy Finishes.	6 MONTHS	YEARLY
Repack with Grease: Linear Bearings.	6 MONTHS	YEARLY
Replace: Cables, Belts and Connecting Parts when showing signs of wear.	YEARLY	2 - 4 YEARS

General Inspection and Cleaning

The Frame should be wiped down with a damp cloth and dried on a daily basis. The powder coat finish should be polished with a good car wax on a yearly basis. For Vinyl Upholstery use Lanolin hand cleaner to dissolve sweat and lubricate the vinyl, maintaining its natural flexibility. DO NOT use cleaners such as Lysol or Windex as they will dry out and crack the vinyl. Sweat is corrosive and when left on the frame and components will eventually cause corrosion or rust. When performing these cleaning sessions, it is the perfect time to inspect the equipment and note any problems for the maintenance personnel to correct.

1. Check equipment to ensure it is operating properly.
2. Check the cables for loose fittings or frayed cable(s) and to ensure seating is proper on the pulleys and cams (if equipped).
3. Make sure that the proper weight stack selector pin is with each machine and that the pin functions properly.
4. If something appears loose, be sure to have it tightened immediately.
5. If a piece of equipment appears damaged or not operating properly, place the piece out-of-service immediately.

Cable Inspection

It is important to inspect the cables frequently, replace any worn out cables to prevent a sudden failure that can result in an injury. Cables are moving parts, meaning cable-wear will occur regardless of the type or size used.

1. Inspect cable ends and perform any cable tension adjustments, loosen the jam nut and thread the cable bolt in or out to give cable the proper tension. Re-tightened all jam nuts when adjustment is complete and make sure the cable bolt is threaded 1/3 into the socket of the selector stem in the top plate.
2. Check the cables as they pass over all pulley wheels. Visually inspect the cables and pulleys. A cable that is wearing will exhibit a ballooned surface that passes over the pulleys. This is an early warning sign to replace the cable(s).

Lubrication

Bearing and linear bearing systems have advanced over the years, but they must be maintained on a regular basis if you expect them to last and perform efficiently. BODYCRAFT uses only the highest quality bearings and linear motion components that are virtually trouble-free but they require the regular preventive maintenance to ensure long-lasting performance.

- 1. Bronze bushings:** Recommend on a yearly basis to spray a Teflon-base lubricant (silicone-free) directly onto the shaft as it passes through these bushings. Spray a small amount onto the shaft and rotate it through its complete movement and wipe off any excess.
- 2. Weight stack guide rods:** Use Silicone Spray lubricant and this time spray onto a rag and wipe the guide rods down with this rag on a weekly basis. DO NOT use WD-40 or other lubricants as they attract dirt and will create a mess between the weight plates and bushings.
- 3. Sealed bearings pivot points:** As the name implies, they are protected from the outside environment and require no lubrication. During the machine wipe down, wipe the external bearing surfaces with the damp rag and dry to prevent the build up of dust and sweat.
- 4. Linear bearing systems (if equipped):** These are precision, high load components that require regular maintenance. Dirt and corrosion are the major culprits in linear bearing failure. The hardened shafts must be wiped down monthly and lubricated with a light layer of Teflon grease. We recommend a Teflon-based (silicone-free) gel/grease for this purpose. Lack of care and maintenance will result in corrosion of the linear shaft causing the bearings to become clogged and jammed.

If you perform the maintenance procedures, you will increase the life of the machine and ultimately lower your maintenance costs with fewer replaced components and downtime.

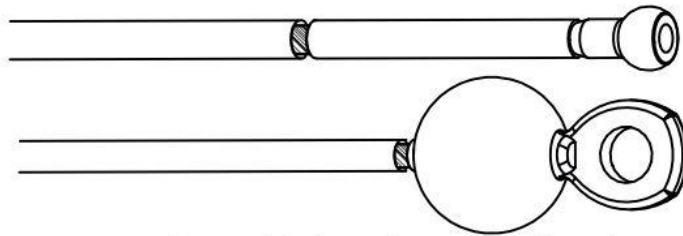
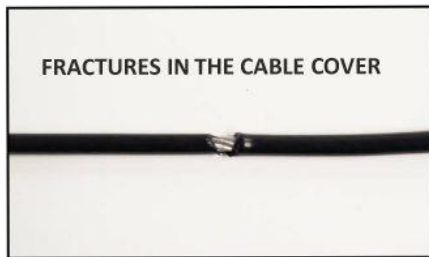


BODYCRAFT
7699 GREEN MEADOWS DR.
LEWIS CENTER, OHIO 43035



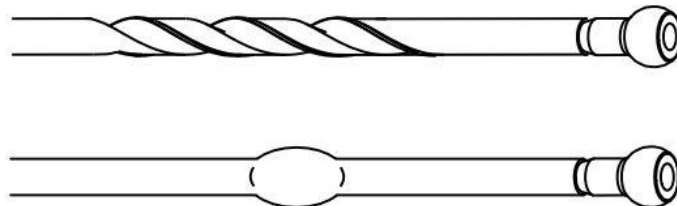
800.990.5556
SERVICE@BODYCRAFT.COM
WWW.BODYCRAFT.COM

Strength Cable Wear Indicators



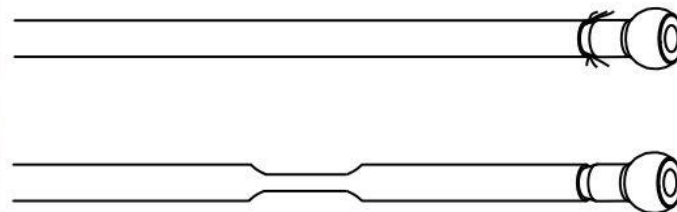
Casing can crack or fracture under strains during use. Any crack in the casing merits cable replacement even if no wire rope is exposed.

STOP USING THE MACHINE: This cable needs to be replaced as soon as possible.



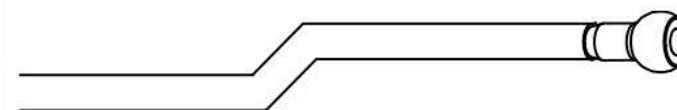
Inspect casing to ensure wire rope is not tearing, twisting, or binding within and coil causing bulge to appear. Cable should retain same outside diameter throughout.

STOP USING THE MACHINE: This cable needs to be replaced as soon as possible.



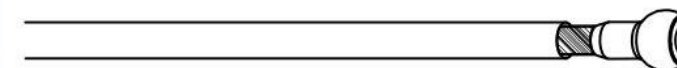
Any exposed wire rope protruding through the casing or at either end, has lost its structural integrity. Section of cable is compressed and will not retain its shape (outside diameter).

STOP USING THE MACHINE: This cable needs to be replaced immediately.



Cable has a kink and prohibits cable from lying straight. Wire rope may be unraveling beneath the casing, causing a compromise of its structural integrity.

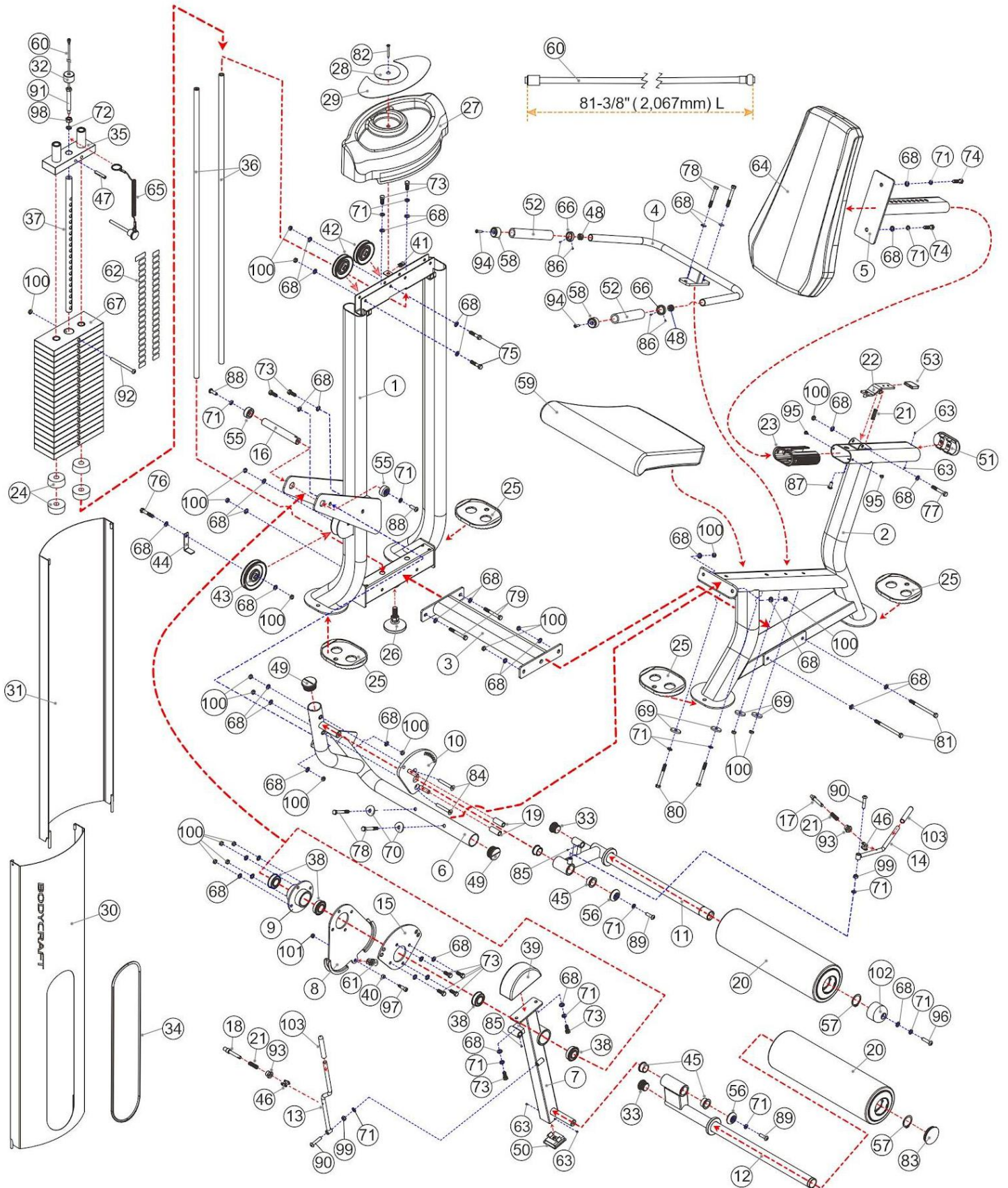
STOP USING THE MACHINE: This cable needs to be replaced immediately.



Watch for component end of cable to pull away from cable assembly and look for exposed wire rope.

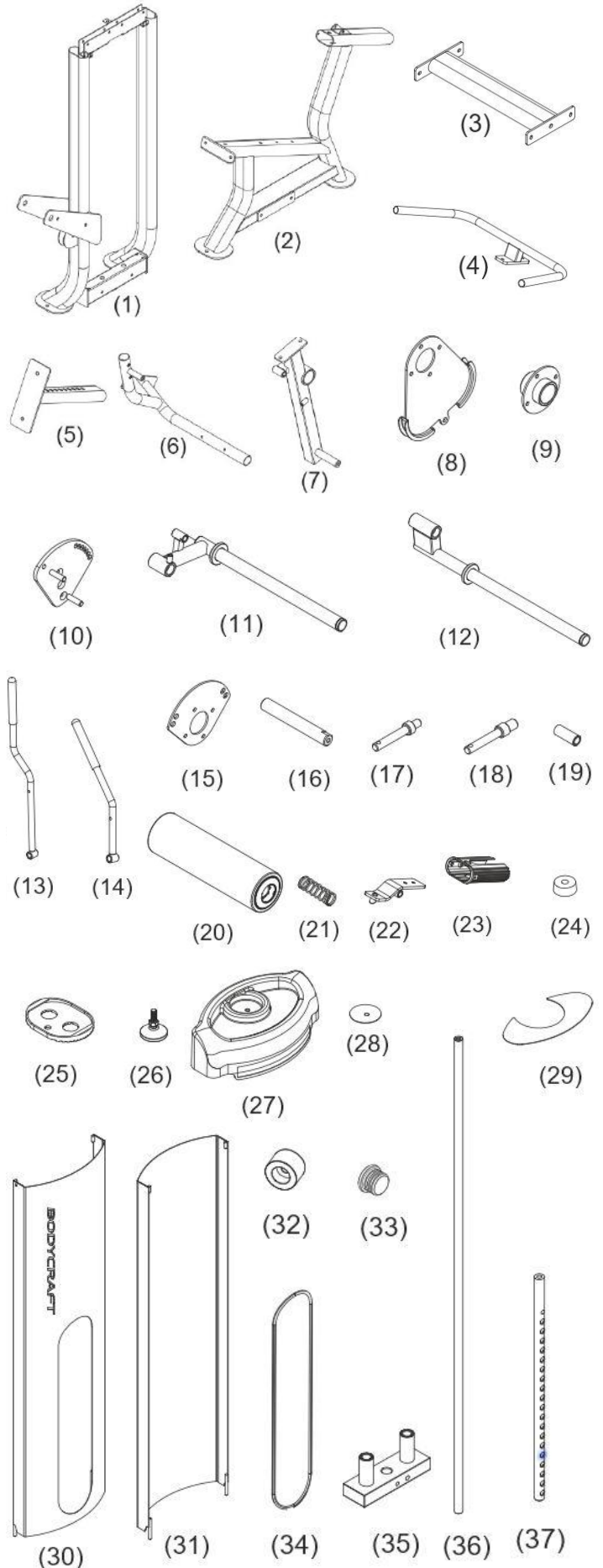
STOP USING THE MACHINE: This cable needs to be replaced immediately.

Detailed Parts, Exploded View, Dual Leg Ext / Curl (DEC)

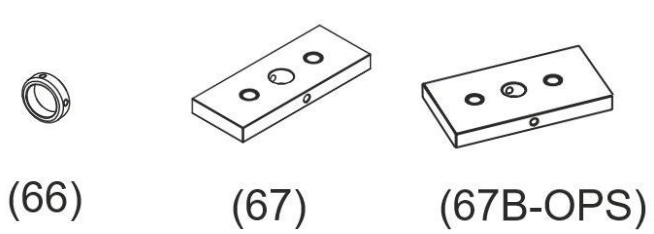
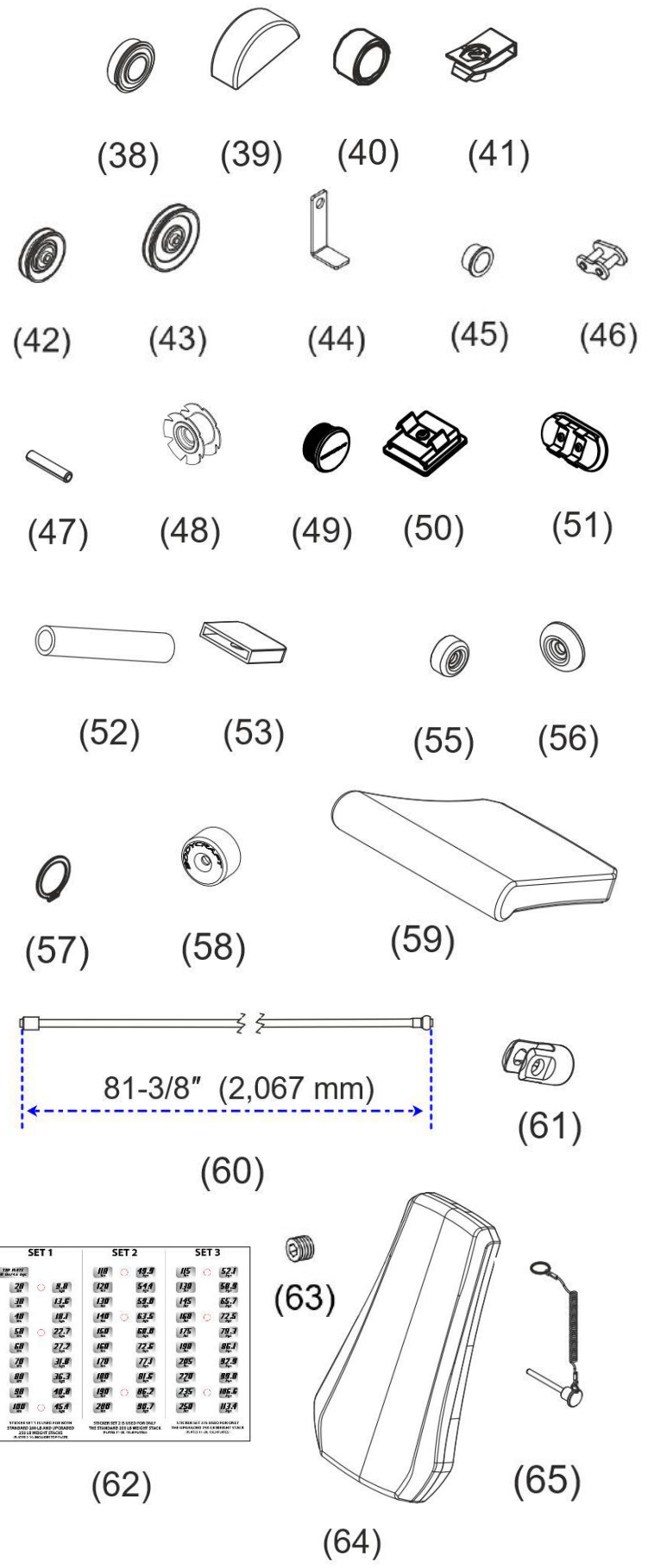


NOTE: Parts are not to scale

Part #	Detailed Parts List	QTY
DEC-001	Frame, Weight Stack	1
DEC-002	Frame, Main	1
DEC-003	Frame, Connector, Bottom	1
DEC-004	Frame, Handlebar	1
DEC-005	Back Pad Adjuster Post	1
DEC-006	Frame, Top Cross Brace, from Weight Stack Frame to Main Frame	1
DEC-007	Frame, Rotating Pivot Arm	1
DEC-008	Rotary Cam	1
DEC-009	Mounting Plate, for Rotary Cam	1
DEC-010	Selector Plate, for the Thigh Pad (upper for Thigh hold down)	1
DEC-011	Support Tube, Upper, for the Thigh Pad (upper for Thigh hold down)	1
DEC-012	Support Tube, Lower, for the rotating Leg Ext / Curl Bar w/ pad (lower for Ext and Curl)	1
DEC-013	Handle, release for the rotating Leg Ext / Curl Bar w/ pad (lower for Ext and Curl)	1
DEC-014	Handle, release for the Thigh Pad (upper for Thigh hold down)	1
DEC-015	Pivot Arm Adjusting Plate (lower for Ext and Curl)	1
DEC-016	Axle, for Rotating Arm and Cam, w/ One Side Flat Notch, 1" OD x 3/8" Threaded ID x 178mm L	1
DEC-017	Push-Pull Pin Rod, 3/8" x 3-1/8" L	1
DEC-018	Push-Pull Pin Rod, 1/2" x 3-1/4" L	1
DEC-019	Rubber Sleeve for Sector Plate on Thigh Pad	2
DEC-020	Roller, Upholstered Foam, 6" OD x 20" L	2
DEC-021	Compression Spring, $\Phi 1.2 \times \Phi 11.7 \times 38$ for Push-Pull Pin Rod(s)	3
DEC-022	Handle, for Back Pad Adjustment	1
DEC-023	Inner Sliding Sleeve, Oval, PT100mm x 50mm x $\delta 2.5$ / PT80 x 40mm	1
DEC-024	Rubber Cushion for Weight Stack	4
DEC-025	Foot Pad, Rubber	4
DEC-026	Foot, Adjustable for Weight Stack Frame	1
DEC-027	Weight Stack Shroud Cover, Top	1
DEC-028	Shroud Lid Rubber Mat, Small	1
DEC-029	Shroud Lid Rubber Mat, Large	1
DEC-030	Weight Stack Shroud Cover, Front	1
DEC-031	Weight Stack Shroud Cover, Rear	1
DEC-032	Stopper, Rubber on Cable to Top Plate	1
DEC-033	Plug, Round, $\Phi 38$ - BLUE w/ BC logo	2
DEC-034	Protector Edge Strip for Weight Stack Front Cover	1
DEC-035	Top Plate	1
DEC-036	Guide Rod for Weight Stack, 0.75" OD x 50.3" L, 3/8" Inner Thread on One End	2
DEC-037	Selector Rod, 19 Holes	1



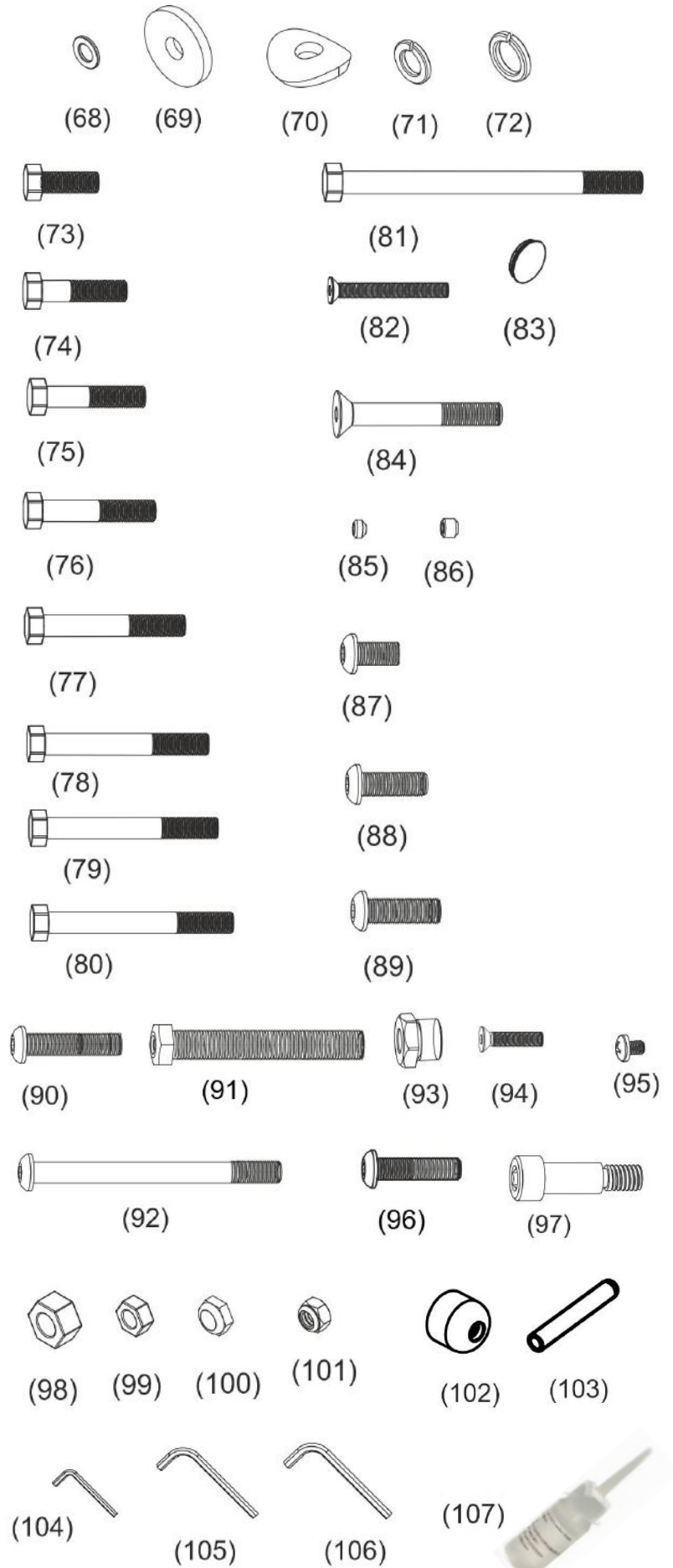
Part #	Detailed Parts List	QTY
DEC-038	Bearing, T-type, 1641-2RSNR	4
DEC-039	Counter Balance Weight	1
DEC-040	Bushing, Brass, Φ12.7 x Φ9.5 x 7.9	1
DEC-041	Clip Nut, M6 I.D.	1
DEC-042	Pulley, 90mm (3-1/2") x Ø26mm ID	2
DEC-043	Pulley, 114mm (4-1/2") x Ø26mm ID	1
DEC-044	L-Shaped Plate for cable guide on lower pulley	1
DEC-045	Bushing, Brass, Φ25.4 x Φ32 x Φ38	4
DEC-046	Connecting Link #50, for Thigh Pad Release Handle	2
DEC-047	Roll Pin, for Selector Rod to Top Plate, 10mm x 50mm L	1
DEC-048	Nut, Insert Dual Outward Spring, M6 x 21 mm O.D. (Used in Handlebar)	2
DEC-049	Plug, Round, Φ50 for Top Cross Brace Frame - BLUE w/ BC logo	2
DEC-050	Plug, Square, Aluminum, 50.8mm x 50.8mm for Bottom of Pivot Arm - BLUE	1
DEC-051	Plug, Flat Oval, PT100 x 50mm, Aluminum - BLUE w/ BC logo	1
DEC-052	Grips, Rubber for Handle Bar, 1' ID x 7-1/4" L	2
DEC-053	Handle Rubber Sleeve, for Back Pad Adjustment	1
DEC-055	End Cap, Aluminum - BLUE	2
DEC-056	End Cap, Aluminum, Thin - BLUE	2
DEC-057	Snap Ring, Retaining Clip for Shaft	2
DEC-058	End Cap, Aluminum, for Handlebar w/ center recessed hole - BLUE w/ BC logo	2
DEC-059	Pad, Seat	1
DEC-060	Cable, Main 81-3/8" (2,067mm) L	1
DEC-061	Clevis Bracket for Cable End attachment, 24mm OD x 47mm L	1
DEC-062	Sticker Set for Weight Stack, for 200 lb or 250 lb Stacks	1
DEC-063	Screw, Hex Socket with Cup Point, M5 x 4mm L	4
DEC-064	Pad, Back	1
DEC-065	Selector Pin w/ Lanyard, Aluminum - BLUE	1
DEC-066	Ring, Aluminum Inner for Handlebar - BLUE	2
DEC-067	Weight Plate, 10 lbs (4.5kg), Standard 200 lb Weight Stack	19
DEC-67B-OPT	OPTION - Weight Plate, 15 lbs (6.8kg), Upgraded 250 lb Weight Stack w/ 9 each #67 Plates	10



SET 1	SET 2	SET 3
100	100	100
110	110	110
120	120	120
130	130	130
140	140	140
150	150	150
160	160	160
170	170	170
180	180	180
190	190	190
200	200	200
210	210	210
220	220	220
230	230	230
240	240	240
250	250	250

34 **NOTE: Parts are not to scale**

Part #	Detailed Parts List	QTY
DEC-068	Washer, Flat, 3/8"	41
DEC-069	Washer, Flat, Large, 3/8"	4
DEC-070	Washer, Arc, Large, Φ10, R25	2
DEC-071	Washer, Spring, 3/8"	15
DEC-072	Washer, Spring, 1/2"	1
DEC-073	Bolt, Hex, 3/8"x 1 L	10
DEC-074	Bolt, Hex, 3/8" x 1-1/2" L	2
DEC-075	Bolt, Hex, 3/8" x 1-3/4" L	2
DEC-076	Bolt, Hex, 3/8" x 2" L	1
DEC-077	Bolt, Hex, 3/8" x 2-1/2" L	1
DEC-078	Bolt, Hex, 3/8" x 2-7/8" L	4
DEC-079	Bolt, Hex, 3/8" x 3" L	2
DEC-080	Bolt, Hex, 3/8" x 3-1/4" L	2
DEC-081	Bolt, Hex, 3/8" x 5" L	2
DEC-082	Bolt, Recessed Countersunk Head, M6 x 50mm L	1
DEC-083	End Cap, for Roller - BLUE	1
DEC-084	Bolt, Recessed Countersunk Head, 3/8" x 2-3/4" L	2
DEC-085	Screw, Inner Hex Set, 10#-32UNF-1/8"	2
DEC-086	Screw, Inner Hex, M5 x 4mm L	4
DEC-087	Bolt, Recessed Flat Head, 3/8" x 3/4" L	1
DEC-088	Bolt, Recessed Flat Head, 3/8" x 1-1/8" L	2
DEC-089	Bolt, Recessed Flat Head, 3/8" x 1-1/4" L	2
DEC-090	Bolt, Recessed Flat Head, 3/8" x 1-3/4" L	2
DEC-091	Bolt, Hex 1/2"x 3-1/2" L, Hollow	1
DEC-092	Bolt, Recessed Flat Head, 3/8" x 4-1/2" L	1
DEC-093	Bolt, Hollow, 3/4" L	2
DEC-094	Bolt, Recessed Countersunk Head, M6 x 25mm L (Used in Handlebar)	2
DEC-095	Screw, Cross Pan Head, M6 x 8mm L	2
DEC-096	Bolt, Recessed Flat Head, 3/8" x 1-1/2" L	1
DEC-097	Bolt, Shoulder, 5/16" x φ9.5mm x 19mm L	1
DEC-098	Nut, Hex, 1/2"	1
DEC-099	Nut, Hex, 3/8"	2
DEC-100	Nut, Nylon Lock, Thin, 3/8"	21
DEC-101	Nut, Nylon Lock, Thick, 5/16"	1
DEC-102	End Cap, Nylon - BLK	1
DEC-103	Handle Sleeve, Dipped Plastic Sleeve - BLUE	2
DEC-104	Wrench, Hex, 4mm	1
DEC-105	Wrench, Hex, 7/32"	1
DEC-106	Wrench, Hex, 1/4"	1
DEC-107	Silicone Lube Bottle, for Guide Rods	1



NOTE: Parts are not to scale

Part #	Detailed Parts List	QTY
DEC-108	Warning Label - Fasten the machine to the floor	1
DEC-109	Caution Label - The Pull-PIN must be fully engaged into the hole before use	2
DEC-110	Warning Label - Please utilize this equipment solely for its designated purpose	1
DEC-111	Warning Label - Be aware of moving parts	1
DEC-112	Warning Label - Master Rules and Precautions	1
DEC-113	Warning Label - Do not at any time lean against framework	1
DEC-114	Warning Label - Pinch Point, Vertical	1
DEC-115	Warning Label - Pinch Point, Horizontal	1
DEC-116	Poster - Exercise Guide	1
DEC-117	Label - Maintenance Schedule	1
DEC-118	Label - California Proposition 65 Warning	1
DEC-119	Label - Notices for Pads	2
DEC-120	Label - Serial Number	1
DEC-121	Label - QR code	1
DEC-122	Label - Trademark	1
DEC-123	Label - Machine Name	1



(108)



(109)



(110)



(111)

! WARNING
To minimize risk of serious injury, follow these rules and precautions:

1. **Read and Understand** all Warning and Caution Labels on this equipment before using.
2. **Read and Understand** the Owner's Manual on safety and usage before using this machine.
3. Obtain a **Medical Exam** before beginning any exercise program and **STOP** exercising if you feel faint, dizzy or pain.
4. **Inspect Equipment Before Each Use.** Check for wear and tear, loose fitting, worn or frayed cables, loose hardware and frame.
5. **Do Not Remove any Labels.** Replace if damaged or missing
6. **DO NOT USE** this machine as a stretching device or modify this machine in any way other than designed by BODYCRAFT
7. **Keep Clear** of all moving parts and cables.
8. **Highly Recommended** that you work out with a training partner or another adult in the area.
9. **Children Should Not Be Allowed** to be near or play around this machine at any time.
10. **Children 13 yrs or Older** need to be supervised during any workout using this machine.
11. Only replace worn or broken parts with **Genuine BODYCRAFT Parts.** 800-990-5556

v1.6v

(112)



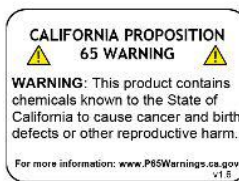
(113)



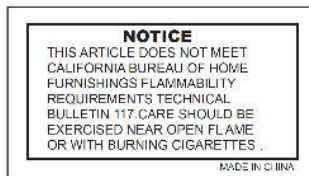
(114)



(115)



(118)



(119)



(120)



(121)



(116)



(122)



(123)

MAINTENANCE SCHEDULE				
This checklist needs to be followed before any user starts to exercise. Please replace all parts at first signs of wear or damage. Do not use machine until repaired as needed.	DAILY	WEEKLY	MONTHLY	12-MONTHS
Upholstery Wipe down and dry. - Clean and condition.		X		X
Bolts, Nuts & Fasteners - Visually check they are secure & tighten if needed. - Tighten per Torque Specs (Sams-Annually if needed)	X			X
Cables - Visually check for any unusual bends, kinking, fraying plastic cover or ends coming loose. - Adjust cable tension and tighten the locking nut at weight stack.		X		X
Guide Rods & Seat Sleeves - Clean & Lubricate w/ light Silicone or Teflon lube.			X	
Linear Bearing Guide Rods - Clean & Lubricate with Teflon (PTFE) grease.			X	
Tightening Knobs		X		
Locking Pins		X		
Weight Stack Pins		X		
Pop Pins / Springs - Check all for functionality.		X		
Warning Labels		X		
Anti-Skid Surfaces		X		
Hand Grips & Rollers - Inspect all above items for wear or if missing.		X		
Frame & Chrome - Clean and dry. - Clean and Wax.			X	X

Additional information: step-by-step processes, and more detailed instructions, refer to the machines Owner's Manual or contact BodyCraft Customer Support. 800-990-5556

v1.8

(117)

Required Information BEFORE Initiating a Service Case

The following information is needed to help expedite troubleshooting and to ensure the correct part(s) are sent if needed for a repair:

- 1) What product / model # do you have?
- 2) Unit serial number?
- 3) Installed by a dealer or direct sale?
- 4) Date of installation?
- 5) Date of service issue?
- 6) Complaint or problem, including any Error Codes?
- 7) Cardio &/or Connect 22 tablet, has the software been updated?
- 8) What part(s) are being requested?
- 9) Any picture or video will help with troubleshooting or exact part(s) needed.

Warranty Registration - Strength

Thank you for purchasing a BODYCRAFT product. To validate the product warranty the fast and easy way, please go on-line now to <https://www.bodycraft.com/product-registration.html> and register your product. The information you provide will never be distributed to any other individuals or agencies for any purpose. If you prefer to mail your warranty card, have the owner of the product complete the information below and return it to BODYCRAFT within 30 days from the date of equipment installation.

Please Note: Failure to register this product may result in no servicing or authorization of parts to be shipped.

To mail your warranty information, please fill in the information below and mail to: Service Dept., BODYCRAFT , 7699 Green Meadows Dr. Lewis Center, Ohio 43035 (or save postage and register online at <https://www.bodycraft.com/product-registration.html>)

WARRANTY REGISTRATION

**PLEASE PROVIDE SERIAL NUMBER(S) BELOW,
REQUIRED FOR WARRANTY REGISTRATION:**

BASE UNIT SERIAL NUMBER:

OPTIONS SERIAL NUMBER(S):

Model Type: _____

Date of Purchase _____

Your Company Name _____

Contact First Name _____

Contact Last Name _____

Address _____

City _____ State _____ ZIP _____

Email Address _____ Website _____

Phone _____ Fax _____

1. Where did you first learn about BODYCRAFT?

- a. Dealer b. Website
 c. Advertisement d. Referral
 e. Current Customer f. Other _____

2. Why did you purchase a BODYCRAFT product?

- a. Design/Appearance b. Dealer Suggestion
 c. Price/Value d. Quality Construction
 e. Performance f. BODYCRAFT Reputation
 g. Other: _____

3. Please indicate your type of facility:

- a. Apartment/Condo b. Corporate Fitness Center
 c. Municipality d. Health Club/Gym/Spa
 e. Hotel/Resort f. Military Base
 g. Student Rec Center h. Home

4. What other types of equipment does your company or home currently own?

- a. Treadmill Brand _____
 b. Elliptical Brand _____
 c. Bike/Indoor Cycle Brand _____
 d. Free Weights/Gym Brand _____

5. How many people use your facility on a daily basis?

- a. <25 b. 25-75
 c. 76-150 d. 150+

6. Do you plan to purchase more fitness equipment in the next 6-12 months?

Yes _____ No _____

7. If you answered "yes" to question 6, what type do you plan to purchase?

- Yes
 a. Treadmill b. Elliptical
 c. Bike/Indoor Cycle d. Free Weights
 e. Gym f. Other _____

8. Would you recommend BODYCRAFT to other club or home owners?

_____ No

9. You are a valued BODYCRAFT customer and your suggestions allow us to continually improve your experience. Is there anything else you would like us to know? Please explain:

Product Warranty - Strength Equipment

VALID FOR USA AND CANADA ONLY

(Please consult with your local distributor for warranty info specific to your region).

BODYCRAFT warrants its products to be free of defects in materials and workmanship for the time stated below to the original purchaser.

Register your product within 30 days of purchase at www.bodycraft.com or call 800-990-5556

This warranty is valid only in accordance with the following conditions:

The warranty begins on the original purchase date at retail and ends when the original owner disposes of it, either through sale, gift, or otherwise. This warranty is not transferable and is only valid to the original purchaser.

This warranty is available only for purchases made within and the original purchaser currently residing in the USA and Canada. Please consult with your local distributor for warranty information specific to your region. The product must have been registered within 30 days of the original purchase date or supply proof of purchase to validate warranty (original sales invoice).

This warranty does not extend to any losses or damages due to accident, misuse, abuse, neglect, negligence, unauthorized modification or alteration, use beyond rated capacity, unsuitable power sources or environmental conditions, water, tampering, cosmetic damages, or improper installation, handling, repair, maintenance, or application, or lack of proper maintenance.

If the item exhibits such a defect, BODYCRAFT will, at its option, repair or replace it without cost for parts. Shipping and handling charges may apply. (BODYCRAFT may require return of the part(s) or photographic evidence of the damaged part(s) prior to replacement.) Serial number is required.

Parts repaired or replaced will be warranted for the remainder of the original warranty period only.

<u>Warranty for Strength Equipment:</u>	<u>Residential Use</u>	<u>Commercial Use</u>
Frame:	Lifetime	10 years
Structural Moving Parts:	10 years	5 years
Roller Parts:	10 years	3 years
Cables, Upholstery & Accessories:	10 years	2 years
Labor:	90 days	90 days

This warranty excludes the following:

1. The warranty does not cover normal maintenance or labor charges unless labor terms are listed above.
2. Normal cosmetic wear on parts such as paint, seat coverings, foot rails, labels and logos.
3. Any accessories not included in the original packaging.
4. Warranty does not cover normal wear and tear.

* This warranty is in lieu of all warranties, expressed or implied, and/or all other obligations or liabilities on our part, and we neither assume nor authorize any person to assume for us any other obligation or liability in connection with the sale of your BODYCRAFT product. Under no circumstances shall we be liable by virtue of this warranty or otherwise for damage to any person or property whatsoever for any special, indirect, incidental, secondary or consequential damage of any nature whatsoever arising out of the use or inability to use the BODYCRAFT product.

Register your product's warranty at www.bodycraft.com/product-registration.html



800.990.5556
SERVICE@BODYCRAFT.COM
WWW.BODYCRAFT.COM



BODYCRAFT
7699 GREEN MEADOWS DR.
LEWIS CENTER, OHIO 43035