

BODYCRAFT

F733 Extra Bar Catch Set

for the BodyCraft F730 PRO (Power Rack)



Owner's Manual

To see in **FULL COLOR** & additional information, scan this QR code.

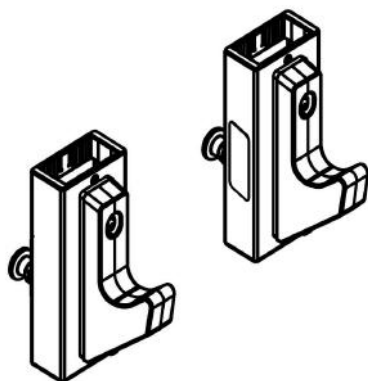


Base Lot Number: _____
Purchased Date: ___ / ___ / _____
Dealer's Name: _____
Please register your products at:
<https://www.bodycraft.com/product-registration/>



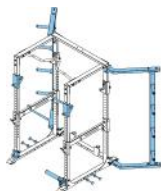
BODYCRAFT
Lot Code: F733-YYMMDD

Assembled Parts List



Part #	Assembly Parts List	QTY
F733-801-R-ASM	Bar Catch, Adjustable, Right - Assembly	1
F733-801-L-ASM	Bar Catch, Adjustable, Left - Assembly	1

STEP 1: Installation of the F733 Extra Bar Catch Set to an F730 PRO (Power Rack)



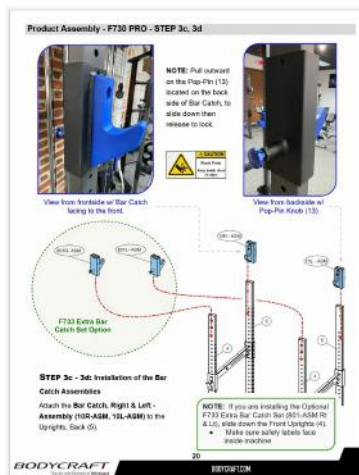
[F730 PRO - Power Rack](#)



F733 v1.2

F733 - Mounting on the F730 PRO, Detailed Parts List & Parts Exploded View

STEP 2: Installation of the F733 Option on the F730 PRO during STEP 3c-d



Part #	Detailed Parts List	QTY
F733-801	Bar Catch Adjuster	2
F733-802	Inner Sliding Sleeve, Rectangular	4
F733-803	Bar Catch Cover, Blue Rubber	2
F733-804	Screw, Hex Recessed Flat Head 5/16" x 7/8" - BLACK	4
F733-805	Washer, Flat 5/16"-BLACK	4
F733-806	Pop Pin, Blue, Alum, 45mm L	2
F733-807	Warning Label- Pinch Point, Vertical	2



(801)



(802)



(803)



(804)



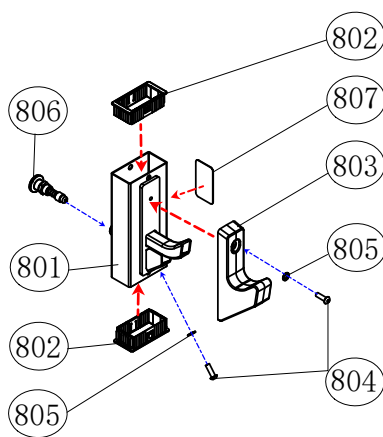
(805)



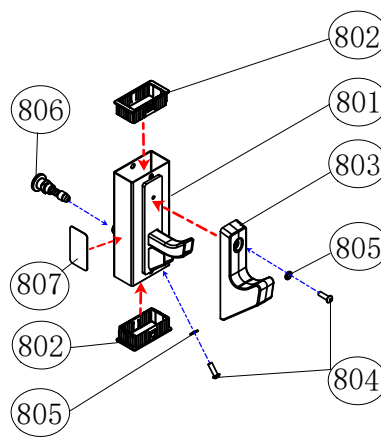
(806)



(807)



801L-ASM



801R-ASM

NOTE: Parts are not to scale