

# BODYCRAFT

## EXP SERIES™

### T1200 Decline Kit (T1200-DK)

for the BODYCRAFT T1200 Treadmill

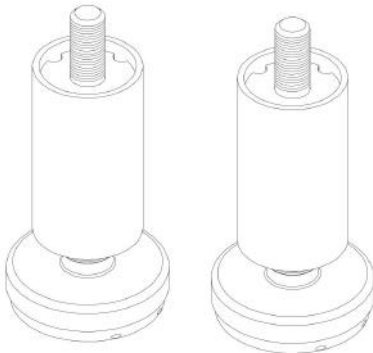


### Owner's Manual

For the Owner's Manual,  
Assembly STEPS in  
**FULL COLOR**  
& additional information,  
scan this QR code.



### Assembled Parts List



Part #	Assembly Parts List	QTY
T120-DK-001-ASM	Frame, Extension w/ Stabilizer Foot - Flat Base, for Decline Kit - BLK - Assembly	2

THE FOLLOWING TOOLS ARE **RECOMMENDED** FOR EASIER ASSEMBLY:



24mm COMBINATION WRENCH



ADJUSTABLE WRENCH

T1200-DK OM v1.2



WWW.BODYCRAFT.COM



800-990-5556



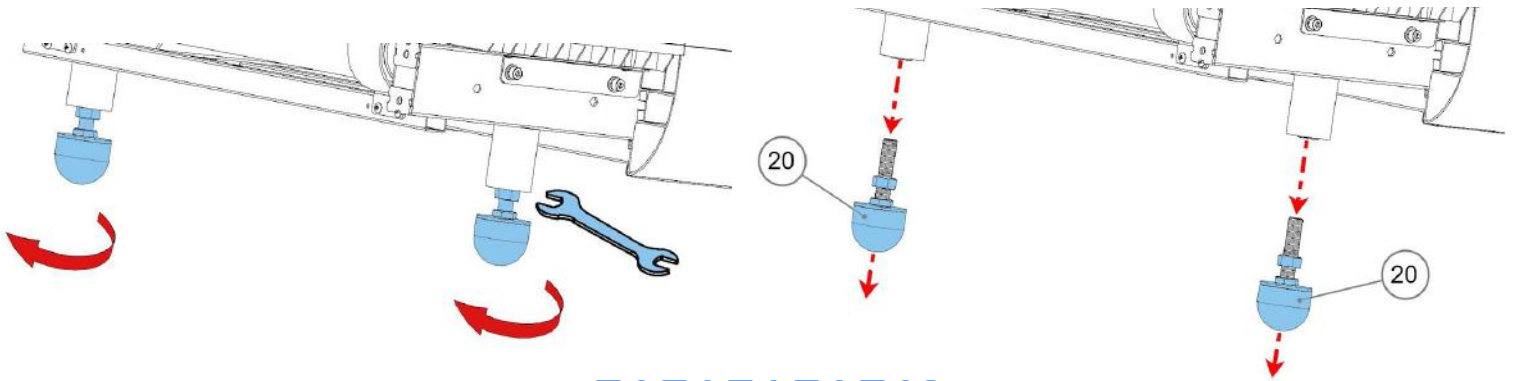
SERVICE@BODYCRAFT.COM

# Product Assembly

## STEP 1 - GENTLY Tip Treadmill on it's Side



## STEP 2 - Take off the Rear Stabilizer Feet w/ the Round Rubber Base



**Recommended Tool:**

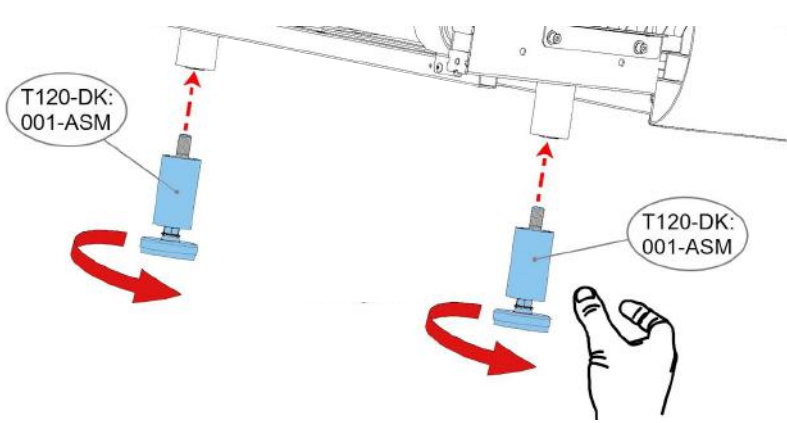
24mm COMBINATION WRENCH



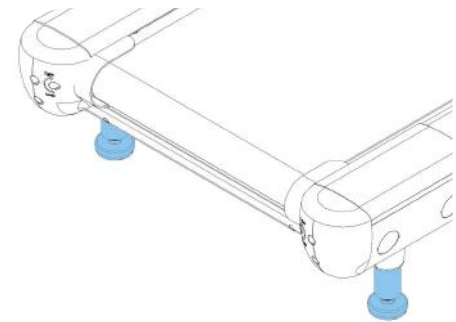
Part #	Description	Qty
T120:020	Stabilizer Foot - Self Leveling - Round Rubber Base - Rear	2

# Product Assembly

## STEP 3 - Install the Decline Kit w/ the Flat Base Feet



Part #	Assembly Parts List	QTY
T120-DK-001-ASM	Frame, Extension w/ Stabilizer Foot - Flat Base, for Decline Kit - BLK - Assembly	2



## STEP 4 - GENTLY Tip Treadmill back Upright, Level & Tighten Jam Nut



Watch **Leveling the Treadmill** on YouTube



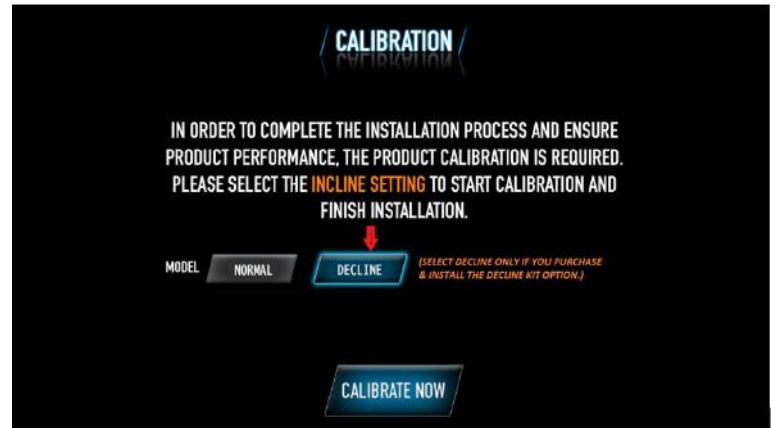
**Please Tighten All Bolts at this time.**

## DECLINE KIT CALIBRATION

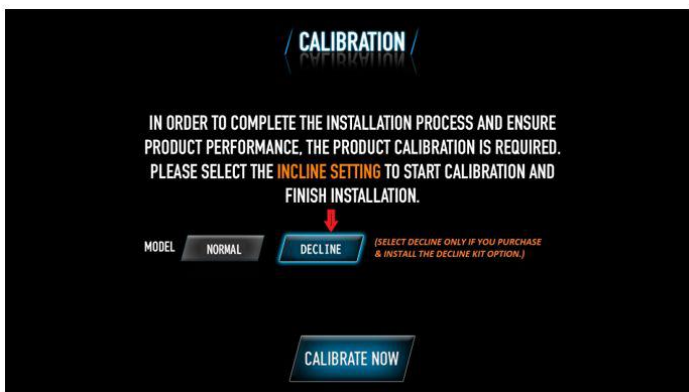
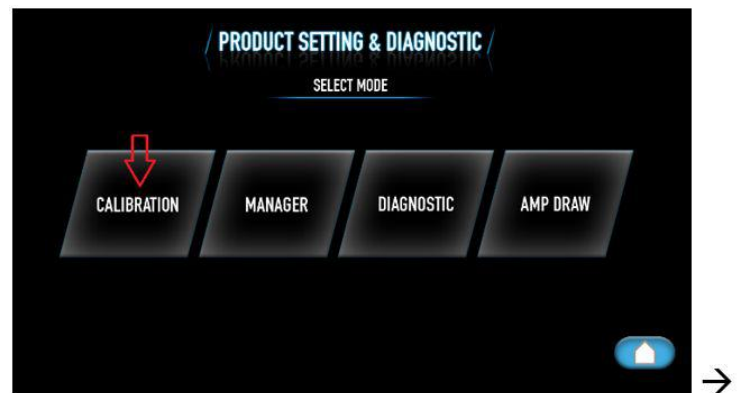
*To ensure product performance, calibration must be performed after the Decline Kit installation.*

For Touch Screen Console:

- **When Installing the Decline Kit Along with the Treadmill:** Select Decline kit option during calibration process.



- **If installing the Decline Kit after the Treadmill is Already Assembled and Calibrated:** Go to product setting by pressing the middle of BODYCRAFT logo on home page for a few seconds until the product setting opens.



### DECLINE KIT CALIBRATION

*To ensure product performance, calibration must be performed after the Decline Kit installation.*

For LED console:

- **When Installing the Decline Kit Along with Treadmill:** Select DECLINE kit option during calibration process. The message window will display SELECT THE OPTION TO CALIBRATE during calibration process. Press Speed/Incline UP/DOWN key to switch it from T1200-NORMAL to T1200-DECLINE. You must select T1200-DECLINE to start calibration.



- **If installing the Decline Kit after Treadmill is Already Assembled and Calibrated:** Press INCLINE – key for a few seconds during idle mode to activate the calibration mode. The message will display T1200-NORMAL, then press Speed/Incline UP/DOWN key to switch it from T1200-NORMAL to T1200-DECLINE. You must select T1200-DECLINE to start calibration.



**Caution:** Please be advised that the installation of the Decline Kit will result in an elevated position of the treadmill.

For safety reasons, it is crucial to ensure that:

- Small children
- Pet of all sizes
- Any & all objects



are kept away from the area to prevent any potential harm.





800.990.5556  
SERVICE@BODYCRAFT.COM  
WWW.BODYCRAFT.COM



BODYCRAFT  
7699 GREEN MEADOWS DR.  
LEWIS CENTER, OHIO 43035