

# BODYCRAFT

## EXP SERIES™

### T1200 Treadmill



For the Owner's Manual  
Assembly STEPS in  
**FULL COLOR**  
& additional information,  
scan this QR code.



Base Serial Number: T120 \_\_\_\_\_

Console Serial Number: \_\_\_\_\_

Purchased Date: \_\_\_ / \_\_\_ / \_\_\_\_\_

Dealer's Name: \_\_\_\_\_

Please register your products at:

<https://www.bodycraft.com/product-registration/>



Base Serial Number

## Owner's Manual

T1200 (T120) OM v1.2



[WWW.BODYCRAFT.COM](http://WWW.BODYCRAFT.COM)



800-990-5556



[SERVICE@BODYCRAFT.COM](mailto:SERVICE@BODYCRAFT.COM)

**This page intentionally left blank**

## ***Congratulations and Welcome to the BODYCRAFT Family***

***Thank you for selecting BODYCRAFT. Your choice reflects a wise investment in you and your facility. We hope you use it for many healthy years!***

BODYCRAFT offers a complete array of high-quality fitness equipment. Please refer to our website at [www.bodycraft.com](http://www.bodycraft.com) to view more ways to enhance your lifestyle.

Your BODYCRAFT machine has all the quality and design elements to make your workout extremely efficient and comfortable. Your new unit is a serious cardio machine that will keep you motivated, challenged and within reach of your fitness goals. Strength & cardiovascular training is vital for all ages which will provide an effective workout, producing results that will encourage you to reach your fitness goals and maintain the body you have always wanted.

***Spending 15 to 30 minutes a day, three times a week, is all you need to start seeing the benefits of a regular exercise program.***

As a premium exercise equipment manufacturer, we are committed to your complete satisfaction. If you have questions, suggestions or find missing or damaged parts, we guarantee your complete satisfaction through our authorized dealer network or by contacting us directly. Please call your local dealer or BODYCRAFT.

BODYCRAFT (a division of Recreation Supply, Inc.)  
7699 Green Meadows Dr.  
Lewis Center, OH 43035

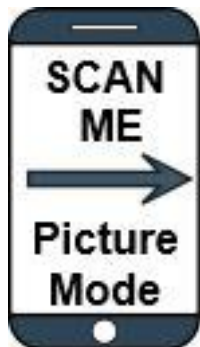
**Phone:** 800-990-5556 9 am - 5 pm EST **Email:** [service@bodycraft.com](mailto:service@bodycraft.com)

Proof of purchase must be supplied to validate warranty and the product must have been registered with BODYCRAFT via online at [www.bodycraft.com](http://www.bodycraft.com) or by calling 800-990-5556 or 740-965-2442 M-F 9 a.m. - 5 p.m. EST.

For parts orders, owner's manuals, software update files, exercise guides and contact information scan this QR code.

Or go to:

<https://www.bodycraft.com/customer-support>



Page

**Product Safety Information**

FCC Information .....	5
Product Safety .....	6 - 7

**Power & Grounding Requirements**

Grounding Instructions .....	8
Power Requirements .....	8

**Product Overview**

Product Overview Components & Tools for Assembly .....	9
Product Specifications .....	10
Machine Dimensions & Room Layouts .....	11
Machine Dimensions w/ Options .....	12
Shipping Boxes and Pre-Assembly TIP .....	13
Assembly Parts .....	14
Assembly Hardware .....	15

**How Assemble the Treadmill**

Product Assembly Instructions .....	16 - 27
-------------------------------------	---------

**NOTE: Critical to finish all the Setup procedures after Assembly is done.**

**How to Setup the Treadmill**

Leveling the Treadmill (Making it stable) .....	28
Spacing Requirements .....	28
Running Belt Tension & Alignment .....	29
Installation Checklist .....	30



Energy  
saving

**Energy Saving function:** These treadmill consoles are equipped with a power saving function. This means after 10 minutes of inactivity, the treadmill will automatically power off. Press any key on the dashboard to wake up the console from power save mode.

## Page

**Maintenance & Repairs**

Cleaning your Treadmill.....	31
Preventive Maintenance .....	32
Required Info BEFORE Initiating a Service Case .....	33
Troubleshooting & Error Codes .....	34 - 35
Circuit Diagram .....	36
Detailed Parts Lists .....	37 - 40
Detailed Parts Exploded Views .....	40 - 42

**Warranty**

Product Warranty .....	43
Product Warranty Registration .....	44
Contact Us Information .....	45

**FCC Information**

**Caution:** Please note that changes or modifications not expressly approved by the party responsible for compliance could void the user's authority to operate the equipment.

This device complies with Part 15 of the FCC Rules. Operation is subject to the following two conditions: (1) This device may not cause harmful interference, and (2) this device must accept any interference received, including interference that may cause undesired operation.

**NOTE:** This equipment has been tested and found to comply with the limits for a Class B digital device, pursuant to Part 15 of the FCC Rules. These limits are designed to provide reasonable protection against harmful interference in a residential installation. This equipment generates, uses and can radiate radio frequency energy and, if not installed and used in accordance with the instructions, may cause harmful interference to radio communications. However, there is no guarantee that interference will not occur in a particular installation. If this equipment does cause harmful interference to radio or television reception, which can be determined by turning the equipment off and on, the user is encouraged to try to correct the interference by one or more of the following measures:

Reorient or relocate the receiving antenna.

Increase the separation between the equipment and receiver.

Connect the equipment into an outlet on a circuit different from that to which the receiver is connected.

Consult the dealer or an experienced radio/TV technician for help.

**FCC CAUTION: Changes or modifications not expressly approved by the party responsible for compliance could void the user's authority to operate this equipment.**



**There is a risk assumed by individuals who use this type of equipment. A moment's lack of attention can result in an accident, as can failure to observe certain simple safety precautions.**

**Read, study and understand the Assembly Instructions and all the warning labels on this product. Furthermore, it is recommended to familiarize yourself and others with the proper operation and workout recommendations for this BODYCRAFT product prior to use.**

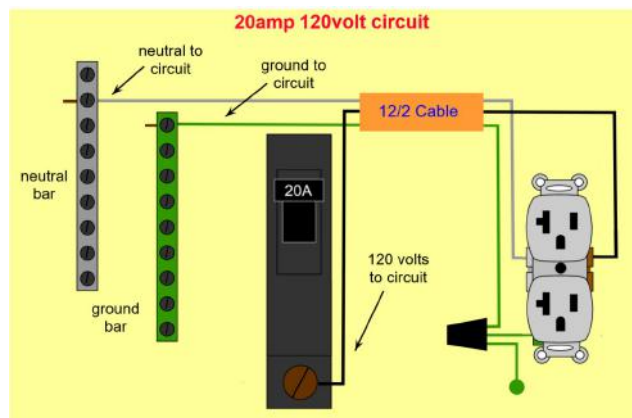
- Keep children under the age of 13 and pets away from the equipment at all times. Do not allow children and pets to use or play on the equipment. Keep children and pets away when it is in use.
- The treadmill is not intended for use by persons with reduced physical, sensory, or mental capabilities or lack of experience and knowledge, unless they have been given supervision or instruction concerning use of the treadmill by someone responsible for their safety.
- Wear the safety cord and clip all times while using the treadmill. Always stand on the side rails before the treadmill starts.
- Before beginning any exercise program on the treadmill, it is important to consult with your physician if you have any of the following: history of heart disease, high blood pressure, diabetes, chronic respiratory diseases, elevated cholesterol, if you smoke cigarettes or if you experience any other chronic diseases or physical complaints.
- If over the age of 35 or overweight or pregnant, consult with your physician before beginning any exercise program.
- If you experience dizziness, nausea, chest pains or other abnormal symptoms during exercise, stop the exercise session immediately. Consult your physician before continuing.
- Drink fluids if you exercise for twenty or more minutes on the treadmill.
- Always follow the console instructions for proper operation.
- Never operate your treadmill if it has a damaged cord or plug, or if it is not working properly. Contact your authorized BODYCRAFT fitness dealer for service and repair.
- Keep the power cord away from heated surfaces.
- Never insert any objects or body parts into openings.
- Keep hands and feet away from all moving parts.
- Use the handrails when getting on and off your treadmill.
- Check the power requirement for your unit to see if it matches your local power outlet.
- Do not operate the heart rate monitor transmitter together with an electrical heart pacemaker. The transmitter may cause electrical disturbances.
- Inspect this treadmill prior to exercising to ensure it is working properly. Always make sure all components are fastened securely.
- This treadmill is intended for indoor use. Do not place the unit outdoors or any damp or wet locations.



- Keep the treadmill away from walls to allow proper ventilation. Air should be able to circulate freely around the unit. Keep all air openings free of dirt and dust.
- Place the treadmill in an area that will meet minimum clearance requirements: Front 12" (.3m), Sides: 20" (.5m) & Back 79" (2m) and from any obstruction object while using the machine.
- Wear proper exercise clothing and shoes for your workout and avoid loose clothing. Never exercise in bare feet or socks; always wear correct footwear, such as running, walking, or cross-training shoes.
- Higher speed and higher incline is not for everyone. It is designed for occasional use of a skilled runner and may exceed many users' capabilities. Stop right away if you feel any discomfort. Never walk or jog or run backwards on the treadmill.
- Place your treadmill on a solid, level surface when it is in use. Adjust the levelers at the rear of the treadmill if necessary.
- Be careful to maintain your balance while using, mounting, dismounting, or assembling the equipment. Loss of balance may result in a fall and serious bodily injury. Use care when getting on or off the treadmill. When stepping on the running belt, always grasp the handrail and keep the initial speed at or below 1 mile per hour (mph).
- Make sure the running belt is at a complete stop before exiting the machine.
- Never leave the treadmill unattended when plugged in. Unplug from outlet when not in use, before putting on or taking off parts. When the treadmill is not in use, disconnect the treadmill by turning the power switch to the Off position, and then remove the power plug from the electrical outlet.
- Always attach the Safety key securely to your clothing when using the treadmill.
- Do not pull the treadmill by the power cord or use cord as a handle. Always use two hands to lift the treadmill and roll it on its front wheels.
- Keep the power cord away from heated surfaces.
- Keep the top side of the moving surface clean and dry or potential injury will occur.
- Read, understand, and test the emergency stop procedures before use.
- To ensure proper function of your treadmill, do not install attachments or accessories not provided or recommended by BODYCRAFT.
- This **T1200 Treadmill** is intended for home use and commercial, rental, or institutional setting. Use only for its intended purpose described in this manual.
- The **T1200 Treadmill** user's weight is not to exceed 550 lbs (249.5 kgs).

## Safety and Warning for a Treadmill - Electrical & Grounding Instructions

This product must be grounded. If the treadmill's electrical system should malfunction or breakdown, grounding provides a path of least resistance for electric current, reducing the risk of electric shock. This product is equipped with a cord having an equipment-grounding plug. The plug must be plugged into an appropriate outlet that is properly installed and grounded in accordance with all local codes and ordinances.



**DANGER** - Improper connection of the equipment-grounding conductor can result in a risk of electric shock. Check with a qualified electrician or serviceman if you are in doubt as to whether the product is properly grounded. Do not modify the plug provided with the product if it will not fit the outlet; have a proper outlet installed by a qualified electrician.

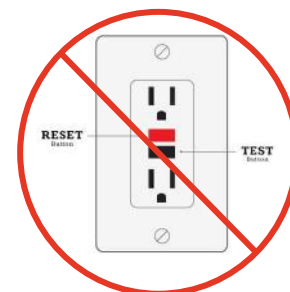
This product is for use on a nominal 120 volt wall circuit, and has a grounding plug that looks like the plug illustrated in the figure. Make sure that the product is connected to an outlet having the same configuration as the plug. No adapter should be used with this product.

## Safety and Warning for a Treadmill - Power Requirements T1200 (T120)

It is recommended that your treadmill be plugged into a **Dedicated** 120V / 20 AMP (NEMA 5-20R T-SLOT). The treadmill must be connected to a grounded receptacle having the same configuration as the plug. Do not modify the plug provided with this product. If it will not fit the outlet, have a proper outlet installed by a qualified electrician.



**NOTE:** DO NOT USE an GFCI wall outlet. A treadmill uses the ground on the outlet to disperse static electricity generated by its belt, deck and motor design. Highly likely if using an GFCI outlet, it will trip the breaker and shut down the treadmill, potentially causing the treadmill's electronics failure or serious injury to the user.



**A power strip should never be used.** Extension cords should be avoided, but we realize that in some cases an extension cord is needed. In this case, Appliance Grade extension cords are available at most hardware stores. Buy only the minimum length required; avoid anything longer than 6 feet. Try to find one made with 12 gauge wire (3-wire is required). Do not use an adapter with your treadmill. To reduce the risk of electric shock, always unplug the treadmill from the electrical outlet before cleaning or lightning storms.





# Product Overview and Tools for Assembly - T1200 (T120)



**Energy Saving function:** These treadmill consoles are equipped with a power saving function. This means after 10 minutes of inactivity, the treadmill will automatically power off. Press any key on the dashboard to wake up the console from power save mode.

## FCC Information

**Caution:** Please note that changes or modifications not expressly approved by the party responsible for compliance could void the user's authority to operate the equipment.

This device complies with Part 15 of the FCC Rules. Operation is subject to the following two conditions:

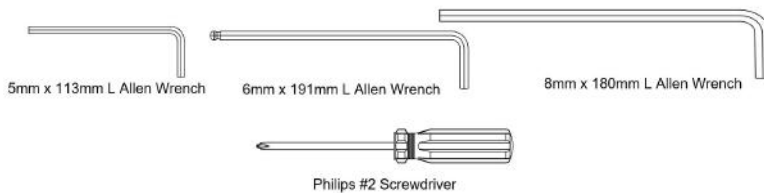
(1) This device may not cause harmful interference, and (2) this device must accept any interference received, including interference that may cause undesired operation.

**NOTE:** This equipment has been tested and found to comply with the limits for a Class B digital device, pursuant to Part 15 of the FCC Rules. These limits are designed to provide reasonable protection against harmful interference in a residential installation. This equipment generates, uses and can radiate radio frequency energy and, if not installed and used in accordance with the instructions, may cause harmful interference to radio communications. However, there is no guarantee that interference will not occur in a particular installation. If this equipment does cause harmful interference to radio or television reception, which can be determined by turning the equipment off and on, the user is encouraged to try to correct the interference by one or more of the following measures:

- Reorient or relocate the receiving antenna.
- Increase the separation between the equipment and receiver.
- Connect the equipment into an outlet on a circuit different from that to which the receiver is connected. Consult the dealer or an experienced radio/TV technician for help.

**FCC CAUTION:** Changes or modifications not expressly approved by the party responsible for compliance could void the user's authority to operate this equipment.

## THE FOLLOWING TOOLS ARE INCLUDED FOR ASSEMBLY:



## THE FOLLOWING TOOLS ARE RECOMMENDED FOR EASIER ASSEMBLY:



ALLEN WRENCHES SET  
(4mm to 10mm)



PHILLIPS SCREWDRIVER #2  
w/ Magnetic TIP



TORQUE WRENCH 3/8 DRIVE  
w/ 4mm, 5mm & 6mm ALLENS

## Product Specifications & Console Options - T1200 (T120)

<b>DRIVE MOTOR</b>	6.0HP AC Motor
<b>INCLINE MOTOR</b>	AC 1,300 LBS Thrust
<b>SPEED RANGE</b>	0.3 - 15 MPH
<b>INCLINE RANGE</b>	0 - 15% (or -3-12% with decline kit)
<b>RUNNING BELT</b>	22"W x 62"L Self Lubricating Wax Infused Belt
<b>DECK</b>	Reversible 1" Thick Deck
<b>LUBRICATION</b>	Maintenance Free
<b>FRAME</b>	Heavy Duty Steel Frame Construction
<b>STABILITY</b>	Oversized Self Leveling Stabilizer Feet
<b>MOBILITY</b>	Built-In Transport Wheels
<b>ROLLERS</b>	3" Diameter Crowned Rollers with Sealed Ball Bearings
<b>POWER</b>	120V - 20 Amp Dedicated Circuit Recommended NEMA 5-20R
<b>MAX USER WEIGHT</b>	550lbs
<b>MEASUREMENTS</b>	84.3" L x 35.9" W x 64.6" H - 440 LBS (Assembled)
<b>OPTIONAL KITS</b>	Connect22/TV Bracket, Decline Kit, Extended Handrail Kit

## CONSOLE OPTIONS

**19 INCH**  
TOUCHSCREEN



**LED**  
DISPLAY



**16 INCH**  
TOUCHSCREEN



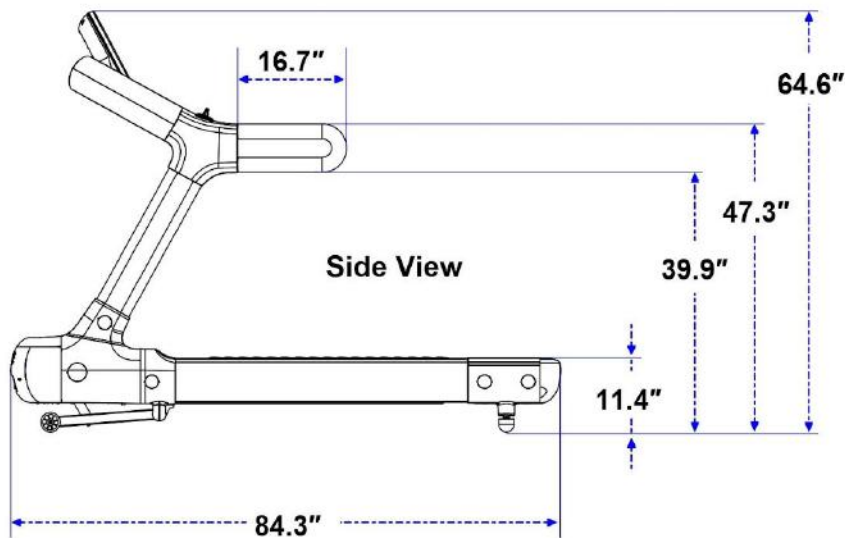
For the Console  
Operation Manual -  
FULL version, in  
**FULL COLOR**  
& additional  
information,  
scan this QR code.



### Disclaimer Notice: Use of Third-Party Software or Apps

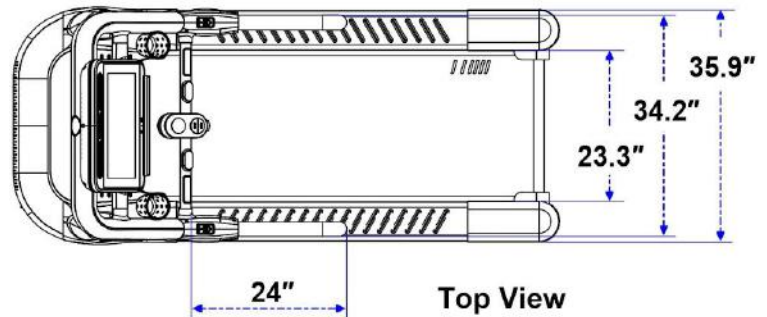
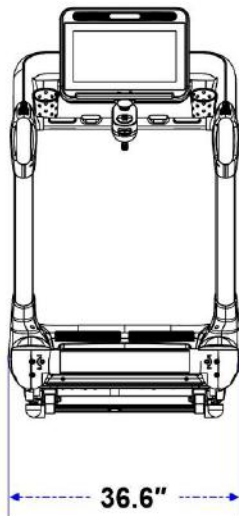
We may recommend use of 3rd party software, apps, information, products, or web sites that are owned or operated by other companies. While we endeavor to direct you to helpful, trustworthy websites resources, We cannot endorse, approve, or guarantee software, information, Apps, products, or services provided by a third-party resource or track changes in the resource. Thus, we are not responsible for the content or accuracy of any third-party resource or for any loss or damage of any sort resulting from the use of, or for any failure of, products or services provided at or from a third-party resource.

# Machine Dimensions & Room Layouts - T1200 (T120)



## T1200 Overall Dimensions

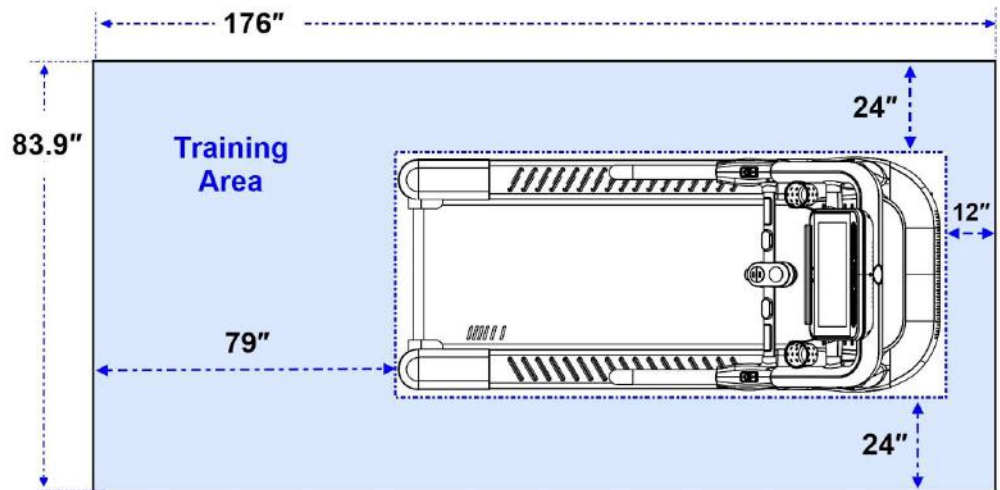
84.3" L x 36.6" W x 64.6" H  
(214.1 cm L x 93 cm W x 164.1 cm H)



### Recommended Training Area

176" L x 84" W  
(447 cm L x 213.4 cm W)

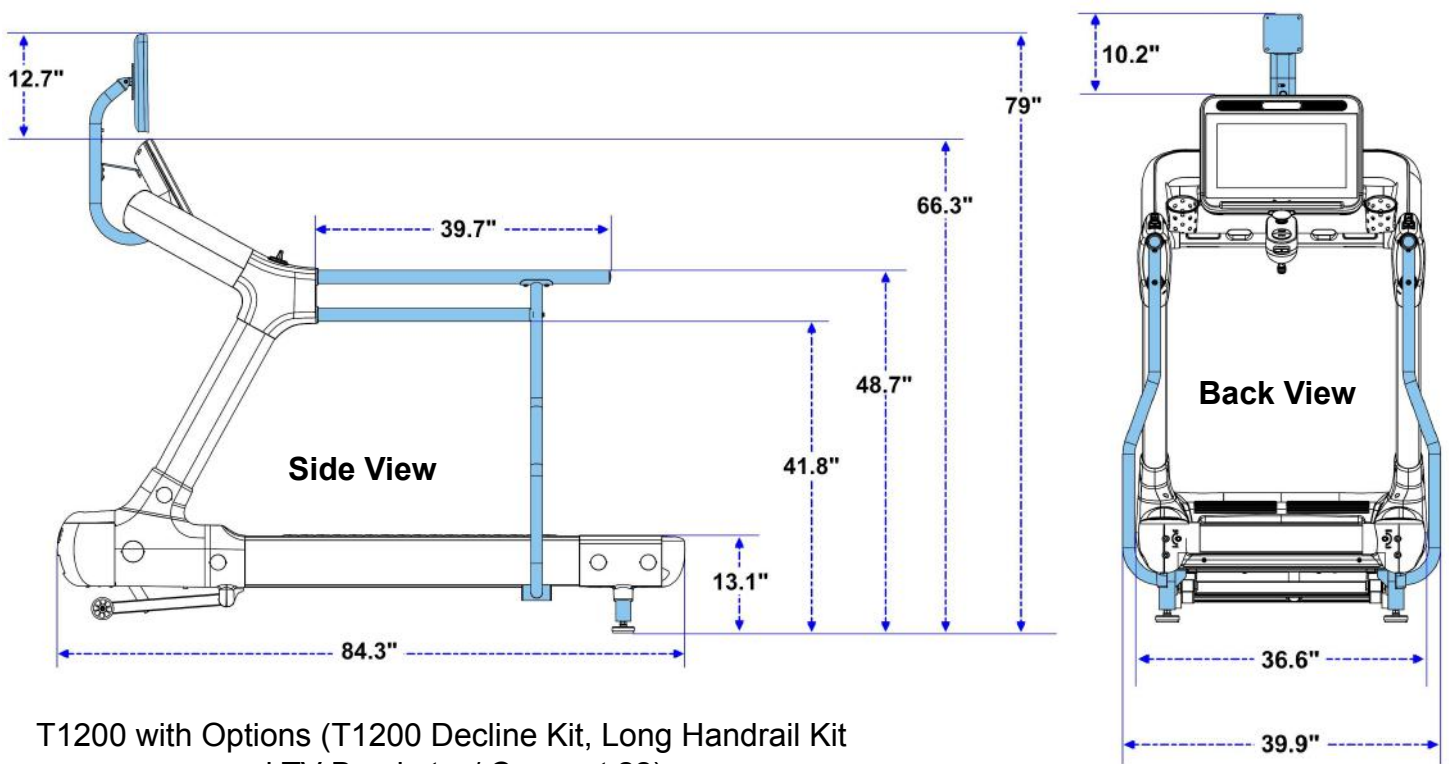
Front: 12" (30.5 cm)  
Back: 79" (200.7 cm)  
Left Side: 24" (61 cm)  
Right Side: 24" (61 cm)



**For ADA Compliance under #1004 Exercise Machines and Equipment:**

Minimum of 36" for entry, use & exit of machine required. Add 12" in the Training Area where needed.

## Machine Dimensions w/ Options - T1200 (T120)

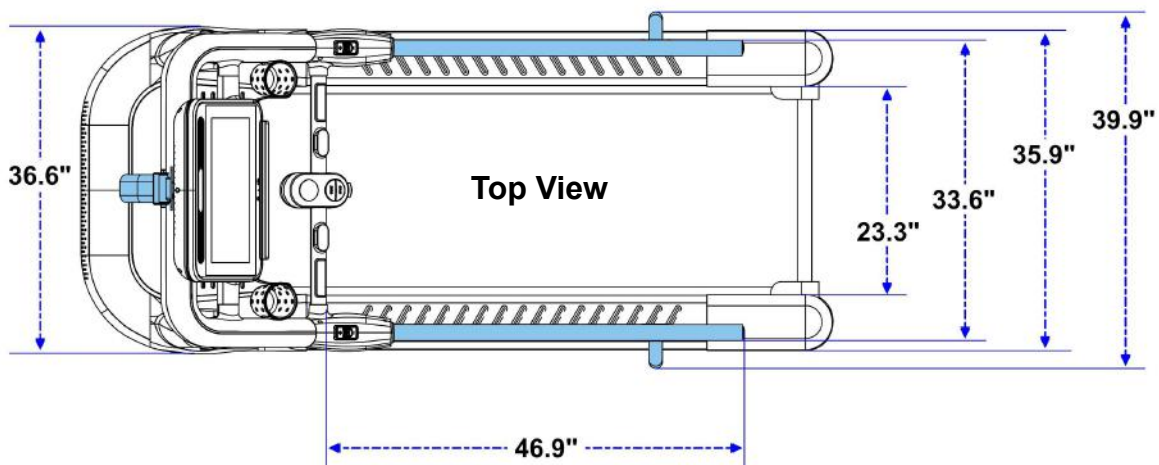


T1200 with Options (T1200 Decline Kit, Long Handrail Kit and TV Bracket w/ Connect 22)

T1200 with Options (T1200 Decline Kit, Long Handrail Kit and TV Bracket)

## T1200 Overall Dimensions w/ Options

- T1200 Decline Kit (while on the T1200) ..... 84.3" L x 36.6" W x 66.3" H
- T1200 Long Handrail Kit (while on the T1200) ..... 84.3" L x 39.9" W x 64.6" H
- T1200 TV Bracket w/ Connect 22 (while on the T1200) ..... 84.3" L x 36.6" W x 79".0 H
- T1200 Decline Kit, Long Handrail kit and TV Bracket (on T1200) ..... 84.3" L x 39.9" W x 64.6" H
- T1200 Decline Kit, Long Handrail kit and Connect 22 (on T1200) ..... 84.3" L x 39.9" W x 79".0 H



T1200 with Options (T1200 Decline Kit, Long Handrail Kit and TV Bracket)

## Shipping Boxes and Pre-Assembly Tip - T1200 (T120)

### Small Box 3 of 3

28" L x 18" W x 6" H

T2-WLED @ 14.0 lbs (1 ea.)

or

T2-16TS @ 14.75 lbs (1 ea.)

or

T2-19TS @ 17.0 lbs (1 ea.)



(Includes the console model that was ordered)

Note: Shown above with the upgraded T2-19TS console

### Medium Box 2 of 3

1 each @ 63.5 lbs  
37.4" L x 32.3" W x 13" H



### Large Box 1 of 3

1 each @ 376 lbs  
88.4" L x 39.2" W x 16.3" H



**Pre-Assembly TIP:** Place all parts from the boxes in a cleared area and position them on the floor in front of you. Remove all packing materials from your area and place them back into the box. Do not dispose of the packing materials until assembly is completed.

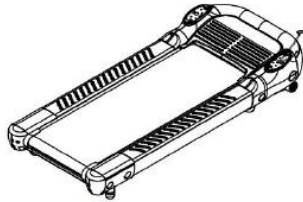
Read each step carefully before beginning.

BODYCRAFT reserves the right to make improvements at any time which may affect color, parts, materials, size, weight, or any other aspect.

# Assembly Parts - T1200 (T120)

**NOTE:** For a complete service parts list, please refer to the detailed parts list & exploded view at the rear of this manual.

## Large Box #1



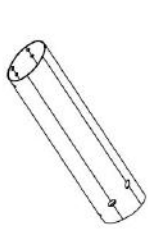
Frame, Main Base  
(DIAMOND GRAY) X1  
part#1 (INBOX#1)



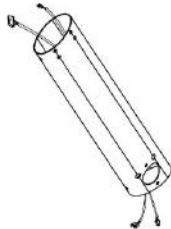
Frame, Upright  
Connecting Tube,  
Right X1  
part#70 (INBOX#1)



Frame, Upright  
Connecting Tube,  
Left X1  
part#71 (INBOX#1)



Upright Post,  
Left Side ( T ) X1  
part#72 (INBOX#1)



Upright Post,  
Right Side ( T ) X1  
part#73 (INBOX#1)



Upright Cover, Outer  
Bottom, Right X1  
part#138 (INBOX#1)



Upright Cover, Inner  
Bottom, Right X1  
part#139 (INBOX#1)



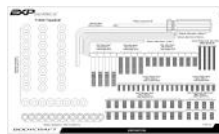
Upright Cover, Outer  
Bottom, Left X1  
part#140 (INBOX#1)



Upright Cover, Inner  
Bottom, Left X1  
part#141 (INBOX#1)

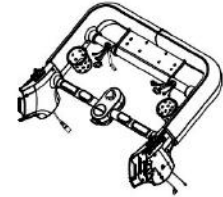


Assembly Manual

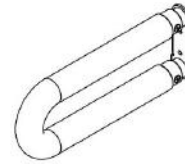


Hardware & Tool Kit

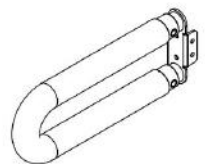
## Medium Box #2



Dashboard Assembly X1  
(INBOX#2)



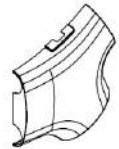
Foam handgrip -left  
X1  
part#76 (INBOX#2)



Foam handgrip -Right  
X1  
part#77 (INBOX#2)



Handlebar Cover,  
Outer Left X1  
part#155 (INBOX#2)



Handlebar Cover,  
Inner Left X1  
part#157 (INBOX#2)

## Small Box #3



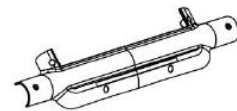
Console X1  
part#170 (INBOX#3)



Mounting Plate, Console X1  
part#171 (INBOX#3)



Console Operation  
Manual



Console Rear Cover X 1  
part#159 (INBOX#2)

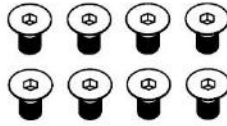
**NOTE:** Parts are not to scale

## Assembly Hardware - T1200 (T120)

**NOTE:** For a complete service parts list, please refer to the detailed parts list & exploded view at the rear of this manual.



**Bolt, Flat Allen Head**  
M8 x 1.25P x 15mm L - BLK  
(20 each) #142



**Bolt, Allen Head**  
M8 x 1.25P x 15mm L - BLK  
(8 each) #143



**Screw, Phillips Head**  
M4 x 0.7P x 50mm L - BLK  
(4 each) #160



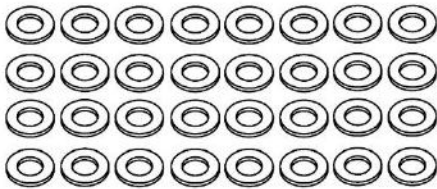
**Bolt, Allen Head**  
M8 x 1.25P x 35mm L  
- BLK (4 each) #172



**Bolt, Allen Head**  
M8 x 1.25P x 20mm L - BLK  
(8 each) #173



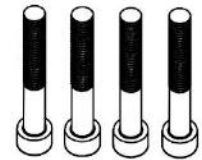
**Washer, Spring, M8 - BLK**  
(12 each) #174



**Washer, Flat,**  
M8 x Ø16 x T1.0 - BLK  
(32 each) #175



**Screw, Phillips Head**  
M5 x 0.8P x 12mm L - BLK  
(6 each) #190



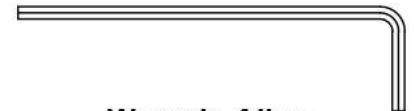
**Bolt, Allen Head**  
M8 x 1.25P x 60mm L -  
BLK (4 each) #191



**Screw, Phillips Head**  
M4 x 0.7P x 12mm L  
- BLK (14 each) #192



**Wrench, Allen**  
5mm x 113mm L  
(1 each) #237



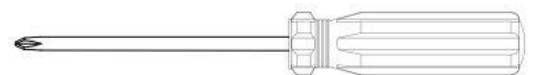
**Wrench, Allen**  
5mm x 180mm L  
(1 each) #238



**Wrench, Allen**  
6mm x 190 mm L  
(1 each) #239



**Wrench, Allen**  
8mm x 180mm L  
(1 each) #240



**Phillips Screwdriver #2**  
(1 each) #241

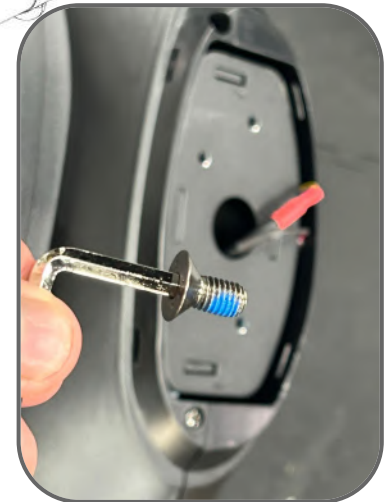
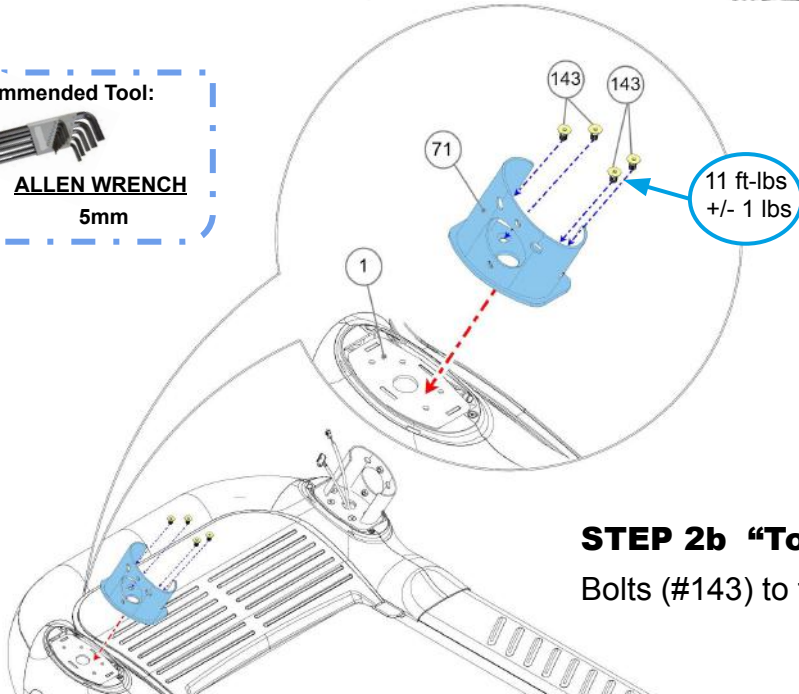
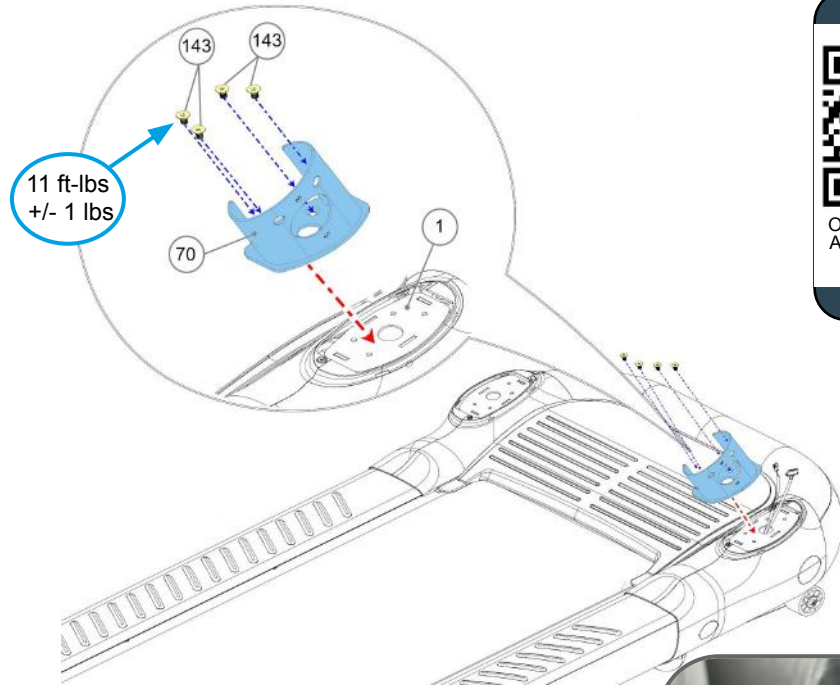
**NOTE:** Parts are not to scale

**DECISION POINT**

If you are assembling a T1200 without a Connect-22, **Go to STEP 1 below**

If you are simultaneously assembling a T1200 & the Connect-22, **Go directly to the T1200-TV (Bracket) Owner's Manual**

**STEP 1 & 2 – Install Upright Connecting Tubes (Rt & Lt)**



**STEP 2b “Torque Time”** - Tighten the Allen Head Bolts (#143) to the recommended **11 ft-lbs +/- 1 lbs.**



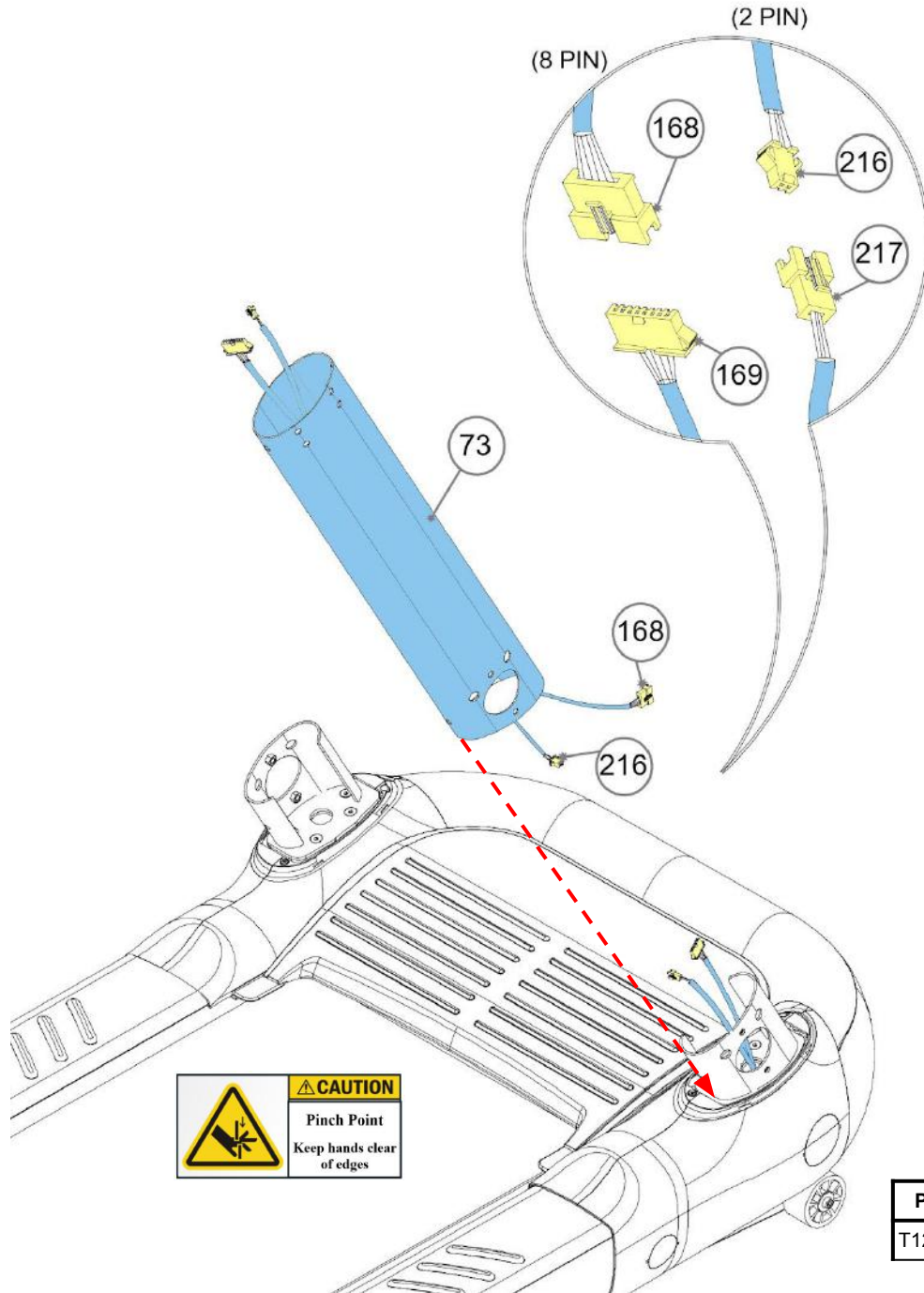
View Keys

- Red dotted (large):** Structural parts assembled direction.
- Red dotted (med):** Sub-parts assembled direction.
- Blue dotted lines (small):** Hardware assembled direction.

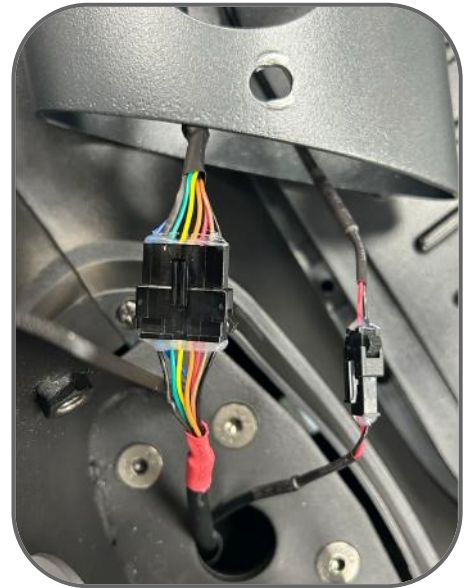
Part #	Description	Qty
T120:070	Frame, Upright Connecting Tube, Right	1
T120:071	Frame, Upright Connecting Tube, Left	1
T120:143	Bolt, Allen Head, M8 x 1.25P x 15mm L - BLK	8



**STEP 3 – Connect Cables on Right Upright Post**



Be Careful To Not Pinch Wires



Part #	Description	Qty
T120:073	Upright Post, Right Side ( T )	1

**NOTE:** Confirm connections have no bent pins (**Fig. 2**) and are securely locked (**Fig. 3**) with a gentle pull after connected.



Fig. 2

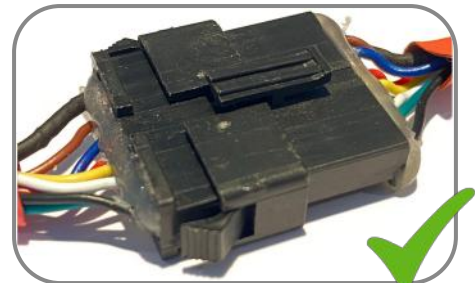
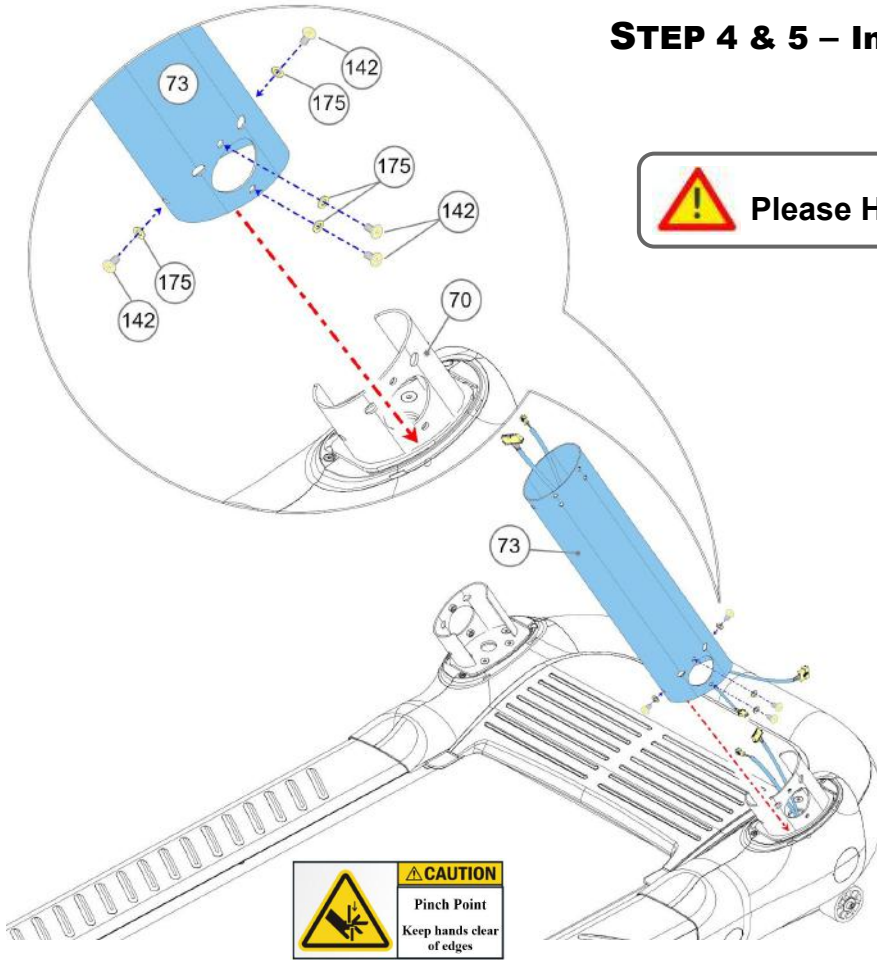


Fig. 3

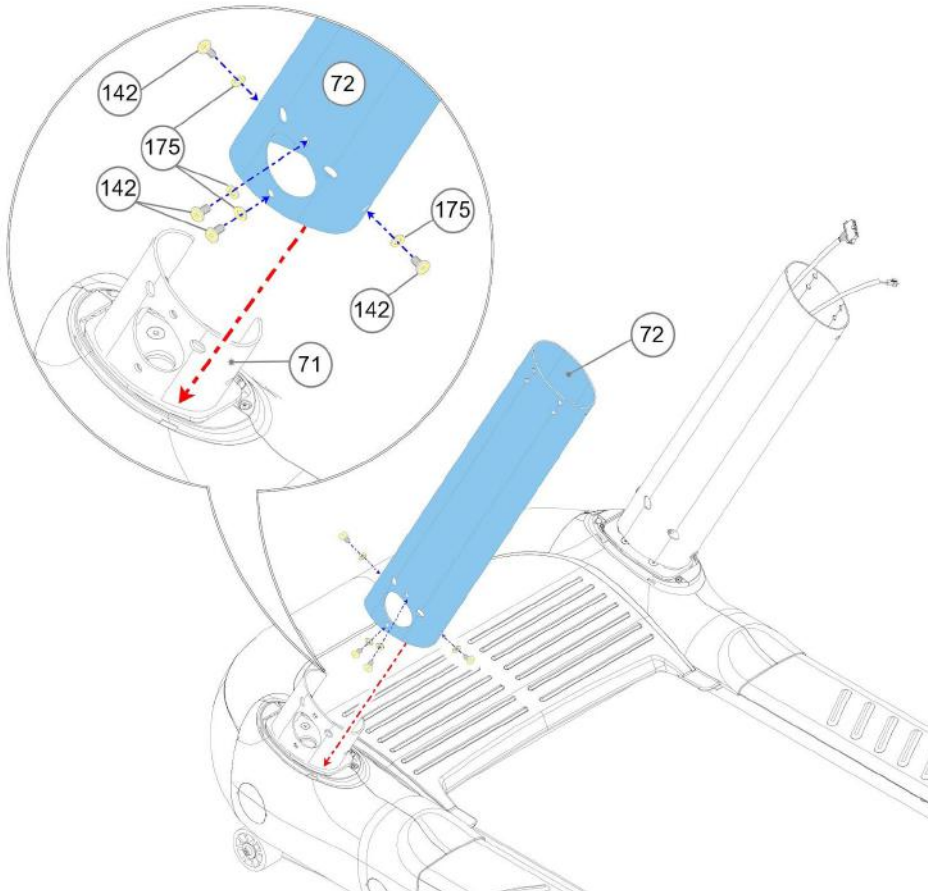
**STEP 4 & 5 – Install Upright Posts (Rt & Lt)**



**Please Hand Tighten All Bolts Until STEP 10b**



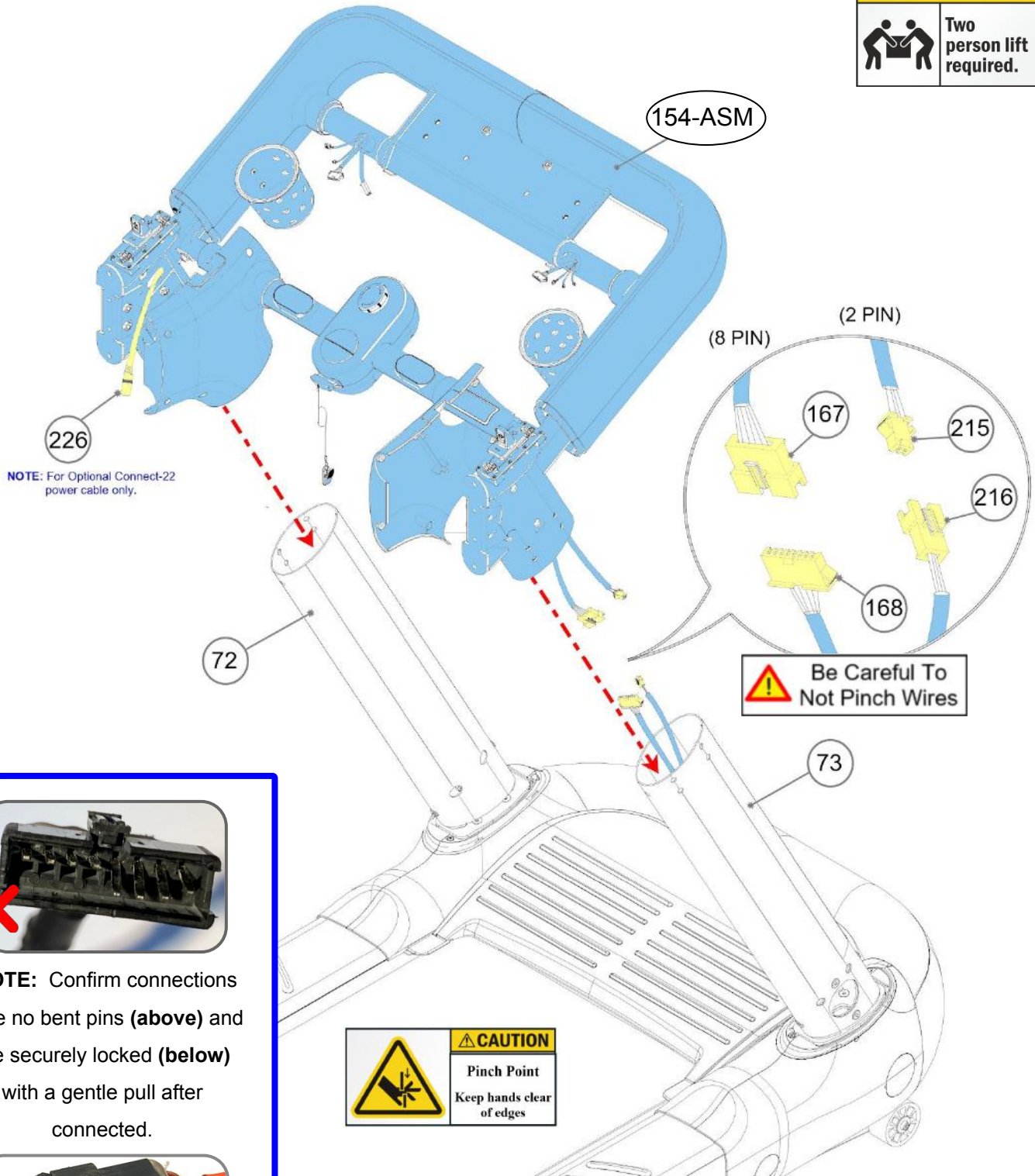
**Be Careful To Not Pinch Wires**



Part #	Description	Qty
T120:072	Upright Post, Left Side ( T )	1
T120:073	Upright Post, Right Side ( T )	1
T120:142	Bolt, Flat Allen Head, M8 x 1.25P x 15mm L - BLK	8
T120:175	Washer, Flat, M8 x Ø16 x T1.0 - BLK	8

# Product Assembly

## STEP 6 – Install Dashboard Assembly





**NOTE:** Confirm connections have no bent pins (**above**) and are securely locked (**below**) with a gentle pull after connected.

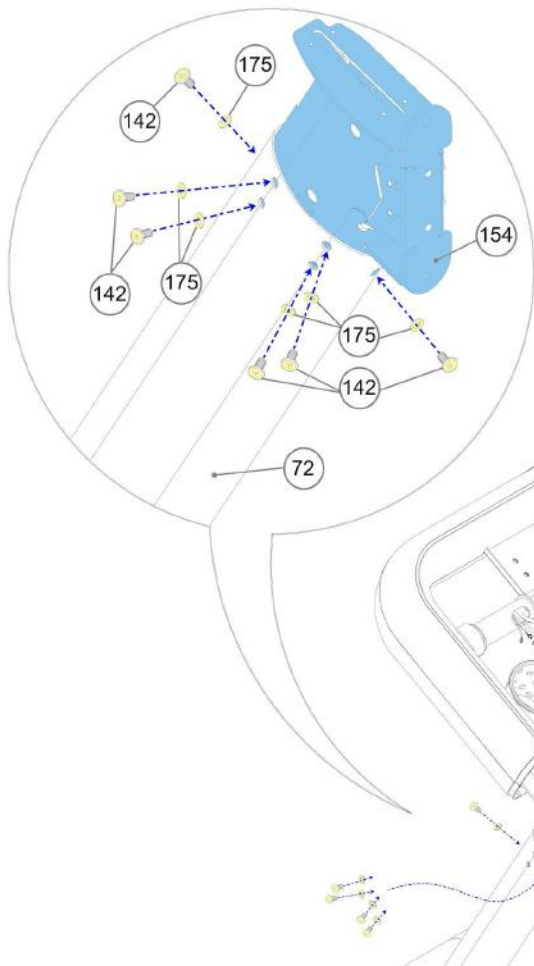




Part #	Assembly Parts	Qty
T120:154-ASM	Dashboard - Assembly	1

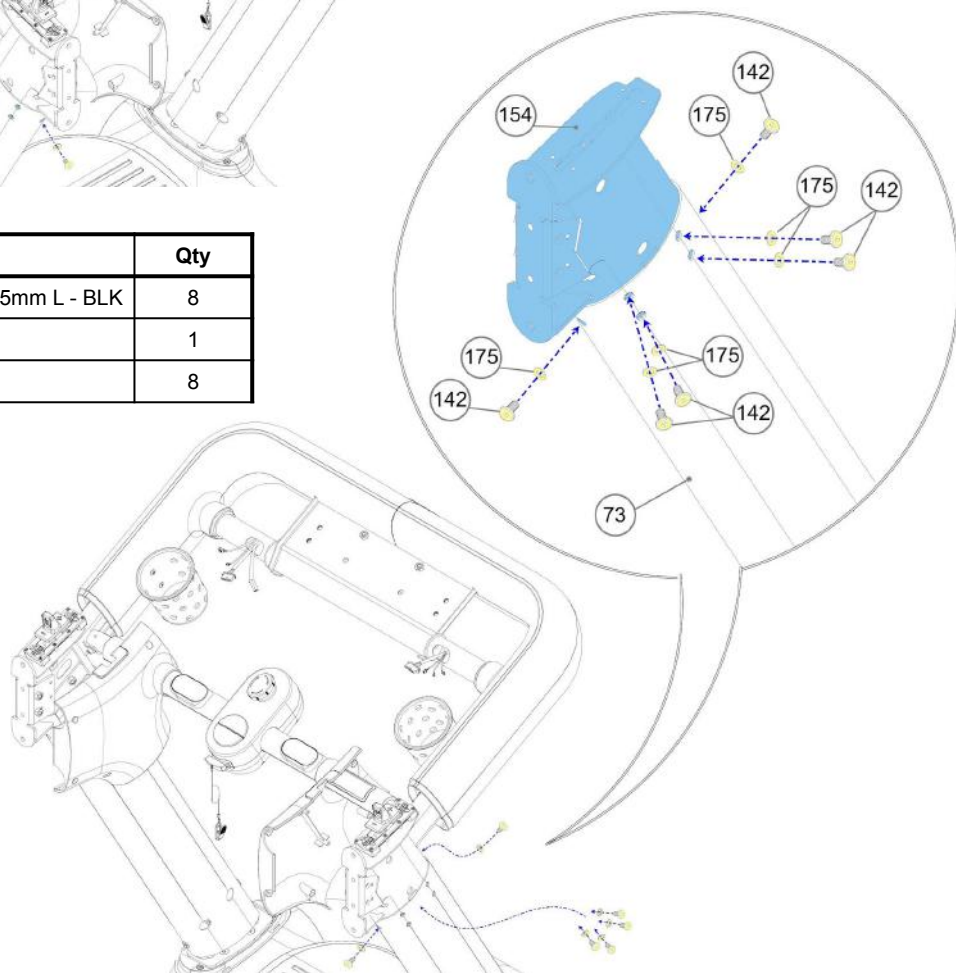
# Product Assembly

## STEP 7 & 8 – Install Dashboard Assembly to the Upright Posts (Rt & Lt)



**Please Hand Tighten All Bolts Until STEP 10b**

Part #	Description	Qty
T120:142	Bolt, Flat Allen Head, M8 x 1.25P x 15mm L - BLK	8
T120:154-ASM	Frame, Dashboard - Assembly	1
T120:175	Washer, Flat, M8 x Ø16 x T1.0 - BLK	8



## DECISION POINT

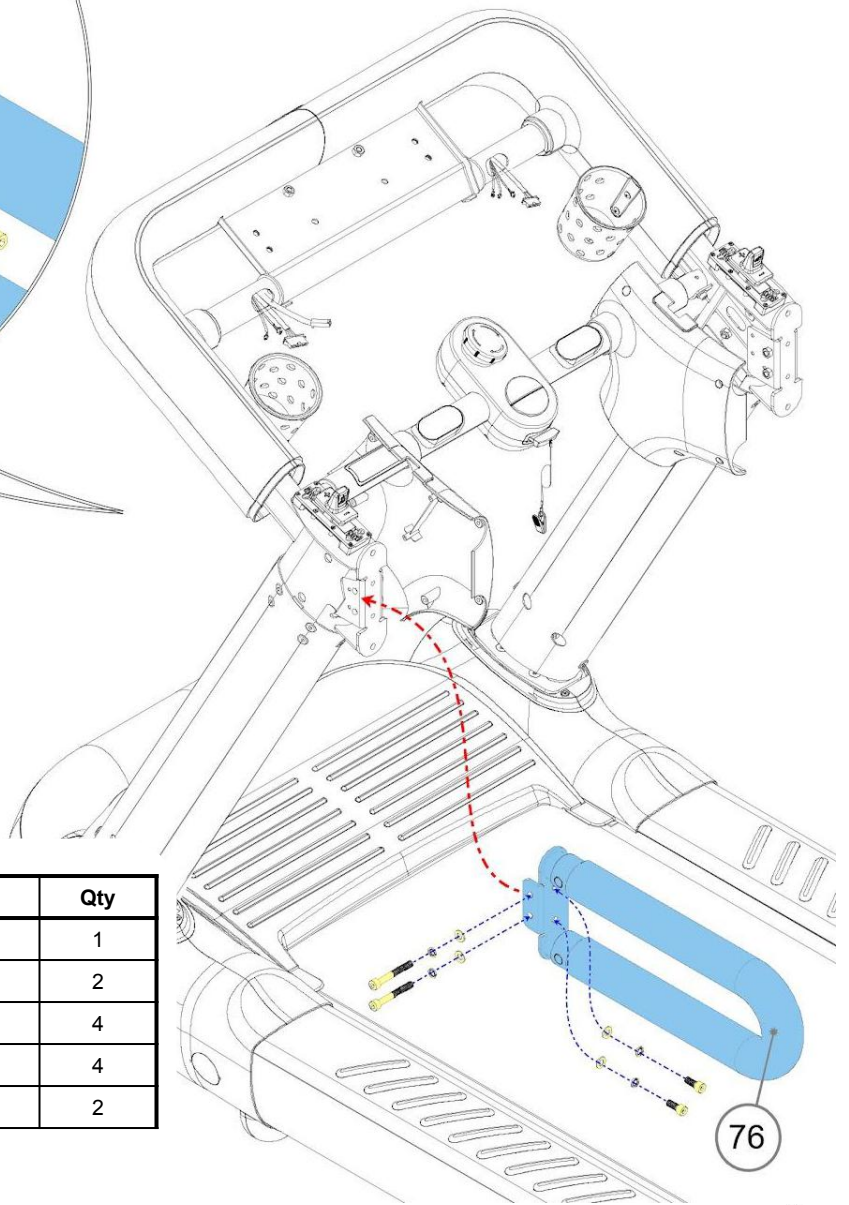
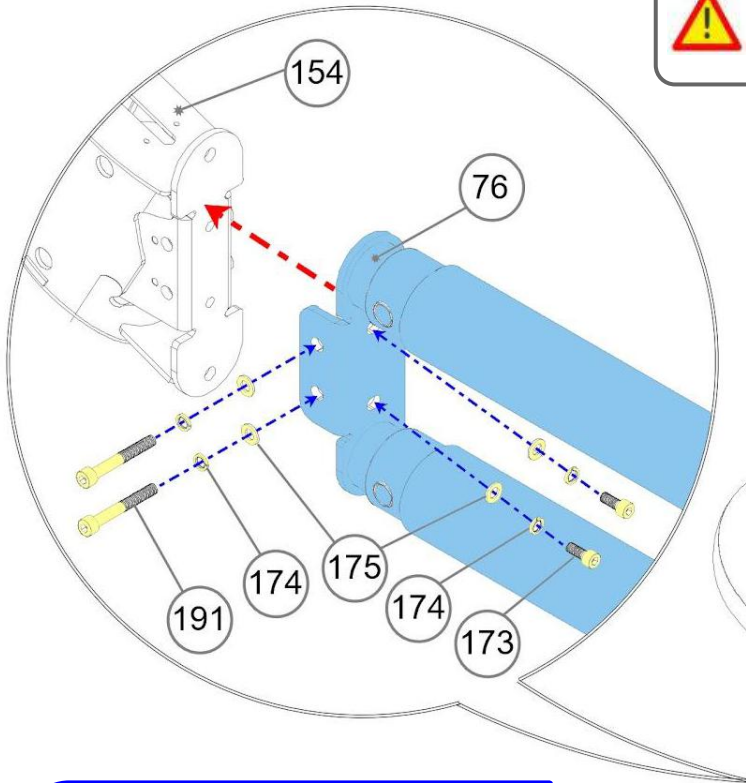
If you are assembling a T1200 with the normal short handrails, **Go to STEP 9 below**

If you are simultaneously assembling a T1200 & Long Handrail Kit (T1200-LH), **Go directly to the [T1200-LH Owner's Manual](#)**

### STEP 9 – Install Left Handrail Side Frames



**Please Hand Tighten All Bolts Until STEP 10b**



**TIP:** Line up the FLAT part of the handrail on the outside of the frame, then install:

- 1st Longer Bolts #191
- 2nd Shorter Bolts #173

Part #	Description	Qty
T120:076	Handrail Side Frame, with Rubber Foam Grip, Left	1
T120:173	Bolt, Allen Head, M8 x 1.25P x 20mm L - BLK	2
T120:174	Washer, Spring, M8 - BLK	4
T120:175	Washer, Flat, M8 x Ø16 x T1.0 - BLK	4
T120:191	Bolt, Allen Head, M8 x 1.25P x 60mm L - BLK	2

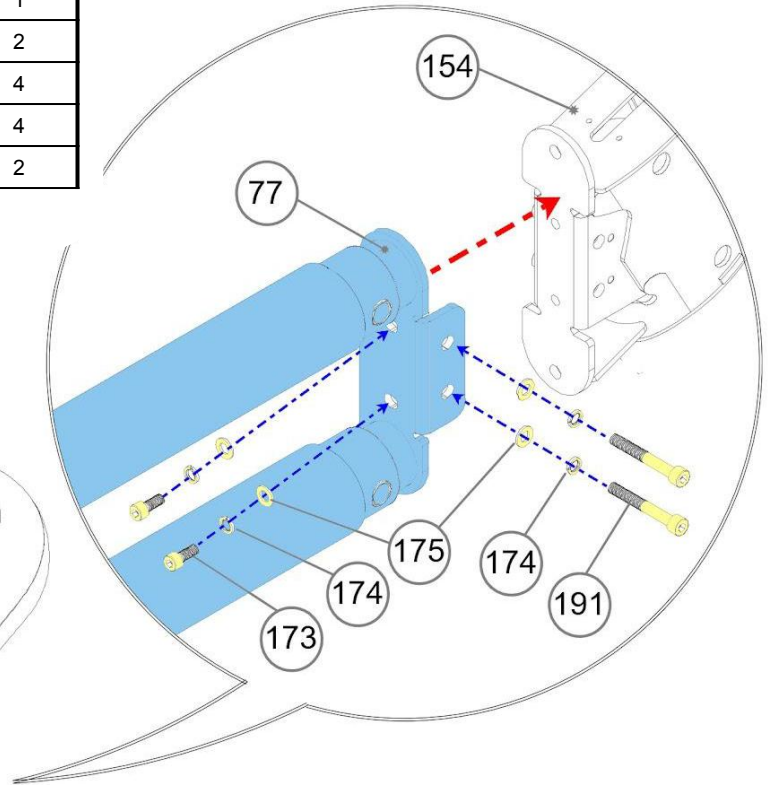
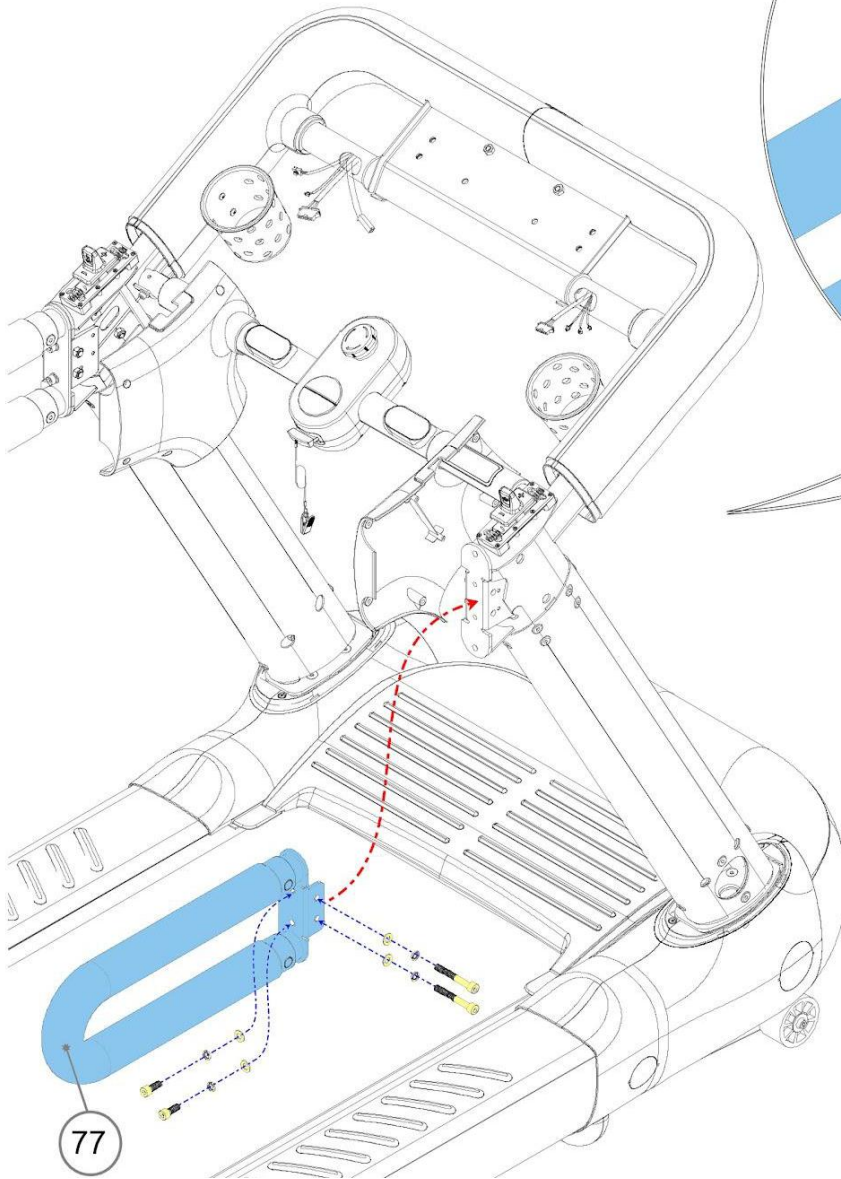
# Product Assembly

## STEP 10 – Install Right Handrail Side Frame



**Please Hand Tighten All Bolts Until STEP 10b**

Part #	Description	Qty
T120:077	Handrail Side Frame, with Rubber Foam Grip, Right	1
T120:173	Bolt, Allen Head, M8 x 1.25P x 20mm L - BLK	2
T120:174	Washer, Spring, M8 - BLK	4
T120:175	Washer, Flat, M8 x Ø16 x T1.0 - BLK	4
T120:191	Bolt, Allen Head, M8 x 1.25P x 60mm L - BLK	2



**Confirm** the **FLAT** part of the handrail is on the outside and all **Spring (locking) Washers & Flat Washers** are installed on the Bolts.

## Product Assembly

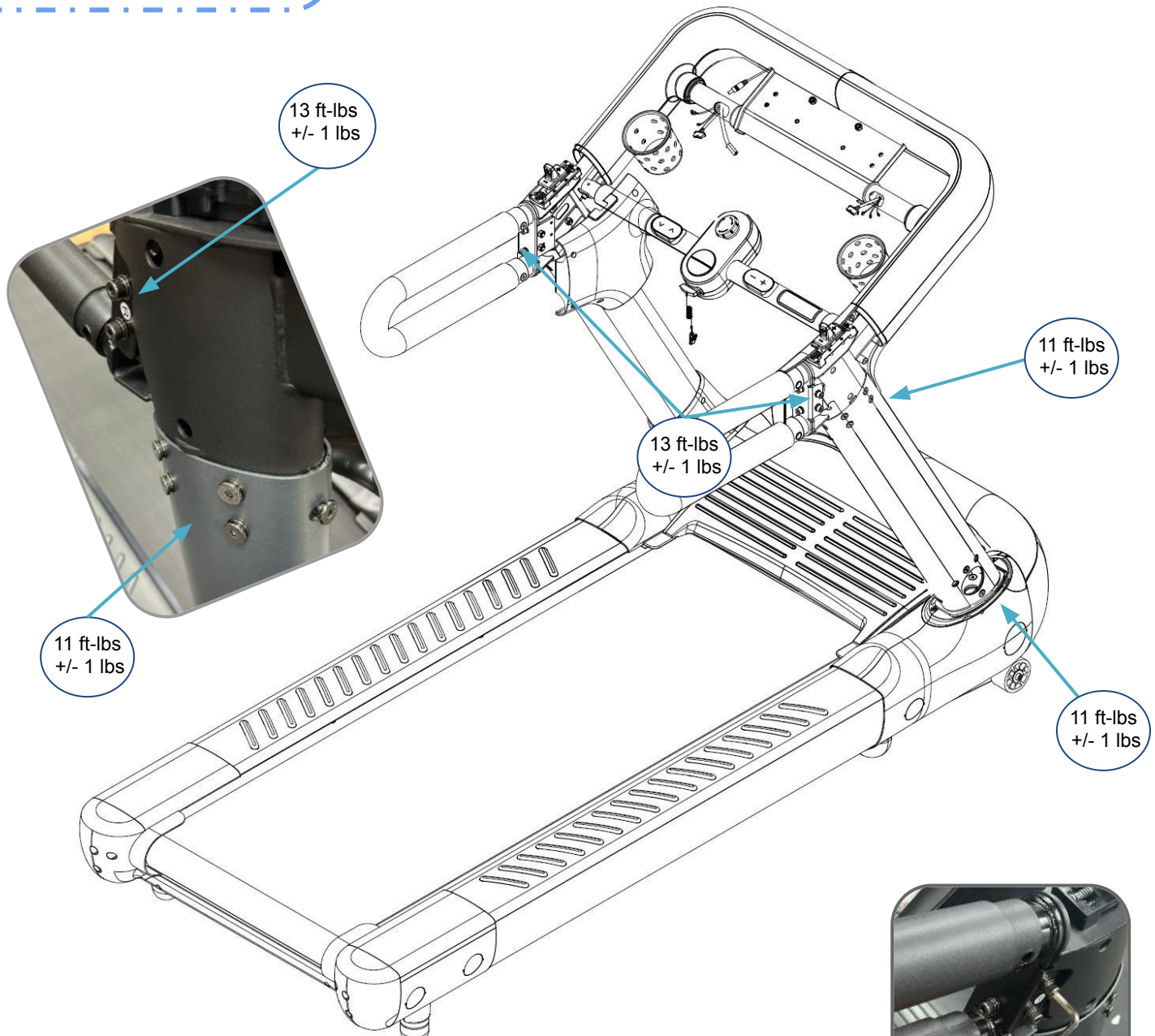
### Recommended Tools:



TORQUE WRENCH 3/8 DRIVE  
w/ 5mm & 6mm ALLENS

**STEP 10b – “Torque Time”** Tighten all Allen Head Bolts to the Recommended Torque Specs. These are from STEP 3 to STEP 10.

**NOTE:** If no Torque Wrench is available use **Fig. 4** as an example for average male hand applying 11 - 13 ft-lbs.

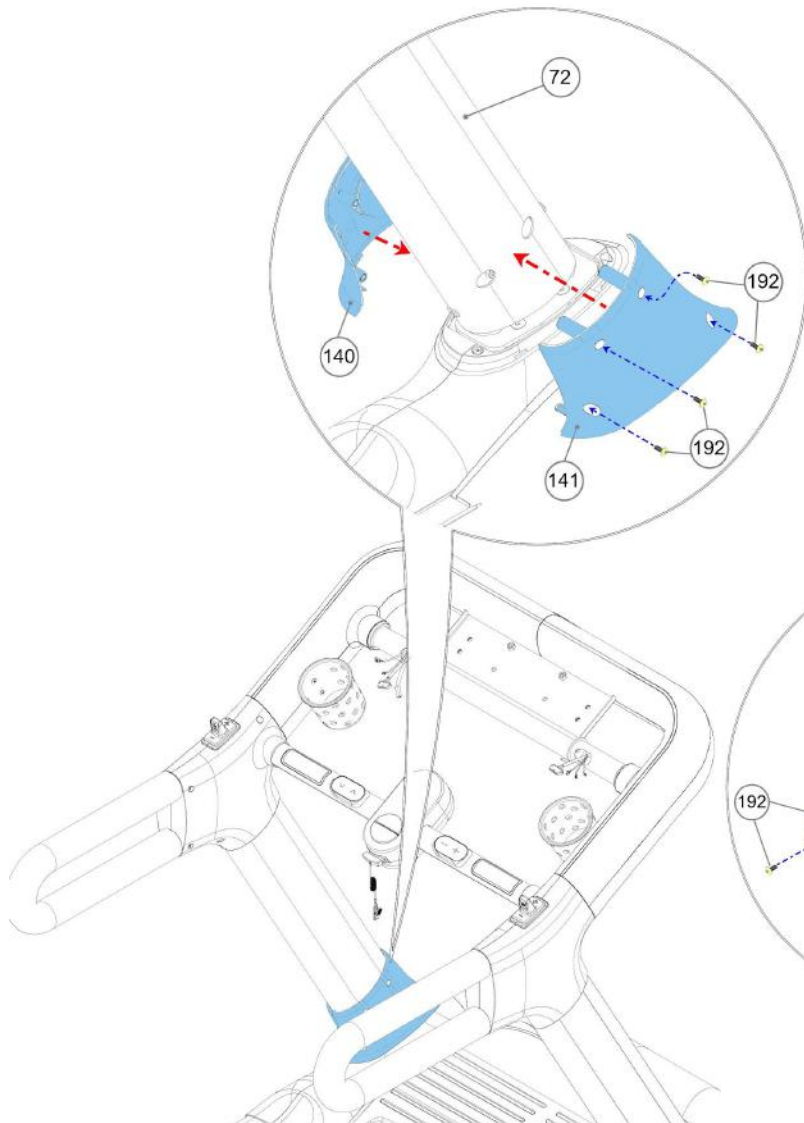


Tighten Bolts at this time  
to the Recommended Torque Specs



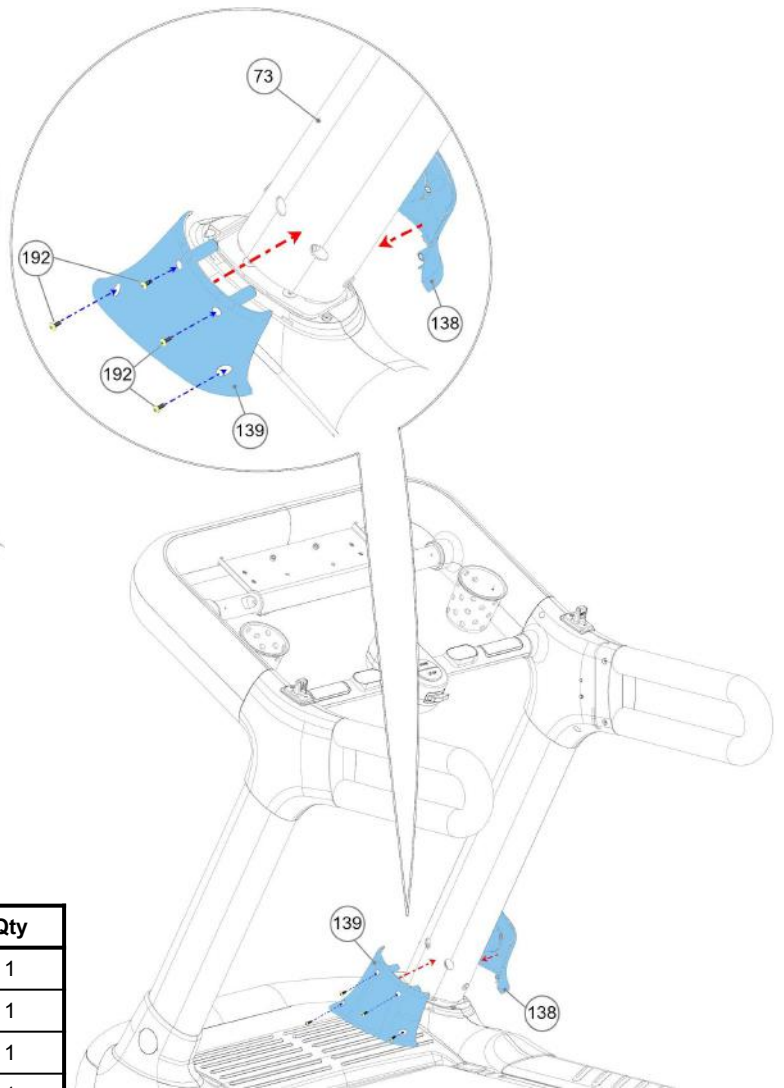
**Fig. 4**

**STEP 11 & 12 – Install Upright Posts Inner & Outer Covers (Rt & Lt)**



**Recommended Tool:**

PHILLIPS SCREWDRIVER #2  
w/ Magnetic TIP

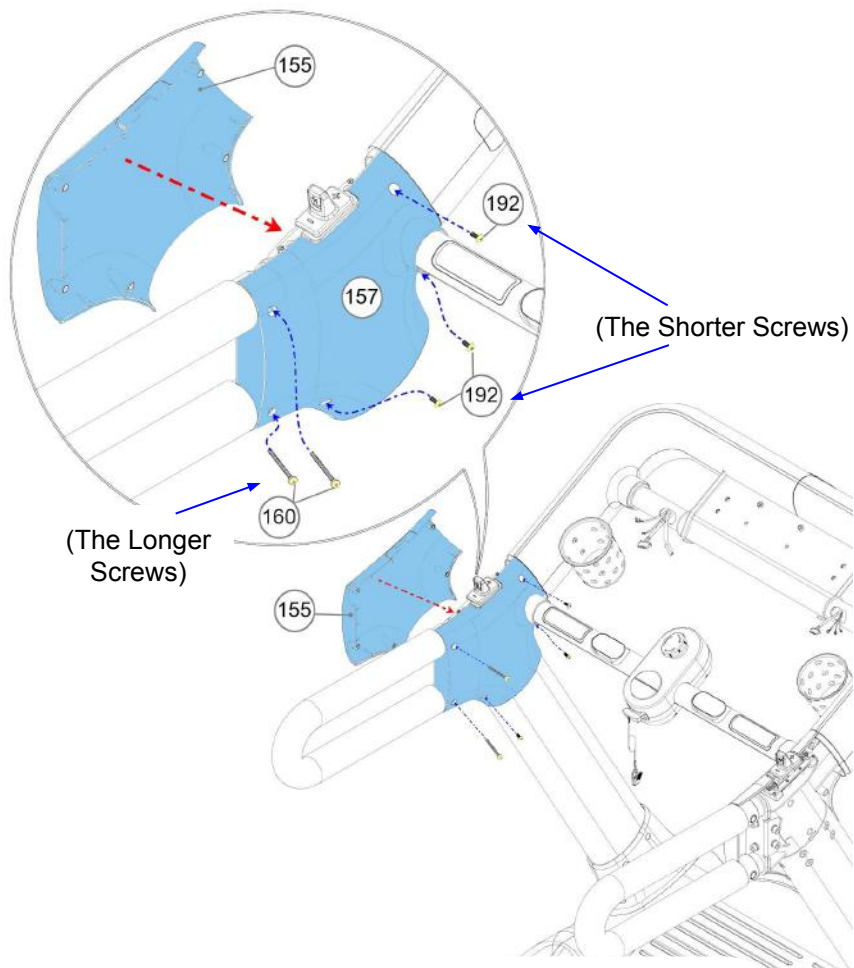


Part #	Description	Qty
T120:138	Upright Cover, Outer Bottom, Right	1
T120:139	Upright Cover, Inner Bottom, Right	1
T120:140	Upright Cover, Outer Bottom, Left	1
T120:141	Upright Cover, Inner Bottom, Left	1
T120:192	Screw, Phillips Head, M4 x 0.7P x 12mm L - BLK	8



# Product Assembly

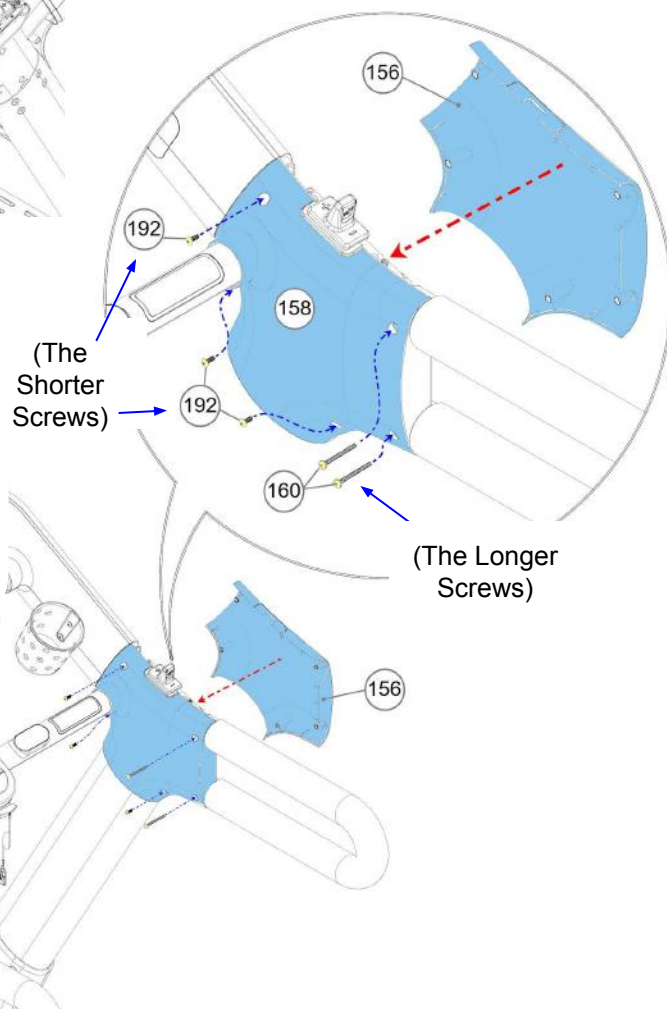
## STEP 13 & 14 – Install Handlebar Inner & Outer Covers (Rt & Lt)



**Recommended Tool:**

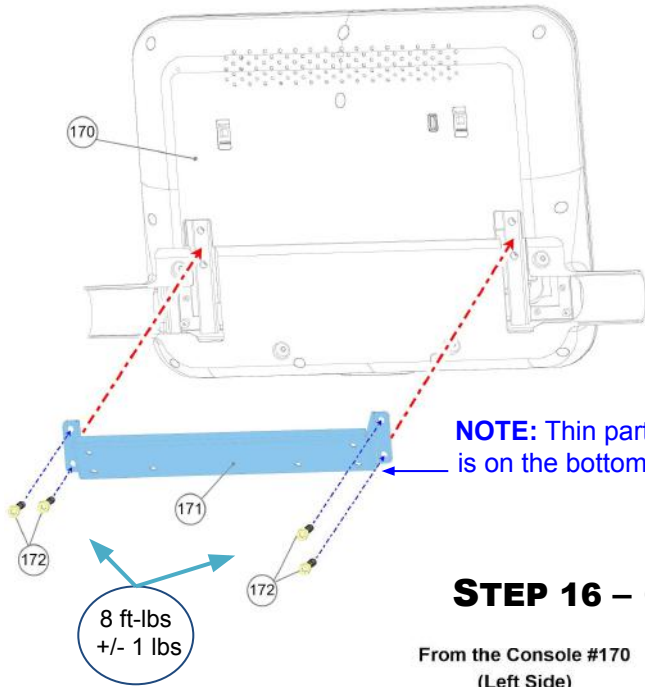
PHILLIPS SCREWDRIVER #2  
w/ Magnetic TIP

Part #	Description	Qty
T120:155	Handlebar Cover, Outer Left	1
T120:156	Handlebar Cover, Outer Right	1
T120:157	Handlebar Cover, Inner Left	1
T120:158	Handlebar Cover, Inner Right	1
T120:160	Screw, M4 x 0.7P x 50mm L - BLK <b>(The Longer Screws)</b>	6
T120:192	Screw, Phillips Head, M4 x 0.7P x 12mm L - BLK <b>(The Shorter Screws)</b>	4



# Product Assembly

## STEP 15 – Install Console Mounting Plate & Tighten to Recommended Torque Specs



Recommended Tool:



**ALLEN WRENCH**

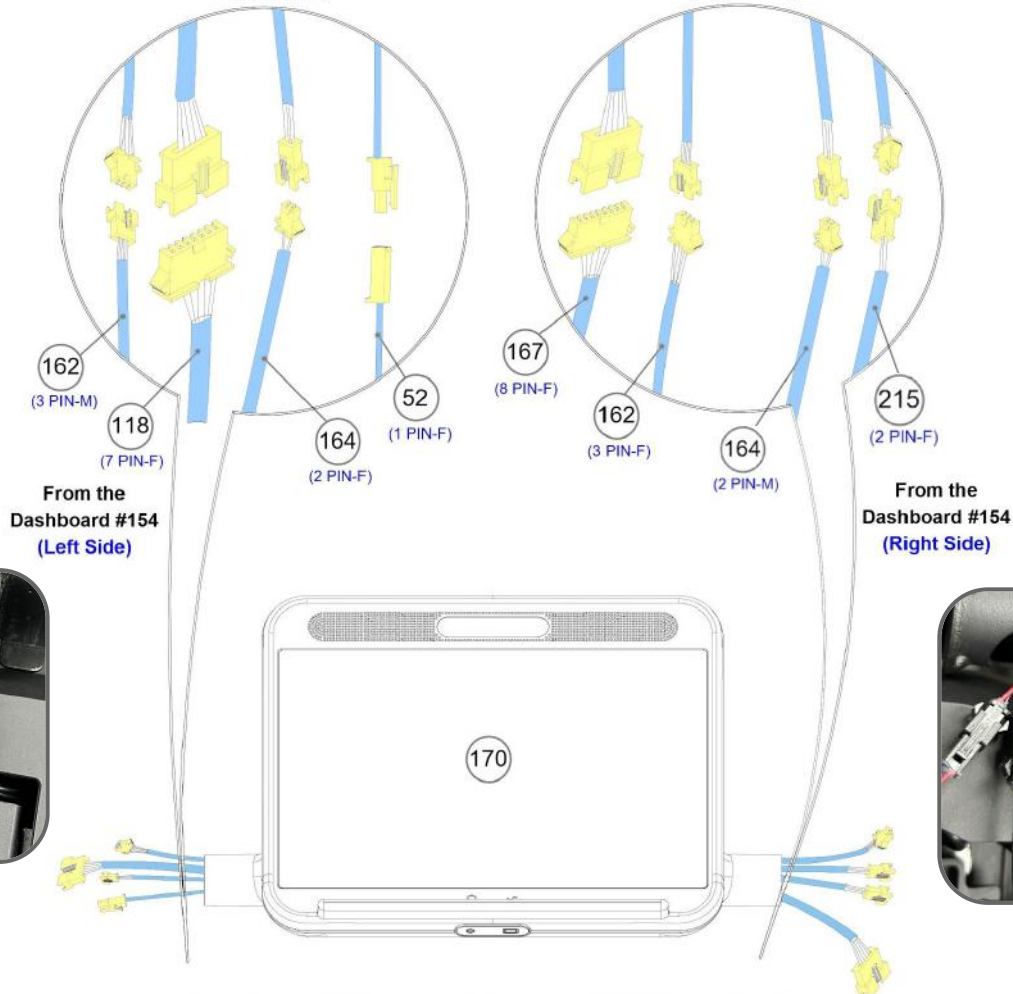
6mm

Part #	Description	Qty
T120:171	Mounting Plate, Console	1
T120:172	Bolt, Allen Head, M8 x 1.25P x 35mm L - BLK	4

## STEP 16 – Connect Console Wiring

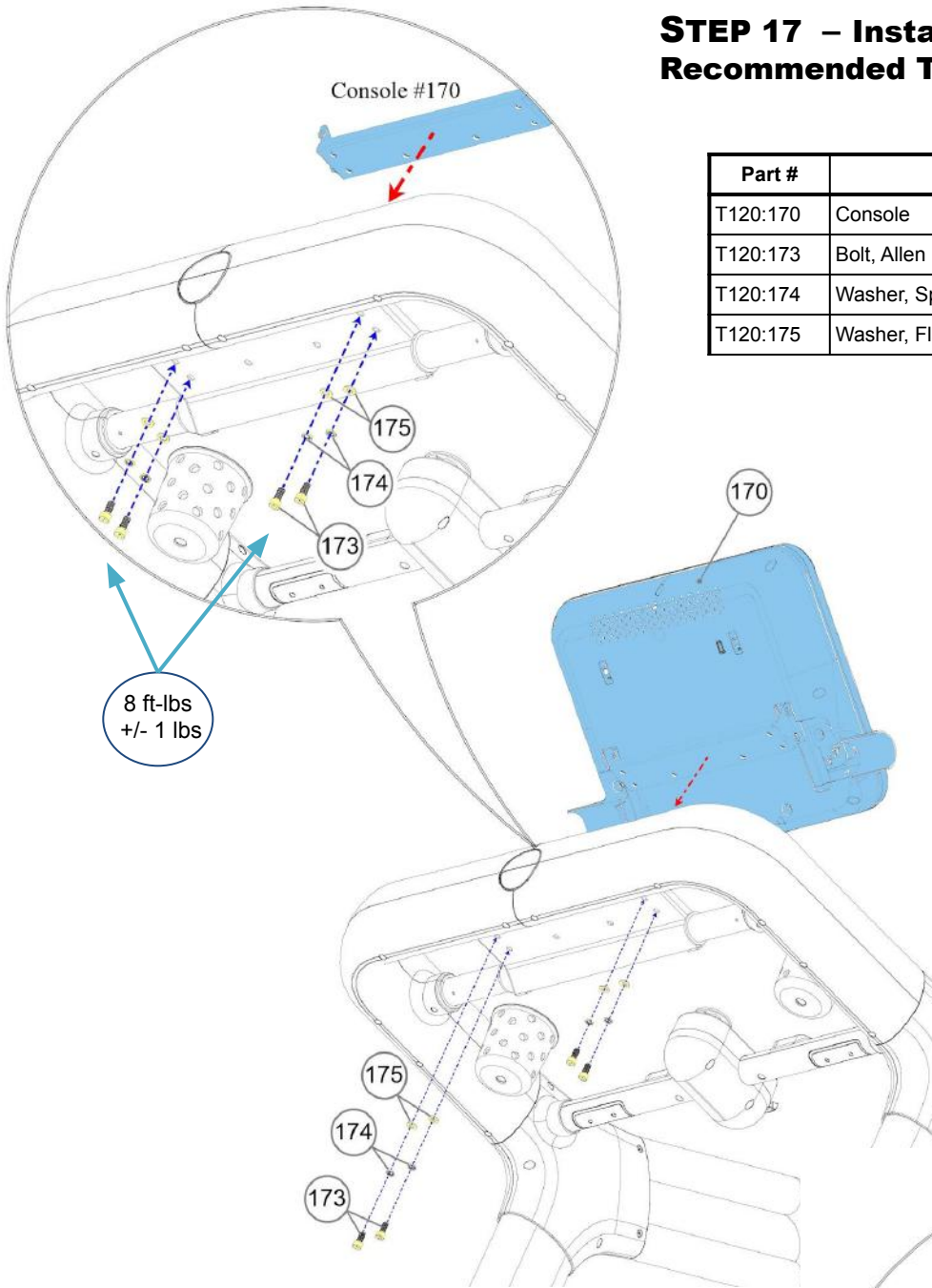
From the Console #170  
(Left Side)

From the Console #170  
(Right Side)



Be Careful To Not Pinch Wires

**STEP 17 – Install Console & Tighten to Recommended Torque Specs**

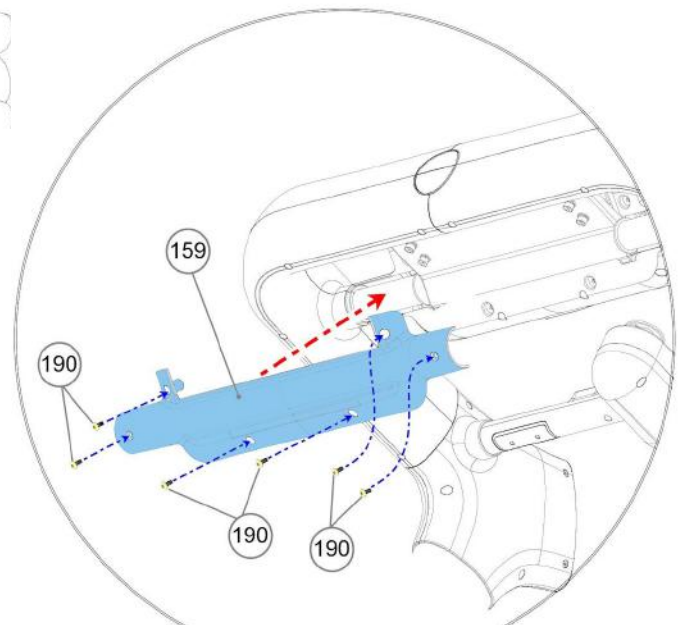
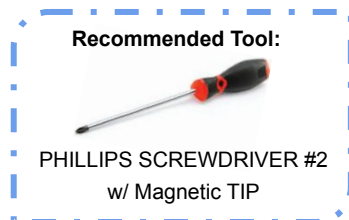


Part #	Description	Qty
T120:170	Console	1
T120:173	Bolt, Allen Head, M8 x 1.25P x 20mm L - BLK	4
T120:174	Washer, Spring, M8 - BLK	4
T120:175	Washer, Flat, M8 x Ø16 x T1.0 - BLK	4



**STEP 18 – Install Console Rear Cover**

Part #	Description	Qty
T120:159	Console Rear Cover	1
T120:190	Screw, Phillips Head, M5 x 0.8P x 12mm L - BLK	6



## Product Setup - Leveling the Treadmill .... Critical to finish all the Setup procedures ....

Sometimes floor surfaces are not level or even. Once your treadmill is in the desired location, take the time to ensure that it is stable. All four contact points should make contact with the floor (2 wheels at the front and 2 adjustable rear stabilizers). If necessary, adjust the height of the rear stabilizers by turning it clockwise or counterclockwise to either lower or raise the machine. Test by walking or running the machine to ensure that the treadmill is not rocking on your floor. It must be level and stable to operate properly and eliminate any undue wear and tear on the treadmill or your floor.



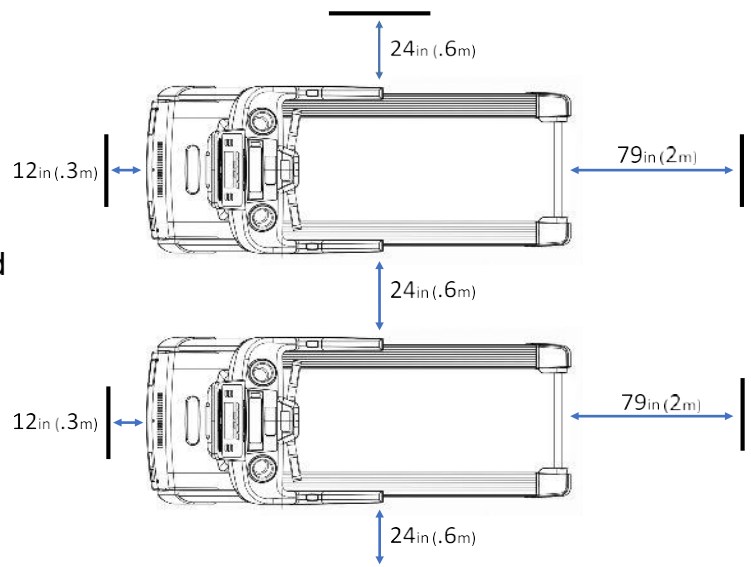
In some cases you may need to purchase an optional mat that will also help level all 4 contact points. Mats will also help reduce noise and can help to protect most types of flooring. If you wish to purchase a mat, contact the dealer you purchased the treadmill from or [contact BODYCRAFT](#).

## Product Setup - Spacing Requirements

BODYCRAFT recommendation is to leave a minimum of a 79 inches (2m) safety zone at the rear of the treadmill, 24 inches (0.6m) on each side of the treadmill and 12 inches (0.3m) in front of treadmill.

**U.S. and other regions:** The ASTM International (ASTM) F2115 - 12 Standard recommends the minimum dimensions to be 1.64 ft. (0.5 m) on each side of the treadmill and 6.5 ft. (2 m) behind the rearward most portion of the usable moving surface or 6.5 ft. (2 m) behind the furthest rearward obstruction to emergency egress from the treadmill.

**EU:** The European EN ISO 20957 Safety Standard requires a 6.5 ft. (2 m) minimum from the rear of the treadmill to any object or surface and at least as wide as the treadmill.



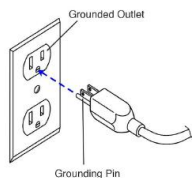
For ADA Compliance under #1004 Exercise Machines and Equipment:

Minimum of 36" for entry, use & exit of machine required. Add 12" in the Training Area where needed.

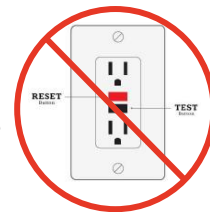
## Product Setup - Running Belt Tension & Alignment (T1200)

**⚠ Follow these steps after the assembly STEPS to ensure proper function of your treadmill!**

- **If you are not comfortable performing these STEPS, please contact your local BODYCRAFT dealer or our customer support department to arrange a qualified technician to come to your home or commercial location.**



**STEP 1:** It is recommended that your treadmill be plugged into a **Dedicated** 120V/15A for home use (120V/20A for commercial applications). The treadmill must be connected to a grounded receptacle having the same configuration as the plug. Do not modify the plug provided with this product. **NOTE: DO NOT USE** an GFCI wall outlet. See Power Requirements for more information.



**STEP 2:** Next, adjust for **Running Belt Tension**. Stomp Test method: While straddling the Running Belt, with your feet on the Side Rails, start the treadmill to 2.5 mph / 4 kmh, then while holding on to the handrails, use your stronger foot only, stomp your foot down & forward to see if the Running Belt slips. If the belt does not slip, continue to STEP 3. If the belt slips, the adjustment screws must be tightened evenly both right & left sides in order to adjust the belt properly. The adjustment screws are located at the rear of the treadmill in the end caps (see figure below).

- Both rear roller adjustment screws should be tightened in a clockwise direction with a 6mm Hex Wrench.
- After each adjustment check the running belt for slipping after each adjustment. If the belt continues to slip, repeat this process until the belt stops slipping. Make sure to **ONLY** turn both adjustment screws 1/2 turn each time until the slipping stops. This will ensure that you do not over-tighten the rollers.

*Over-tightening the rollers may cause serious damage to the treadmill*

- Once you have adjusted the tension, you need to do an Running Belt Alignment procedure in STEP 3.



**STEP 3:** Next, adjust for **Running Belt Alignment**. The Running Belt needs to be centered between the Side Rails with the same amount of space from both Left & Right edges of the Running Belt to each Side Rail.

- Start the treadmill and run it at 5 mph / 8 km h for 1 to 2 minutes to insure the belt will stay in the center.
- If the Running Belt is not centered, loosen the adjustment screw on the opposite side (where it has more space), turning it counterclockwise 1/4 turn. Wait 1 min to confirm the Running Belt is now centered.
- Repeat the procedure if necessary **ONLY** doing a 1/4 turn per adjustment.



**STEP 4:** Double confirm the Running Belt tension is still correct by simulating a **Max Weight User**. Simply start walking on the treadmill at 3 mph. Then hold on the front handrails (with **BOTH HANDS**) and apply as much downward and forward pressure with your feet while walking. Your feet should be moved back with the motion of the Running Belt without any slipping. If there is any slipping, then go back to STEP 2.

# Installation Checklist

# BODYCRAFT

**Assembly and Set-Up** **Confirmed**

- Confirm all parts are assembled
- Confirm there are no pinched console/upright wires
- Confirm all hardware is tightened down
- Check Base Assembly is level (no movement)
- Check if Running Belt is tensioned (no slipping)
- Check if Running Belt is centered
- Confirm space requirements are met:
  - 2 ft. front and sides of treadmill
  - 6 1/2 ft. rear of treadmill (emergency exit)
- Confirm power requirements are met:
  - 120v/15amp dedicated per TM (home unit)
  - 120v/20amp dedicated per TM (com. unit)
  - Any extension cords max 6' long w/ 12 gauge wire
  - Electrical outlet is non-GFCI w/ confirmed ground
- Confirm Power Cord location is protected from damage

**Calibration:** **Confirmed**

- Calibration was completed & confirmed good

**Console:**

- Console has newest software updates
- Touch Screen 10", 16" or 19" has updated Apps

**Final Checks:** **Confirmed**

- Treadmill has been tested & fully functioning
- Gave Owner's Manual to the customer
- Answered any & all customer's questions

**Service Policy:** **Confirmed**

- How to contact Customer Support
- Warranty length & coverage
- What warranty does not cover
- How to find the serial number
- How to find an error code (if applicable)

**Important Safety Information:**

*NOTE: Never leave unattended children around a treadmill when plugged into the Wall Outlet & the Safety Key Inserted.*

**Recommended Maintenance (refer to owner's manual)\*** **Confirmed**

- Cleaning products for use on Base & Upright Assembly
- Cleaning products for use on Dashboard Assembly
- Cleaning products for use on Console
- Running Belt and Deck is cleaned & lubricated as needed
- Under Treadmill & Side Rails are cleaned as needed
- Under Motor Hood is cleaned as needed:
  - All dirt is vacumed and surfaces cleaned
  - Motor vents and electronics are cleaned
  - DC Motor brushes and commutator are cleaned (T400/T800)

\* Maintenance must be performed when needed, to maintain warranty

<b>BODYCRAFT</b>	
7699 Green Meadows Dr North	
Lewis Center, OH 43035	
Product Support - Treadmills: 1-800-990-5556 x 406	
Email questions or parts ordering: <a href="mailto:service@bodycraft.com">service@bodycraft.com</a>	
<b>Customer's Name:</b>	
(Point of Contact for Commercial Facility):	
Address:	
Address Line 2:	
City:	
State:	Zip: Phone:
Email:	
Type of Facility:	
Location of Equipment:	
<b>Dealer Name:</b>	
Point of Contact:	
Address:	
Address Line 2:	
City:	
State:	Zip: Phone:
Email:	
<b>Model &amp; Serial Numbers Installed:</b>	
Model #	Serial #
Model #	Serial #
Model #	Serial #

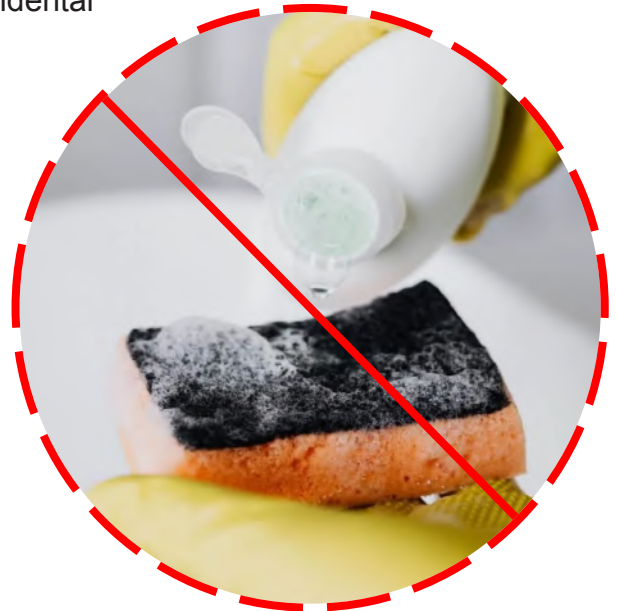
<b>Installer's Name:</b>	<b>Notes:</b>
<b>Installer's Signature:</b> _____	
<b>Date:</b> _____	
<b>Customer's Signature:</b> _____	
<b>Date:</b> _____	

## Cleaning your Treadmill

**CAUTION: Do not use any acidic cleaners. Doing so will discolor the plastics, painted surfaces and powder coatings. Never pour water or spray liquids on any part of the item.**

1. Turn off and unplug the treadmill power cord from the wall before using any cleaning product.
2. ONLY APPLY CLEANER ON A CLOTH then use cloth to clean the unit.
3. DO NOT spray cleaner directly on any surface of the treadmill
4. We recommend that you clean the treadmill **after** each exercise session. To remove sweat, dust and dirt, wipe all exposed surfaces with slightly damp soft cloth only, never use solvents.
5. Clean with mild soap and water based cleaners only.
6. Always keep console and electrical parts clean and dry.
7. Wipe or vacuum dust or other objects that may have accumulated underneath the treadmill.
8. Never apply cleaning solution under running belt.
9. Confirm running belt & siderails are dry from any accidental fluids spilling or overspray.

- DO NOT USE ABRASIVE CLEANING SCRUBBING PADS.
- DO NOT USE AMMONIA CLEANERS.
- DO NOT USE CITRUS CLEANERS



The following is **RECOMMENDED** for cleaning supplies:



**MILD CLEANING SOLUTION**



**100% COTTON CLEANING CLOTHS**

**TIP ON FRAME ONLY:** For extra protection from fingerprints, sweat stains or just plain dirt, apply an automotive grade cleaner wax at Installation and bi-annually. Also makes future cleaning easier.



**(Do Not Use on Running Belt, Side Rails, Handlebar, HR Grips, any Plastic or Console Glass)**

## Preventive Maintenance - T1200 (T120)

***Preventive Maintenance is the responsibility of the owner and not covered under warranty.  
(Example of changing oil and rotating tires on new car.)***

To maximize the life of your treadmill, and minimize downtime, all BODYCRAFT equipment requires regular cleaning and maintenance performed on a scheduled basis. Always unplug the power cord from the wall before servicing near potential moving parts or under the hood. ONLY qualified service professionals or BODYCRAFT dealers should remove the motor hood.

### Daily Maintenance Items

- Check the Emergency Stop Key and tether cord for proper operation. Replace or repair if damaged.
- Check that the Power Cord is free from under the treadmill and shows no signs of damage. Inspect the Wall Plug End, especially the grounding pin. Replace if showing any signs of damage.

### Weekly Maintenance Items

- Clean entire machine using water and mild detergent (cleaning agents should be alcohol and ammonia free), including console, handlebar / grip area and running belt.

### Monthly Maintenance Items

- Vacuum under treadmill and wipe off all dirt around rollers & belt/deck areas.
- Inspect hand grip areas, Emergency Stop tether cord and all keypads for operation.
- Check running belt for proper tension, adjust if needed. It is especially important to check the running belt for tension after the first 30 days of usage. All new belts stretch and slippage can occur.
- Check the console for the software update/app update. Then Power Cycling (turning the power off at the treadmill switch, waiting 1 min then turning back on) is critical to the health of the console allowing to reset and refresh.



### Quarterly / Semi-Annual Maintenance Items

- Unplug the power cord from the wall, then remove the front plastic cover, vacuum entire inside area of the machine focusing on the motor vents, motor control fan & electronics. *NOTE: Be careful around any wires & all connections.*
- Check drive belt for visible wear, i.e., cracking, tears, etc. The belt should be replaced if there are any visible signs of damage. Proper alignment of the pulley needs to be confirmed.
- Unplug the power cord from the wall, clean between belt and deck with a large towel.
- Due to running belts wearing differently in various environments, perform an amp draw test while running at 5 mph. If average is higher than 9 amps, lube deck with [BODYCRAFT Silicone Lubricant](#) 8-10 mL per side, then retest.

### Annual Maintenance Items

- Unplug the power cord from the wall, inspect the underside of the running belt for damage - checking /cracking, glazed surface.
- If the running belt has damage or excessive wear verified by BODYCRAFT Service Department, then replace at the same time the running deck (if both sides have been used) with a Genuine BODYCRAFT replacement part.
- During normal operating conditions, after inspection & cleaning has been done on a routine basis (based on usage), the running belt and deck replacement should be done ONLY after higher Amp reading have been verified from a dedicated wall outlet and BodyCraft approved service provider.
- Lubricate incline motor screw (Recommend using a Super Lube branded grease with PTFE {Teflon} additive). Start the unit and raise Incline settings to maximum height. Turn power switch off at front of the machine to prevent it from lowering accidentally.





## ***Required Information BEFORE Initiating a Service Case***

***The following information is needed to help expedite troubleshooting and to ensure the correct part(s) are sent if needed for a repair:***

- 1) What product / model # do you have?
- 2) Unit serial number?
- 3) Installed by a dealer or direct sale?
- 4) Date of installation?
- 5) Date of service issue?
- 6) Complaint or problem, including any Error Codes?
- 7) Has the software been updated?
- 8) What part(s) are being requested?
- 9) Any picture or video will help with troubleshooting or exact part(s) needed.

This troubleshooting guide is intended to assist diagnostics only and is not all inclusive. Technical specifications, error codes and programming are subject to change without notice.

BODYCRAFT accepts no liability for any damage or loss suffered by persons who rely wholly or in part on any description or statement contained within this manual.

For any questions or additional help, contact the BODYCRAFT Customer Support at 800-990-5556 9 am - 5 pm EST or Email: [service@bodycraft.com](mailto:service@bodycraft.com) for assistance with troubleshooting and diagnostics.

Malfunction	Possible Cause	Corrective Action
No Power	Unit turned off.	Verify the On/Off switch is at the ON position.
	Damaged power cord.	Replace power cord.
	Power cord not fully seated in socket or wall outlet.	Inspect power connection at the unit and outlet.
	No power at outlet.	Using a voltmeter verify power 120v at the wall outlet.
	Tripped circuit breaker or GFCI.	The location of the circuit breaker is next to the On/Off switch. Verify the circuit breaker is not open. If the breaker is open, reset.  - Confirm breaker is a non-GFCI circuit. A treadmill motor's frequency <b>Does Not Work</b> properly on GFCI protected circuits. Newer AFCI/GFCI wall circuits have the additional needed frequency protection to work with home treadmills.
Unit resets or pauses randomly	Damaged power cord.	Replace the power cord.
	Power cord not fully seated in socket.	Inspect power connection at the unit and wall outlet.
	Safety e-stop key not fully engaged.	Re-engage the safety/e-stop key to the console.
	Insufficient power.	Verify output voltage from <b>Dedicated</b> 120v/15amp (20amp commercial use) wall outlet with a voltmeter.
	Error code is displayed on the console.	Contact BODYCRAFT Customer Support 800-990-5556 9 am - 5 pm EST or Email: <a href="mailto:service@bodycraft.com">service@bodycraft.com</a>
	Pinched or loose main communication cable.	
Walking belt is off center	Uneven floor.	- Adjust treadmill with rear leveling feet. Go to: Running Belt Alignment page for detailed instructions.
	Adjust belt tracking.	Go to: Centering the Running Belt page for detailed instructions.
Walking belt hesitates or slips when stepping	Adjust belt tension.	Go to: Tensioning the Running Belt page for detailed instructions.
	Lubricate running belt.	Go to: Treadmill Lubrication page for detailed instructions.
Rubbing sound from treadmill when in operation	Walking belt is rubbing a straddle cover.	Adjust belt tracking go to page 17: Belt Tension and Alignment Adjustment.
	Foreign objects may be stuck under the walking belt.	Inspect under the unit. Remove any object that may be under the unit.
	Foreign object may be stuck in motor compartment.	Contact BODYCRAFT Customer Support 800-990-5556 9 am - 5 pm EST or Email: <a href="mailto:service@bodycraft.com">service@bodycraft.com</a>
	Roller bearings may be damaged	
	Drive motor may be damaged.	
	Drive belt may be misaligned.	

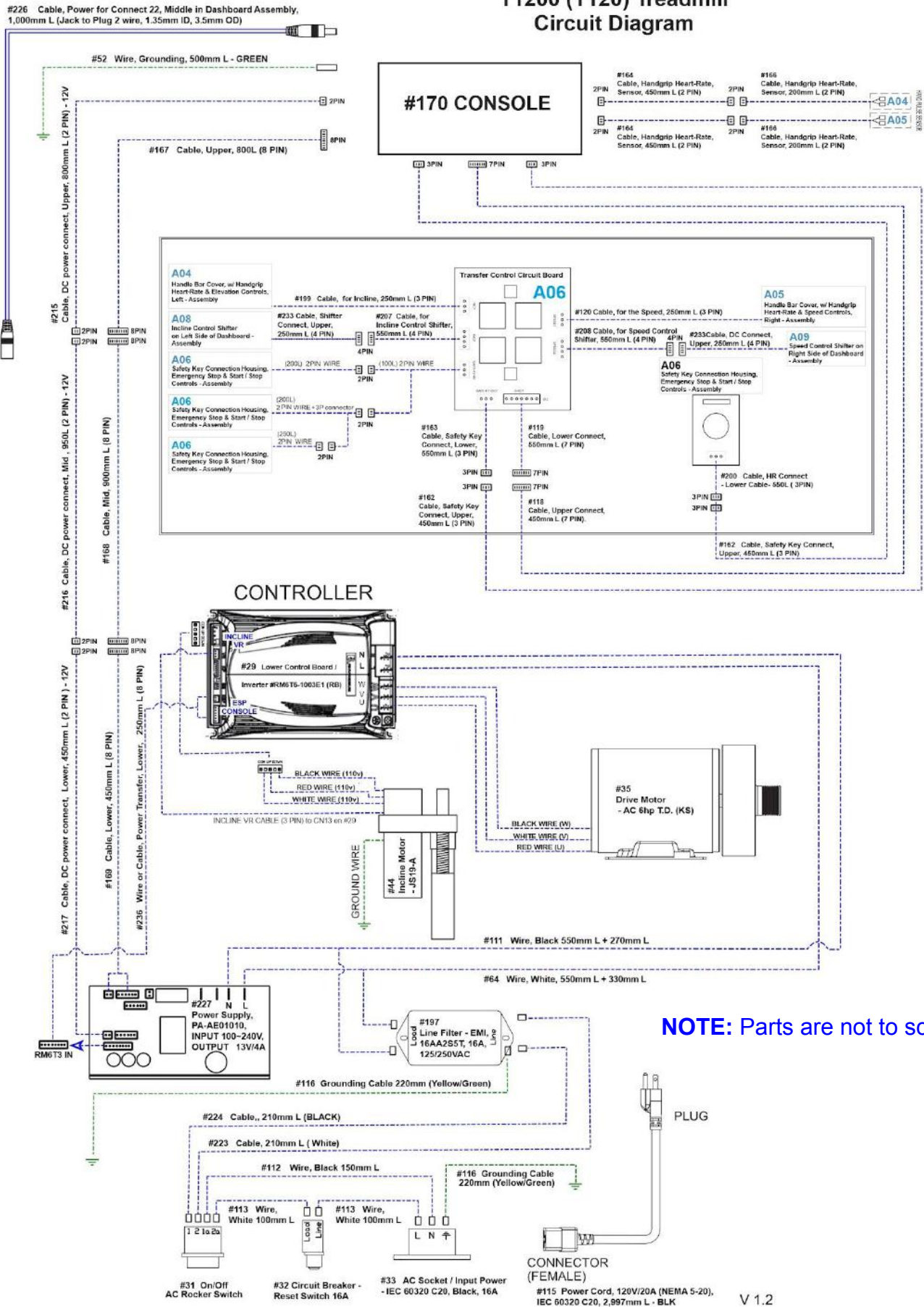
Malfunction	Possible Cause	Corrective Action
Heart rate is displaying erratically or not displaying	Transmitter belt contacts are not Making good contact with the skin.	Re-adjust the transmitter belt so that it is in full contact with the skin.
	Contacts on the transmitter belt are not moist.	Moisten the contacts on the transmitter belt.
	Transmitter belt is not within 3feet (1 meter) of the heart rate receiver.	Adjust your position on the belt so that you are within 3 foot (1 meter) of the console
	The battery inside the transmitter belt is low or bad.	Replace the transmitter belt with a compatible transmitter belt
	Another user wearing a compatible transmitter strap is within 3 foot (1 meter) of the unit.	Move the units so that there is more space in-between units
	Environmental interference from high voltage power lines.	Move the unit to another position within the room or move the cause of the interference until heartrate reading are stable. If the probable source of interference is plugged into the same outlet move the suspect source to another outlet.
	Environmental interference from computers.	
	Environmental interference from motor driven appliances.	
Environmental interference from cell or cordless phones.		
Environmental interference from Wi-Fi router.		

Error Codes for AC Motor Treadmill	Definition	Possible Cause	Corrective Action
E-1 E-35	Low AC Voltage	- Unstable Voltage input. - Too many machines on one circuit	- Turn off all machines in the same room. - Run one treadmill for 5-10 mins while heavy running. - Confirm no extension cords & <b>Dedicated</b> 120v/15amp (20amp commercial use) circuit per treadmill.
E-9 E-11 E-12	Current Overload / Overheating / Protection	Belt and deck may require lubricant. Belt and deck may be worn excessively.	Go to: Treadmill Lubrication for detailed instructions. Contact BODYCRAFT Customer Support for parts.
E-22	No communication between Breakout Board and Inverter	- Cable connection on fully connected or damaged cable. - The Breakout Board has malfunctioned.	- Double check all connections for bent pins or not fully clipped. - Check for damaged cable during installation and replace if necessary. - Replace Breakout Board if other actions are taken.
E-82 / E-83	Incline Error	Bad connection with wire harness or connection.	Check wire harness for damage or completely connected at each connection point
E-88	Console EEPROM failure	Console display has malfunctioned.	- Turn off & wait 5 mins. Turn back on - If still E-88 then replace the console.

**NOTE:** For a full list of ERROR CODES, please contact BODYCRAFT Customer Support [service@bodycraft.com](mailto:service@bodycraft.com)

# Circuit Diagram - T1200 (T120)

## T1200 (T120) Treadmill Circuit Diagram



NOTE: Parts are not to scale

Part #	Description	Qty
<b>Detailed Assembly Parts</b>		
T120:A01-ASM	Frame, Incline w/ Hardware & Transportation / Incline Wheels #66 - Assembly	1
T120:A02-ASM	Side Foot Rail, w/ Rubber Inserts, Left - Assembly	1
T120:A03-ASM	Side Foot Rail, w/ Rubber Inserts, Right - Assembly	1
T120:A04-ASM	Handle Bar Cover, w/ Handgrip Heart-Rate & Elevation Controls, Left - Assembly	1
T120:A05-ASM	Handle Bar Cover, w/ Handgrip Heart-Rate & Speed Controls, Right - Assembly	1
T120:A06-ASM	Safety Key Connection Housing, Emergency Stop & Start/Stop Controls - Assembly	1
T120:A07-ASM	Safety Key Clip & Cotton String - Assembly	1
T120:A08-ASM	Incline Control Shifter on Left Side of Dashboard - Assembly	1
T120:A09-ASM	Speed Control Shifter on Right Side of Dashboard - Assembly	1
T120:154-ASM	Dashboard - Assembly	1

Part #	Description	Qty
<b>Detailed Single Parts</b>		
T120:001	Frame, Main Base (DIAMOND GRAY )	1
T120:002	Elastomer Shock Absorbers, BLUE, 1st Row - Front	2
T120:003	Elastomer Shock Absorbers, RED, 2nd & 3rd Rows - Mid	4
T120:004	Elastomer Shock Absorbers, BLACK, 4th Row - Rear	2
T120:005	Running Deck - 680mm W x 1,405mm L x 25.4mm T	1
T120:006	Bolt, M8 x 1.25P x 35mm L - BLK	8
T120:007	Nut, Nylon Lock, M10 x P1.5 - BLK	17
T120:008	Bolt, Carriage screw Head, M8 x 1.25P x 100mm L - BLK	8
T120:009	Washer, Flat, M8 x Ø16mm x T1.2mm - BLK	8
T120:010	Side Step Rails - Support Locking Piece to Running Deck/Frame	8
T120:011	Washer, Large - BLK (for Stabilizer Foot #20)	2
T120:012	Nut, Nylon Lock, M8 x 1.25 - BLK	10
T120:013	Front Roller Assembly - Ø76mm x T3.4mm x 620mm L (w/ Ø105mm Pulley)	1
T120:014	Rear Roller Assembly - Ø76mm x T3.4 x 600mm L (w/ TPI6205ZZ Bearings)	1
T120:015	Bolt, Allen Head, M10 x 1.50P x 90mm L - BLK	3
T120:016	Washer, Flat, M10 x Ø 21mm x T2.0mm - BLK	5
T120:017	Nut, M10 x P1.5 x 6mm T - BLK	1
T120:018	Washer, Flat, Ø10.2mm x Ø17mm x T1.0mm - Zine	1
T120:019	Running Belt - 550mm W x 3,300mm L x 3.0mm T	1
T120:020	Stabilizer Foot - Self Leveling - Round Rubber Base - Rear	2
T120:021	Wire, Grounding, 60mm L -YELLOW/GREEN	1
T120:022		1
T120:023	Mounting Plate, for the Input 120v Power Supply, Switch & Breaker	1

Part #	Description	Qty
<b>Detailed Single Parts</b>		
T120:024	Ferrite Core - AC Motor Wires	1
T120:025	L Bracket, for Mounting the Motor Cover, Inner T=3.0	2
T120:026	L Bracket, for Mounting the Motor Cover, Front T=3.0	2
T120:027	Screw, Philips Head, M5 x 0.8P x 10mm L - BLK	41
T120:028	L Bracket, for Mounting the Motor Cover, Side T=3.0	2
T120:029	Lower Control Board / Inverter #RM6T6-1003E1 (RB)	1
T120:030	EVA Foam 12mm x 1,170mm x 2.0mm (T), for Motor Top Cover Insulation - BLK	1
T120:031	On/Off AC Rocker Switch	1
T120:032	Circuit Breaker - Reset Switch 16A	1
T120:033	AC Socket / Input Power - IEC 60320 C20, Black, 16A	1
T120:034	EVA Foam 20mm x 45mm x 2.0mm (T)	2
T120:035	Drive Motor - AC 6hp T.D. (KS)	1
T120:036	Bolt, Hex Head Cap, M10 x 1.5P x 30mm L - BLK	4
T120:037	Bolt, Allen Head, M10 x 1.5P x 50mm L - BLK	1
T120:038	Insulation Spacer, Upper, for Drive Motor Mounting to Main Frame	4
T120:039	Insulation Spacer, Lower, for Drive Motor Mounting to Main Frame	5
T120:040	Motor Cover, Top w/ Quick Release Technology	1
T120:041	Screw, Philips Head, M4 x 0.7P x 8mmL, for Motor Cover Quick Release - BLK	9
T120:042	Bushing, Rubber, for Drive Motor Alignment	2
T120:043	Drive Motor Pulley Belt - HUTCHINSON 10PJ660/26"	1
T120:044	Incline Motor - JS19-A	1
T120:045	Motor Cover, Top Front - BLK	1
T120:046	Motor Cover, Lower Front - BLK	1

Part #	Description	Qty
<b>Detailed Single Parts</b>		
T120:047	Bolt, hex head, M10 x 1.5P x 45mm L - BLK	1
T120:050	Grommet, Rubber w/ Quick Release for Motor Top Cover #40	6
T120:051	Screw, M6 x 1.0P x 25.5mm L, w/ ball end for Motor Top Cover Quick Disconnect - BLK	6
T120:052	Wire, Grounding, 500mm L - GREEN	1
T120:053	Screw, Phillips Round Head, M5 x 0.8P x 12mm L - BLK	4
T120:054	Supporting Upright Tubes, for Front Motor Covers	2
T120:055	Bolt, Allen Head, M8 x 1.25P x 65mm L - BLK	4
T120:056	Screw, Philips Head, M6 x 1.0P x 12mm L - BLK	6
T120:057	Drain Guider Tube, for Sweat or Moisture from Motor Top Cover	2
T120:059	PU Soft Tube 9.5mm x 1.5mm T x 215mm L, for Sweat or Moisture from Motor Top Cover	2
T120:063	Bolt, Allen Head, M8 x 1.25P x 15mm L - BLK	4
T120:064	Wire, White, 550mm L + 330mm L	1
T120:066	Transportation / Incline Wheel (Same Wheel as the T1000 #51 & T800 #80)	2
T120:067	Incline Frame Bushing	2
T120:069	Bolt, Shoulder, Hex Head, M12 x 1.75P x 80mm L - BLK	2
T120:070	Frame, Upright Connecting Tube, Right	1
T120:071	Frame, Upright Connecting Tube, Left	1
T120:072	Upright Post, Left Side ( T )	1
T120:073	Upright Post, Right Side ( T )	1
T120:074	Handlebar Frame, attaches to front of Dashboard	1
T120:076	Handrail Side Frame, with Rubber Foam Grip, Left	1
T120:077	Handrail Side Frame, with Rubber Foam Grip, Right	1
T120:087	Screw, Round Head, M4 x 0.7P x 12mm L - BLK	2
T120:101	Mounting Support Bracket, over Rear Roller, Right Side	1
T120:102	Mounting Support Bracket, over Rear Roller, Left Side	1
T120:103	End Cap, Ø53mm x 19.7mm OD, onto Rear Rail Covers #121 & #122	4
T120:107	Side Foot Rail Rear Cover, Right Top	1
T120:108	Side Foot Rail Rear Cover, Left Top	1
T120:109	Mounting Top Plate, over Support Bracket #101, Right Side	1
T120:110	Mounting Top Plate, over Support Bracket #102, Left Side	1

Part #	Description	Qty
<b>Detailed Single Parts</b>		
T120:111	Wire, Black 550mm L + 270mm L	1
T120:112	Wire, Black 150mm L	1
T120:113	Wire, White 100mm L	2
T120:114	Washer, Flat, M6 x Ø16 x T1.6 - BLK	8
T120:115	Power Cord, 120V/20A (NEMA 5-20), IEC 60320 C20, 2,997mm L - BLK	1
T120:116	Grounding Cable 220mm (Yellow/Green)	2
T120:117	Washer, Flat, M12 x 24mm D x 2.5mm T - BLK (for Elevation Frame Pivot Bolts #69)	4
T120:118	Cable, Upper Connect, 450mm L (7 PIN).	1
T120:119	Cable, Lower Connect, 550mm L (7 PIN)	1
T120:120	Cable, for Speed, 250mm L (3 PIN)	1
T120:121	Rail Cover, Rear, Right - BLK	1
T120:122	Rail Cover, Rear, Left - BLK	1
T120:123	Screw, Philips Head, M6 x 1.0P x 50mm L - BLK	4
T120:124	Rear Rollers Cover, w/ Center Safety Guard	1
T120:125	Screw, Philips Head, M5 x 0.8P x 15mm L - BLK	2
T120:126	Screw, Phillips Round Head, M5 x 0.8P x 25mm L - BLK	4
T120:127	Motor Side Cover, Inner, Right	1
T120:128	Motor Side Cover, Inner, Left	1
T120:129	Motor Side Cover, Outer, Left	1
T120:130	Motor Side Cover, Outer, Right	1
T120:131	Motor Side Cover Cap, 73.2mm x 72.9mm x 28.7 mm , Back Left, Back Lg one, for Access to Hardware #137	1
T120:132	Motor Side Cover Cap, 52.7mm x 52.2mm x 20.5 mm , Outer Left, Front Sm one, for Access to Hardware #136	1
T120:133	Motor Side Cover Cap, 73.2mm x 72.9 x 28.7 mm , Outer Right, Front Sm one, for Access to Hardware #137	1
T120:134	Motor Side Cover Cap, 52.7mm x 52.2mm x 20.5 mm, Outer Right, Back Lg one, for Access to Hardware #136	1
T120:135	Bolt, Shoulder, Hex Head, M10 x 70mm L - BLK	1
T120:136	Screw, Philips Head, M6 x 1.0P x 60mm L - BLK	2
T120:137	Screw, Philips Head, M6 x 1.0P x 16mm L - BLK	2
T120:138	Upright Cover, Outer Bottom, Right	1
T120:139	Upright Cover, Inner Bottom, Right	1
T120:140	Upright Cover, Outer Bottom, Left	1
T120:141	Upright Cover, Inner Bottom, Left	1

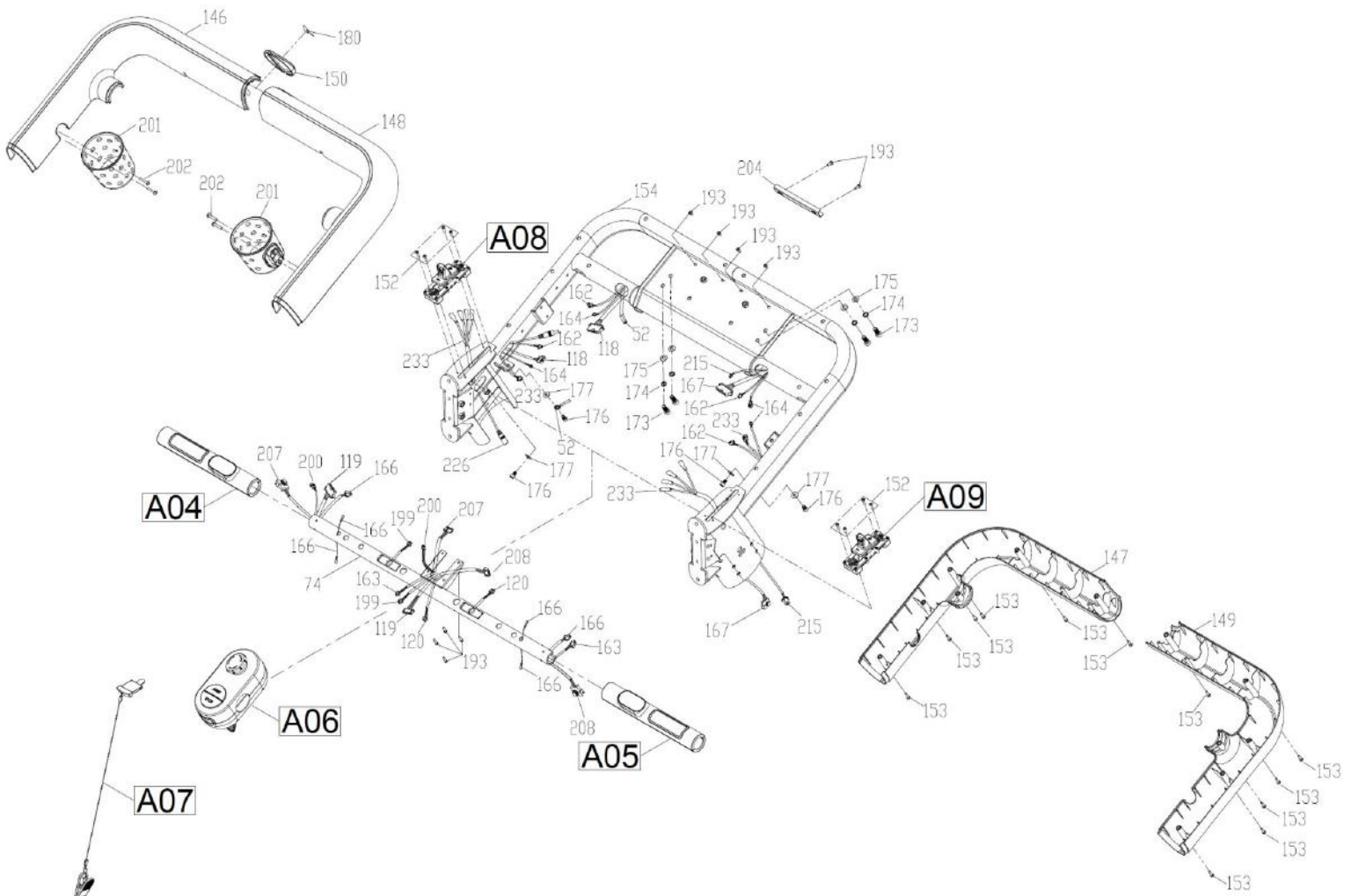
Part #	Description	Qty
<b>Detailed Single Parts</b>		
T120:142	Bolt, Flat Allen Head, M8 x 1.25P x 15mm L - BLK	20
T120:143	Bolt, Allen Head, M8 x 1.25P x 15mm L - BLK	8
T120:144	Upright Cover Cap, 53.3mm x 23.9 mm , Outer Bottom, Right, for Access to Upright Post	1
T120:145	Upright Cover Cap, 53.3mm x 23.9 mm, Outer Bottom, Left, for Access to Upright Post	1
T120:146	Dashboard Frame Cover, Upper, Left	1
T120:147	Dashboard Frame Cover, Lower, Left	1
T120:148	Dashboard Frame Cover, Upper, Right	1
T120:149	Dashboard Frame Cover, Lower, Right	1
T120:150	Dashboard Frame Cover, Logo Plate	1
T120:153	Screw, Round Philips Head, M4 x 0.7P x 20mm L - BLK	12
T120:154	Frame, Dashboard	1
T120:155	Handlebar Cover, Outer Left	1
T120:156	Handlebar Cover, Outer Right	1
T120:157	Handlebar Cover, Inner Left	1
T120:158	Handlebar Cover, Inner Right	1
T120:159	Console Rear Cover	1
T120:160	Screw, M4 x 0.7P x 50mm L - BLK	4
T120:162	Cable, Safety Key Connect, Upper, 450mm L (3 PIN)	2
T120:163	Cable, Safety Key Connect, Lower, 550mm L (3 PIN)	1
T120:164	Cable, Handgrip Heart-Rate, Sensor, 450mm L (2 PIN)	2
T120:165	Nut, Nylon Lock, M12 - BLK (for Elevation Frame Pivot Bolts #69)	2
T120:166	Cable, Handgrip Heart-Rate, Sensor, 200mm L (2 PIN)	2
T120:167	Cable, Upper, 800L (8 PIN)	1
T120:168	Cable, Mid, 900mm L (8 PIN)	1
T120:169	Cable, Lower, 450mm L (8 PIN)	1
T120:170	Console	1
T120:171	Mounting Plate, Console	1
T120:172	Bolt, Allen Head, M8 x 1.25P x 35mm L - BLK	5
T120:173	Bolt, Allen Head, M8 x 1.25P x 20mm L - BLK	12
T120:174	Washer, Spring, M8 - BLK	20
T120:175	Washer, Flat, M8 x Ø16 x T1.0 - BLK	20
T120:176	Screw, Allen Head, M6 x 1.0P x 10mm L - BLK	4
T120:177	Washer, Curve, M6 x Ø19 x T1.5 - BLK	4
T120:180	Sticker, EXP	1
T120:184	Motor Lock Plate, Inner Left	1
T120:185	Screw, M3 x 0.5P x 6mm L - BLK	2

Part #	Description	Qty
<b>Detailed Single Parts</b>		
T120:189	Motor Lock Plate, Inner Right	1
T120:190	Screw, Phillips Head, M5 x 0.8P x 12mm L - BLK	6
T120:191	Bolt, Allen Head, M8 x 1.25P x 60mm L - BLK	4
T120:192	Screw, Phillips Head, M4 x 0.7P x 12mm L - BLK	14
T120:193	Screw, Phillips Round Head, Self Taping, M4 x 0.7P x 12mm L - BLK	30
T120:194	Screw, Philips Flat Head, Self Taping , M4 x 0.7P x 12mm L - BLK	2
T120:195	Washer, Flat, M10 x Ø25 x T2.5 - BLK	5
T120:196	Bolt, Hex Head Cap, M8 x 1.25P x 25mm L - BLK	2
T120:197	Line Filter - EMI, 16AA2S5T, 16A, 125/250VAC	1
T120:198	Power Cord - Locking Screw-in Clip	1
T120:199	Cable, for Incline, 250mm L (3 PIN)	1
T120:200	Cable, HR Connect - Lower Cable- 550L ( 3PIN)	1
T120:201	Cup Holder, Plastic with Circle Holes - BLK	2
T120:202	Screw, Philips Head, M5 x 0.8P x 25mm L - BLK	4
T120:203	Screw, M5 x 0.8P x 16mm L - BLK	4
T120:204	Console LOGO Plate	1
T120:205	Nut, M6 - BLK	6
T120:206	Cable Tie, 1,500mm L	1
T120:207	Cable, for Incline Control Shifter, 550mm L (4 PIN)	1
T120:208	Cable, for Speed Control Shifter, 550mm L (4 PIN)	1
T120:215	Cable, DC power connect, Upper, 800mm L (2 PIN) - 12V	1
T120:216	Cable, DC power connect, Mid , 950L (2 PIN) - 12V	1
T120:217	Cable, DC power connect, Lower, 450mm L (2 PIN ) - 12V	1
T120:218	Mounting Plate, Motor Controller/Inverter	1
T120:219	Nut, Thin, M16 x 2.0 x T8mm - BLK (for Stabilizer Foot #20)	2
T120:220	Nut, M16 x 2.0 x T12mm - BLK (for Stabilizer Foot #20)	2
T120:221	L Bracket, Mounting for Quick Release Rubber Grommet	1
T120:222	Cable Clamp, Plastic w/ Screw Mounting Hole	1
T120:223	Cable, 210mm L ( White)	1
T120:224	Cable, 210mm L (BLACK)	1
T120:226	Cable, Power for Connect 22, Middle in Dashboard Assembly, 1,000mm L (Jack to Plug 2 wire, 1.35mm ID, 3.5mm OD)	1
T120:227	Power Supply, PA-AE01010, INPUT 100~240V, OUTPUT 13V/4A	1
T120:230	Washer, M5 x Ø10 x 0.7T	1
T120:231	Wire, Grounding for the AC motor - GREEN	1

Part #	Description	Qty
<b>Detailed Single Parts</b>		
T120:232	Screw, M5 x 0.8P x 6mm L - BLK	1
T120:233	Cable, Shifter Connect, Upper, 250mm L (4 PIN)	2
T120:236	Cable, Power Transfer, Lower, 250mm L (8 PIN)	1
T120:237	Wrench, Allen, 5mm x 113mm L	1
T120:238	Wrench, Allen, 5mm x 180 mm L	1
T120:239	Wrench, Allen, 6mm x 190 mm L	1
T120:240	Wrench, Allen, 8mm x 180 mm L	1
T120:241	Screwdriver, Phillips # 2	1
T120:242	Sticker, EXP Series for dashboard frame cover	1

Part #	Description	Qty
<b>Detailed Single Parts</b>		
T120:243	Sticker, EXP Series for Upright Post	2
T120:244	Label, Plug 110V	1
T120:245	Label, QR Code for Owner's Manual	1
T120:246	Label, Factory QR Code	2
T120:247	Label, T1200 Serial Number	4
T120:248	Sticker, Bodycraft for Side Rail	2
T120:249	Label, Indicate for T19" Touch screen	1
T120:250	Label, Power Cable for Connect-22	2
T120:251	Label, Warning for end of Right Rear Cover	1

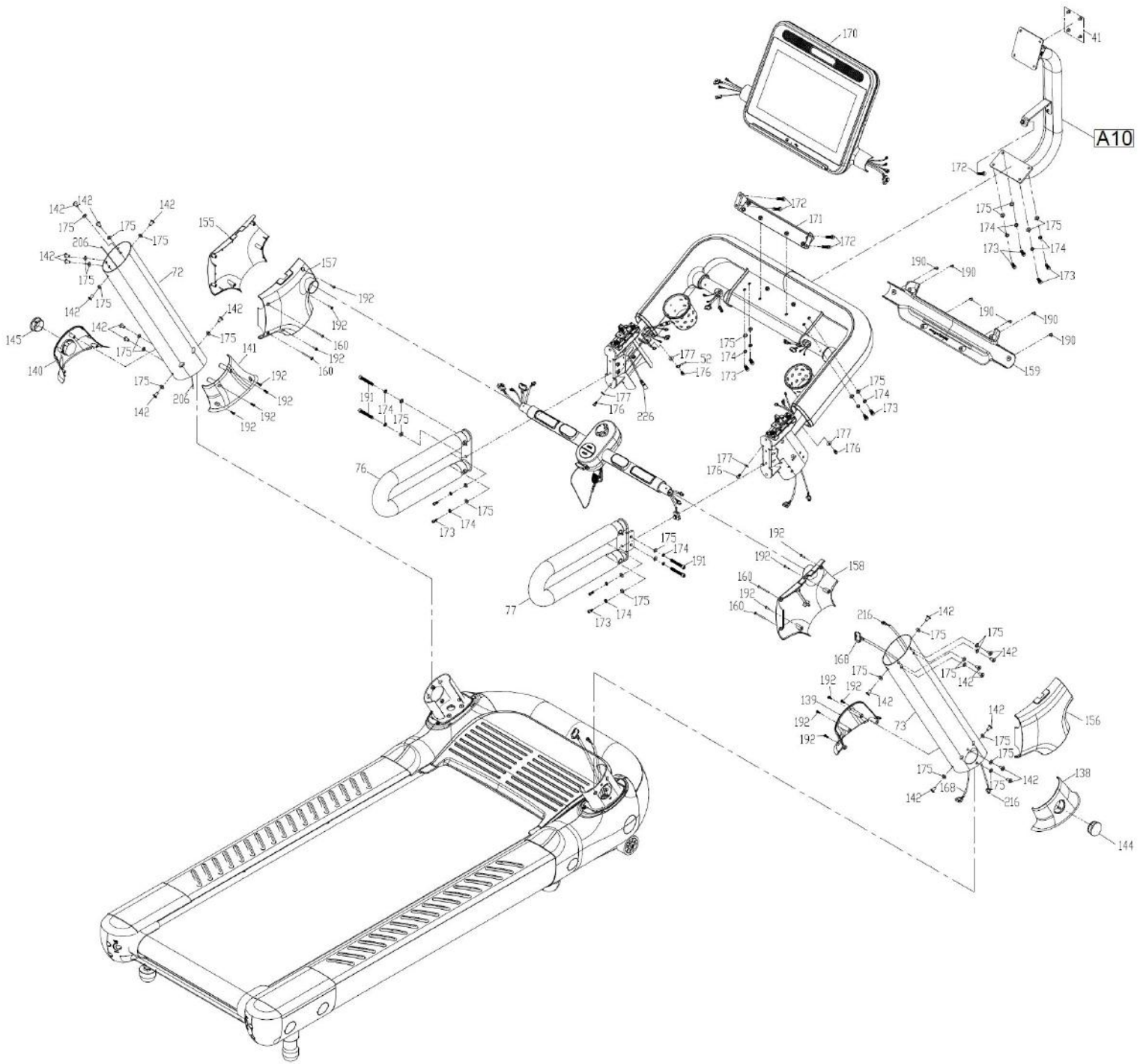
Product Parts Exploded View - Dashboard Assembly - T1200 (T120)



NOTE: Parts are not to scale



# Product Parts Exploded View - Upright Posts, Handlebars & Console- T1200 (T120)



**NOTE:** Parts are not to scale



## Product Warranty - Cardio T1200 (T120) Treadmill

### VALID FOR USA AND CANADA ONLY

(Please consult with your local distributor for warranty info specific to your region).

BODYCRAFT warrants its products to be free of defects in materials and workmanship for the time stated below to the original purchaser.

**Register your product within 30 days of purchase at [www.bodycraft.com](http://www.bodycraft.com) or call 800-990-5556**

#### **This warranty is valid only in accordance with the following conditions:**

The warranty begins on the original purchase date at retail and ends when the original owner disposes of it, either through sale, gift, or otherwise. This warranty is not transferable and is only valid to the original purchaser.

This warranty is available only for purchases made within and the original purchaser currently residing in the USA and Canada. Please consult with your local distributor for warranty information specific to your region. The product must have been registered within 30 days of the original purchase date or supply proof of purchase to validate warranty (original sales invoice).

This warranty does not extend to any losses or damages due to accident, misuse, abuse, neglect, negligence, unauthorized modification or alteration, use beyond rated capacity, unsuitable power sources or environmental conditions, water, tampering, cosmetic damages, or improper installation, handling, repair, maintenance, or application, or lack of proper maintenance.

If the item exhibits such a defect, BODYCRAFT will, at its option, repair or replace it without cost for parts. Shipping and handling charges may apply. (BODYCRAFT may require return of the part(s) or photographic evidence of the damaged part(s) prior to replacement.) Serial number is required.

Parts repaired or replaced will be warranted for the remainder of the original warranty period only.

#### **Residential Warranty (T1200AC):**

**Frame:** Lifetime, **Parts:** 10 years, **Console:** 3 years, **Labor:** 2 years  
**Headphone Jack, HDMI, CAB, ETHERNET & USB Port:** 90 days and **Labor:** None

#### **Commercial Warranty (T1200AC):**

**Frame:** 10 years, **Parts:** 5 years, **Console:** 3 years, and **Labor:** 2 year.  
**Headphone Jack, HDMI, CAB, ETHERNET & USB Port:** 90 days and **Labor:** None

#### **This warranty excludes the following:**

1. The warranty does not cover normal maintenance or labor charges unless labor terms are listed above.
2. Normal cosmetic wear on parts such as paint, seat coverings, foot rails, labels and logos.
3. Consumables such as batteries and heart rate belts that do not have a replaceable battery.
4. Eprom/Software version upgrades unless determined as necessary.
5. Any accessories not included in the original packaging.
6. Failure to perform Preventive Maintenance (PM) will void any parts warranty. See PM page for details.

\* This warranty is in lieu of all warranties, expressed or implied, and/or all other obligations or liabilities on our part, and we neither assume nor authorize any person to assume for us any other obligation or liability in connection with the sale of your BODYCRAFT product. Under no circumstances shall we be liable by virtue of this warranty or otherwise for damage to any person or property whatsoever for any special, indirect, incidental, secondary or consequential damage of any nature whatsoever arising out of the use or inability to use the BODYCRAFT product.

Register your product's warranty at [www.bodycraft.com/product-registration.html](http://www.bodycraft.com/product-registration.html)

## Warranty Registration - Cardio

Thank you for purchasing a BODYCRAFT product. To validate the product warranty the fast and easy way, please go on-line now to <https://www.bodycraft.com/product-registration.html> and register your product. The information you provide will never be distributed to any other individuals or agencies for any purpose. If you prefer to mail your warranty card, have the owner of the product complete the information below and return it to BODYCRAFT within 30 days from the date of equipment installation.

***Please Note: Failure to register this product will result in no servicing or authorization of parts to be shipped.***

To mail your warranty information, please fill in the information below and mail to: Service Dept., BODYCRAFT, 7699 Green Meadows Dr. Lewis Center, Ohio 43035 (or save postage and register online at <https://www.bodycraft.com/product-registration.html>)

## Warranty Registration

PLEASE PROVIDE BOTH SERIAL NUMBERS BELOW.  
REQUIRED FOR WARRANTY REGISTRATION:

BASE UNIT SERIAL NUMBER:

CONSOLE SERIAL NUMBER:

Model Type: \_\_\_\_\_

Date of Purchase \_\_\_\_\_

Your Company Name \_\_\_\_\_

Contact First Name \_\_\_\_\_

Contact Last Name \_\_\_\_\_

Address \_\_\_\_\_

City \_\_\_\_\_ State \_\_\_\_\_ ZIP \_\_\_\_\_

Email Address \_\_\_\_\_ Website \_\_\_\_\_

Phone \_\_\_\_\_ Fax \_\_\_\_\_

1. Where did you first learn about BODYCRAFT?

- a. Dealer                       b. Website  
 c. Advertisement           d. Referral  
 e. Current Customer         f. Other \_\_\_\_\_

2. Why did you purchase a BODYCRAFT product?

- a. Design/Appearance       b. Dealer Suggestion  
 c. Price/Value                 d. Quality Construction  
 e. Performance                f. BODYCRAFT Reputation  
 g. Other: \_\_\_\_\_

3. Please indicate your type of facility:

- a. Apartment/Condo         b. Corporate Fitness Center  
 c. Municipality               d. Health Club/Gym/Spa  
 e. Hotel/Resort               f. Military Base  
 g. Student Rec Center       h. Home

4. What other types of equipment does your company or home currently own?

- a. Treadmill                      Brand \_\_\_\_\_  
 b. Elliptical                      Brand \_\_\_\_\_  
 c. Bike/Indoor Cycle          Brand \_\_\_\_\_  
 d. Free Weights/Gym          Brand \_\_\_\_\_

5. How many people use your facility on a daily basis?

- a. <25                               b. 25-75  
 c. 76-150                           d. 150+

6. Do you plan to purchase more fitness equipment in the next 6-12 months?

- Yes  No

7. If you answered "yes" to question 6, what type do you plan to purchase?

- a. Treadmill                       b. Elliptical  
 c. Bike/Indoor Cycle           d. Free Weights  
 e. Gym                                 f. Other \_\_\_\_\_

8. Would you recommend BODYCRAFT to other club or home owners?

- Yes  No

9. You are a valued BODYCRAFT customer and your suggestions allow us to continually improve your experience. Is there anything else you would like us to know? Please explain:



800.990.5556  
SERVICE@BODYCRAFT.COM  
WWW.BODYCRAFT.COM



BODYCRAFT  
7699 GREEN MEADOWS DR.  
LEWIS CENTER, OHIO 43035