

# BODYCRAFT

## EXP SERIES™

### T1200-TV (Bracket)

T1200 Treadmill Bracket w/ VESA 100 Mount for the Connect-22, Monitor or TV

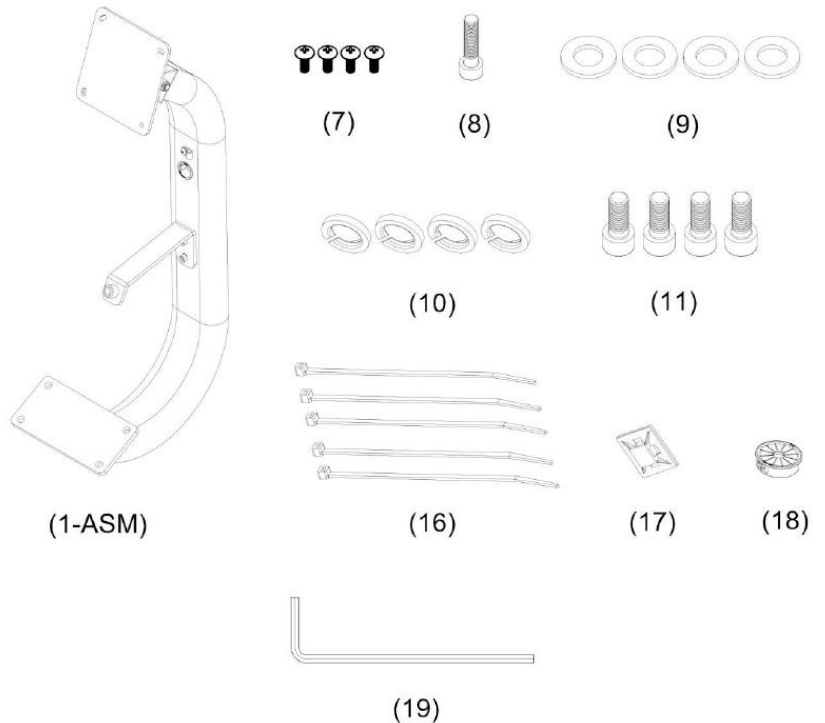


For the Owner's Manual, Assembly STEPS in **FULL COLOR** & additional information, scan this QR code.



#### Assembly Parts List, T1200-TV (Bracket)

Part #	Assembly Parts List	QTY
T1200-TV:001-ASM	Bracket Frame - Assembly	1
T1200-TV:007	Screw, Philips Head, M4 x 0.7P x 8mm L, for Connect-22 - BLK	6
T1200-TV:008	Bolt, Allen Socket Head, M8 x 1.25P x 35mm L - BLK	1
T1200-TV:009	Washer, Flat, M8 x Ø16 x T1.0 - BLK	4
T1200-TV:010	Washer, Spring, M8 - BLK	4
T1200-TV:011	Bolt, Allen Socket Head, M8 x 1.25P x 20mm L - BLK	4
T1200-TV:016	Cable Tie, Zip Locking, 100mm L - BLK	5
T1200-TV:017	Cable Tie Mount w/ Adhesive Backing - BLK	1
T1200-TV:018	Grommet, Cable Hole Cover, RSB-35 for TM Base - BLK	1
T1200-TV:019	Wrench, Allen, M4 x 75mm L for adj. the Bracket Support	1



## Assembly Manual

T1200-TV (Bracket) AM v1.2



WWW.BODYCRAFT.COM



800-990-5556



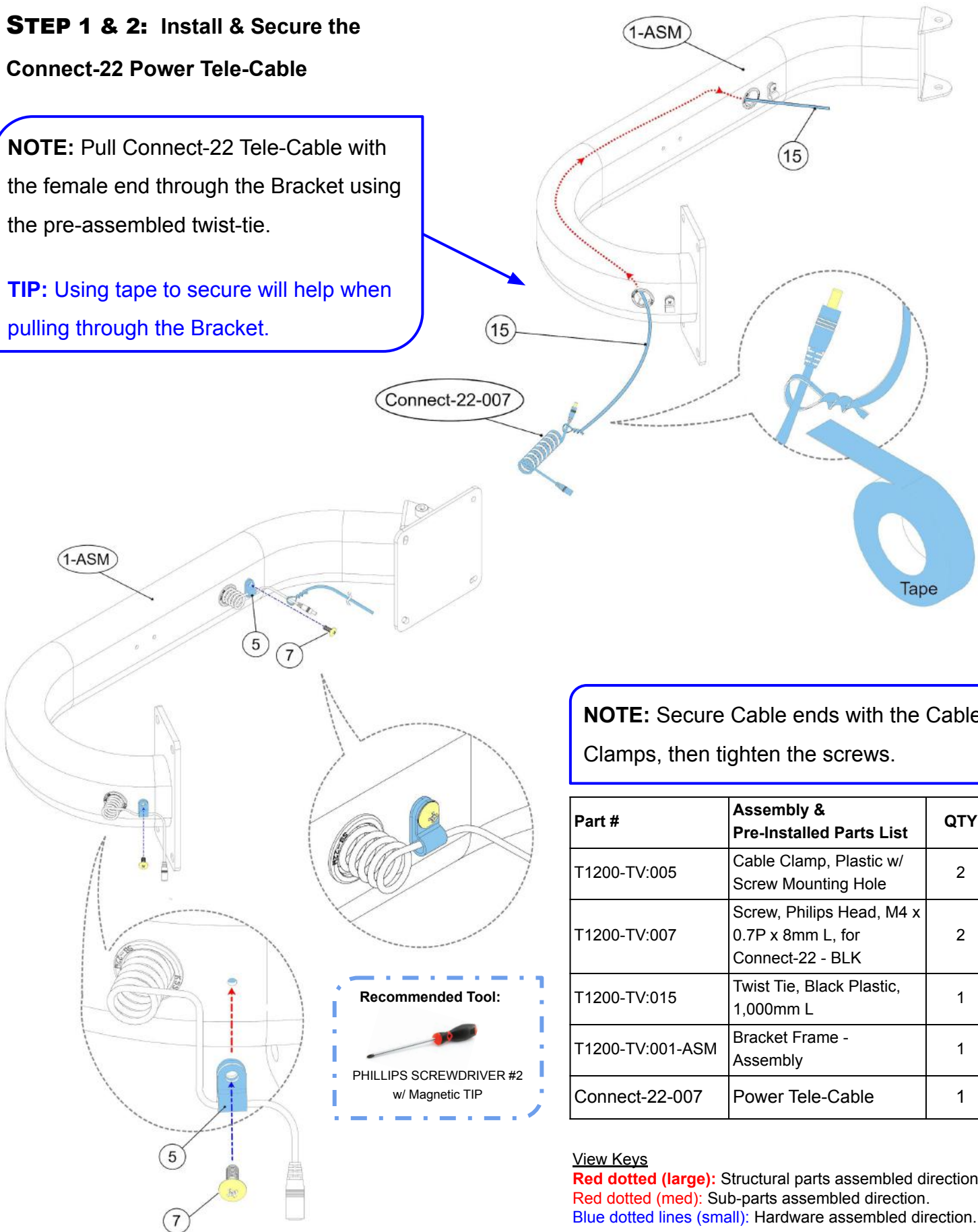
SERVICE@BODYCRAFT.COM

## Product Assembly, TM1200-TV (Bracket)

### STEP 1 & 2: Install & Secure the Connect-22 Power Tele-Cable

**NOTE:** Pull Connect-22 Tele-Cable with the female end through the Bracket using the pre-assembled twist-tie.

**TIP:** Using tape to secure will help when pulling through the Bracket.



**NOTE:** Secure Cable ends with the Cable Clamps, then tighten the screws.

Part #	Assembly & Pre-Installed Parts List	QTY
T1200-TV:005	Cable Clamp, Plastic w/ Screw Mounting Hole	2
T1200-TV:007	Screw, Philips Head, M4 x 0.7P x 8mm L, for Connect-22 - BLK	2
T1200-TV:015	Twist Tie, Black Plastic, 1,000mm L	1
T1200-TV:001-ASM	Bracket Frame - Assembly	1
Connect-22-007	Power Tele-Cable	1

#### View Keys

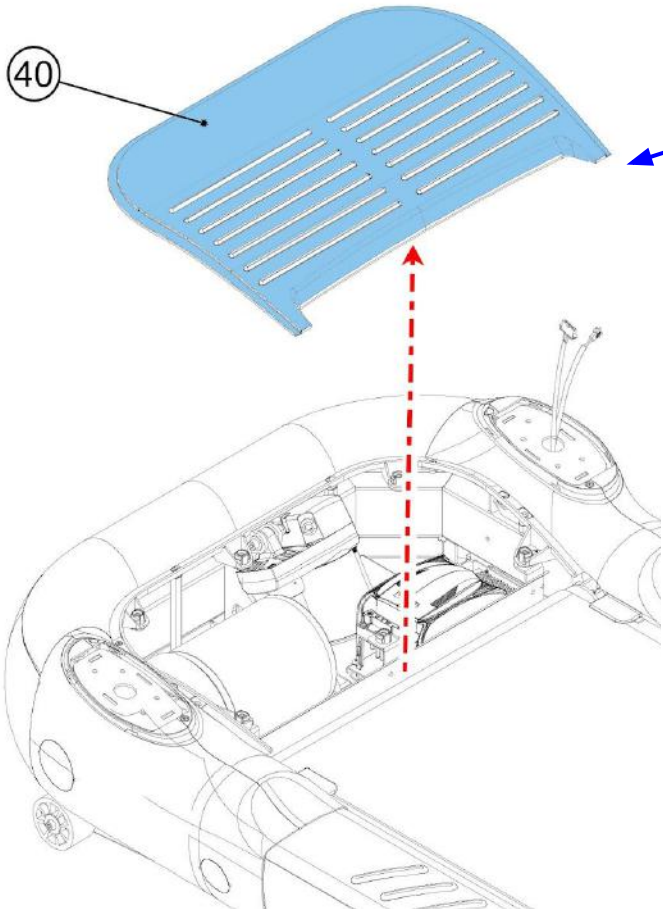
**Red dotted (large):** Structural parts assembled direction.

**Red dotted (med):** Sub-parts assembled direction.

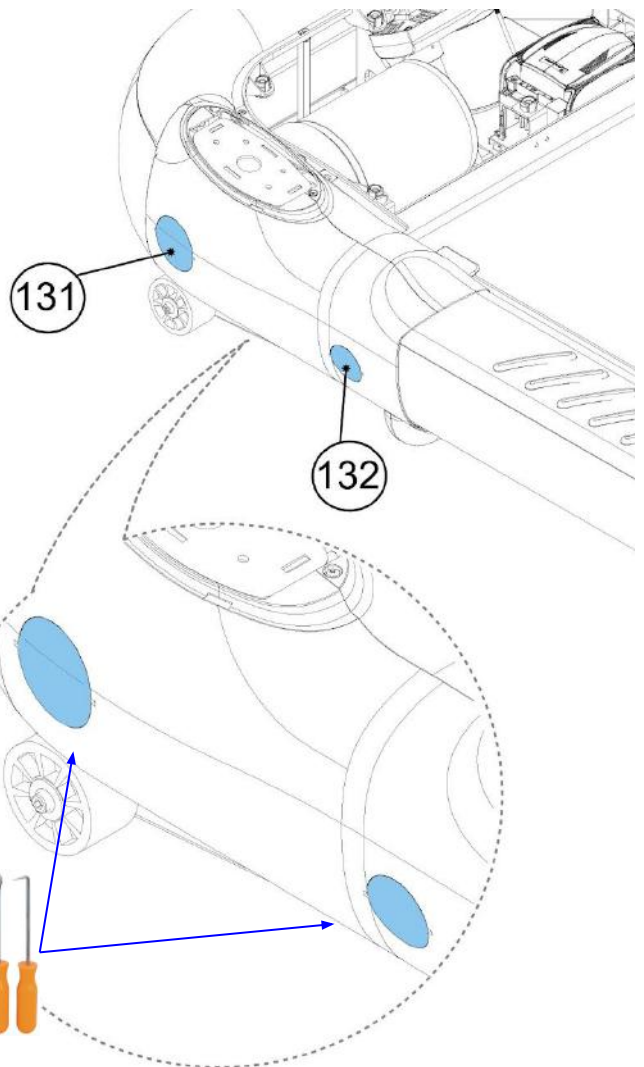
**Blue dotted lines (small):** Hardware assembled direction.

## Product Assembly, TM1200-TV (Bracket)

### STEP 3 & 4: Remove Motor Hood and Motor Side Cover Caps (Left Side ONLY)



**NOTE:** While using your HANDS ONLY, gently pull upward to release the Motor Cover.



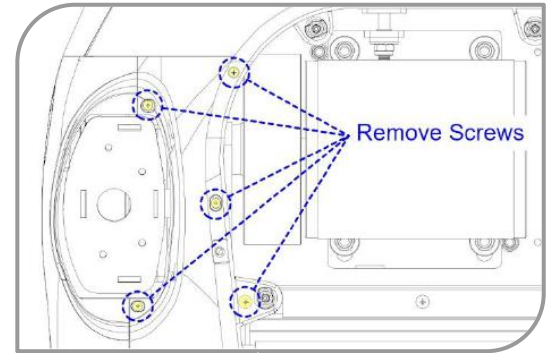
**TIP:** Use a small flat screwdriver or a pick set, to take the round caps off.

Part #	Pre-Assembled Parts	Qty
T120:040	Motor Cover, Top w/ Quick Release Technology	1
T120:131	Motor Side Cover Cap, 73.2mm x 72.9mm x 28.7 mm , Back Left, Back Lg one, for Access to Hardware #137	1
T120:132	Motor Side Cover Cap, 52.7mm x 52.2mm x 20.5 mm , Outer Left, Front Sm one, for Access to Hardware #136	1

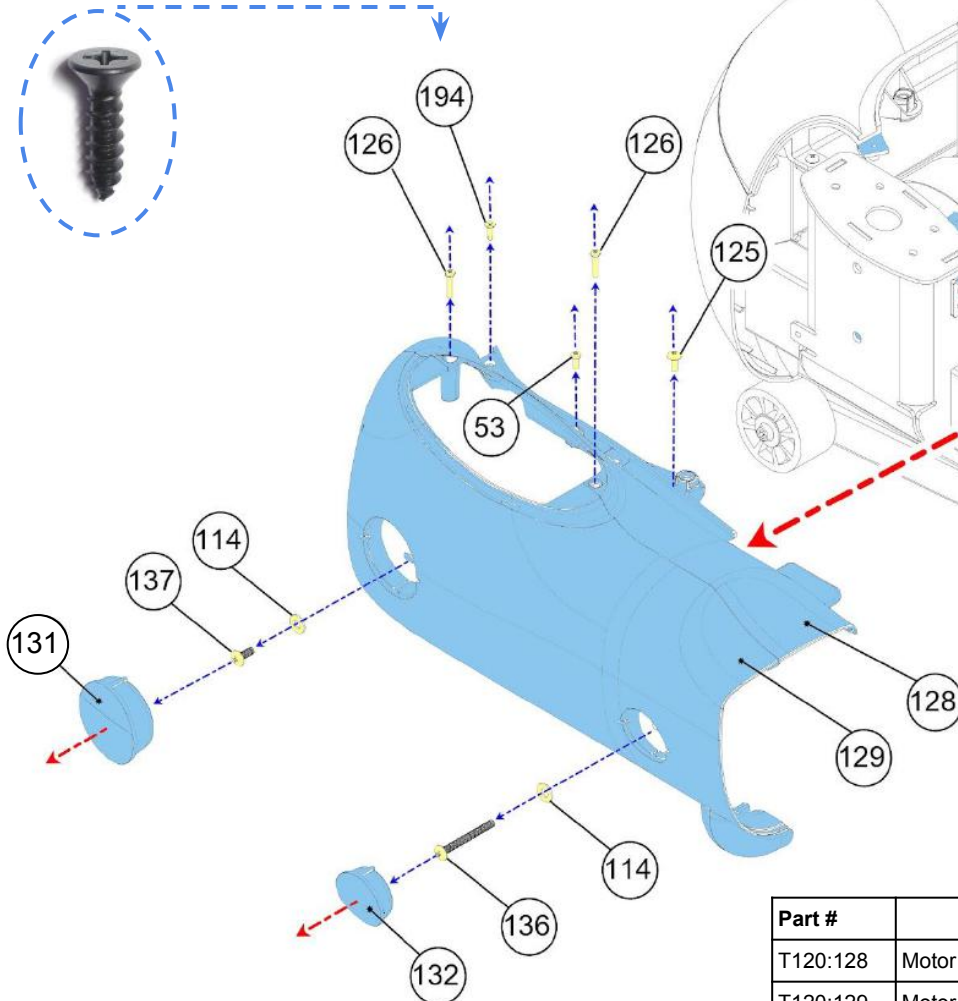
## Product Assembly, TM1200-TV (Bracket)

### STEP 5: Remove Pre-Assembled Inner & Outer (LEFT SIDE) Motor Side Covers

Part #	Pre-Assembled Hardware	Qty
T120:053	Screw, Round Phillips Head, M5 x 0.8P x 12mm L - BLK	1
T120:114	Washer, Flat, M6 x Ø16 x T1.6 - BLK	2
T120:125	Screw, Philips Head, M5 x 0.8P x 15mm L - BLK	1
T120:126	Screw, Round Phillips Head, M5 x 0.8P x 25mm L - BLK	2
T120:136	Screw, Philips Head, M6 x 1.0P x 60mm L - BLK	1
T120:137	Screw, Philips Head, M6 x 1.0P x 16mm L - BLK	1
T120:194	Screw, Philips Head, Self Taping , M4 x 0.7P x 12mm L - BLK	1



**Caution:** Individual screws are specific to each location!



**Recommended Tool:**



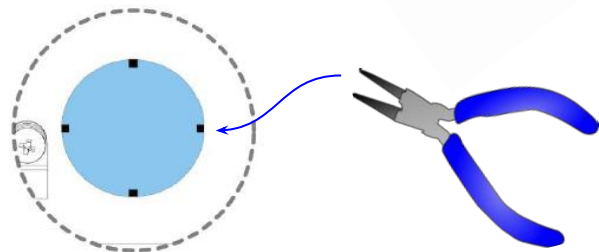
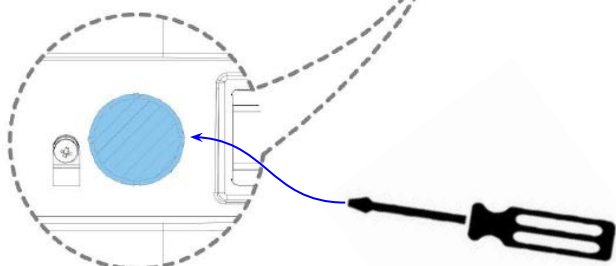
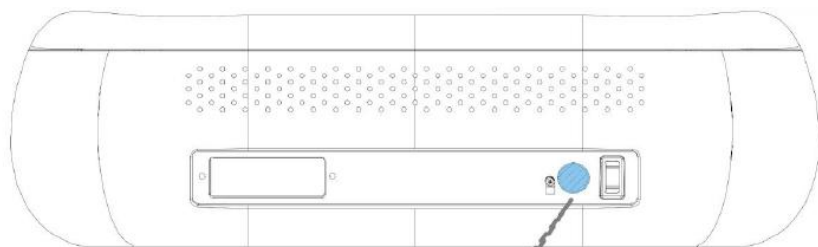
PHILLIPS SCREWDRIVER #2  
w/ Magnetic TIP

**TIP:** For EASIER re-assembly in STEP 18, place all top screws back into their holes on the Motor Side Covers. This will help to not lose the small screws, **or** forget which location they go during re-assembly.

Part #	Pre-Assembled Parts	Qty
T120:128	Motor Side Cover, Inner, Left	1
T120:129	Motor Side Cover, Outer, Left	1
T120:131	Motor Side Cover Cap, 73.2mm x 72.9mm x 28.7 mm , Back Left, Back Lg one, for Access to Hardware #137	1
T120:132	Motor Side Cover Cap, 52.7mm x 52.2mm x 20.5 mm , Outer Left, Front Sm one, for Access to Hardware #136	1

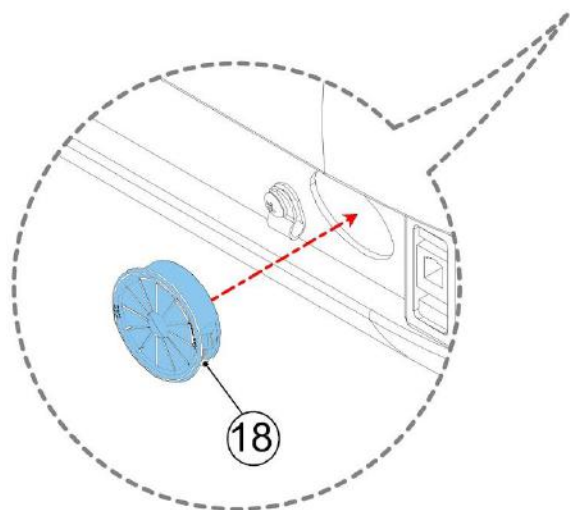
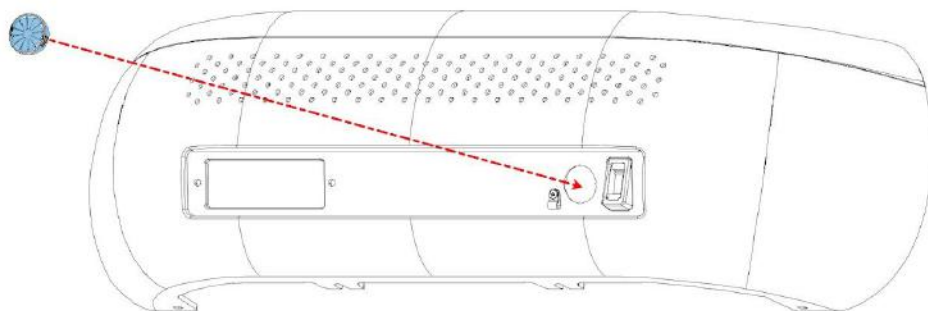
## Product Assembly, TM1200-TV (Bracket)

### STEP 6: Remove Plastic Knock-Out on Front Motor Cover & Install Grommet



**NOTE:** GENTLY, while using a flat screwdriver, remove the 3" round plastic knock-out.

Follow up using a small pliers to break off the burrs.

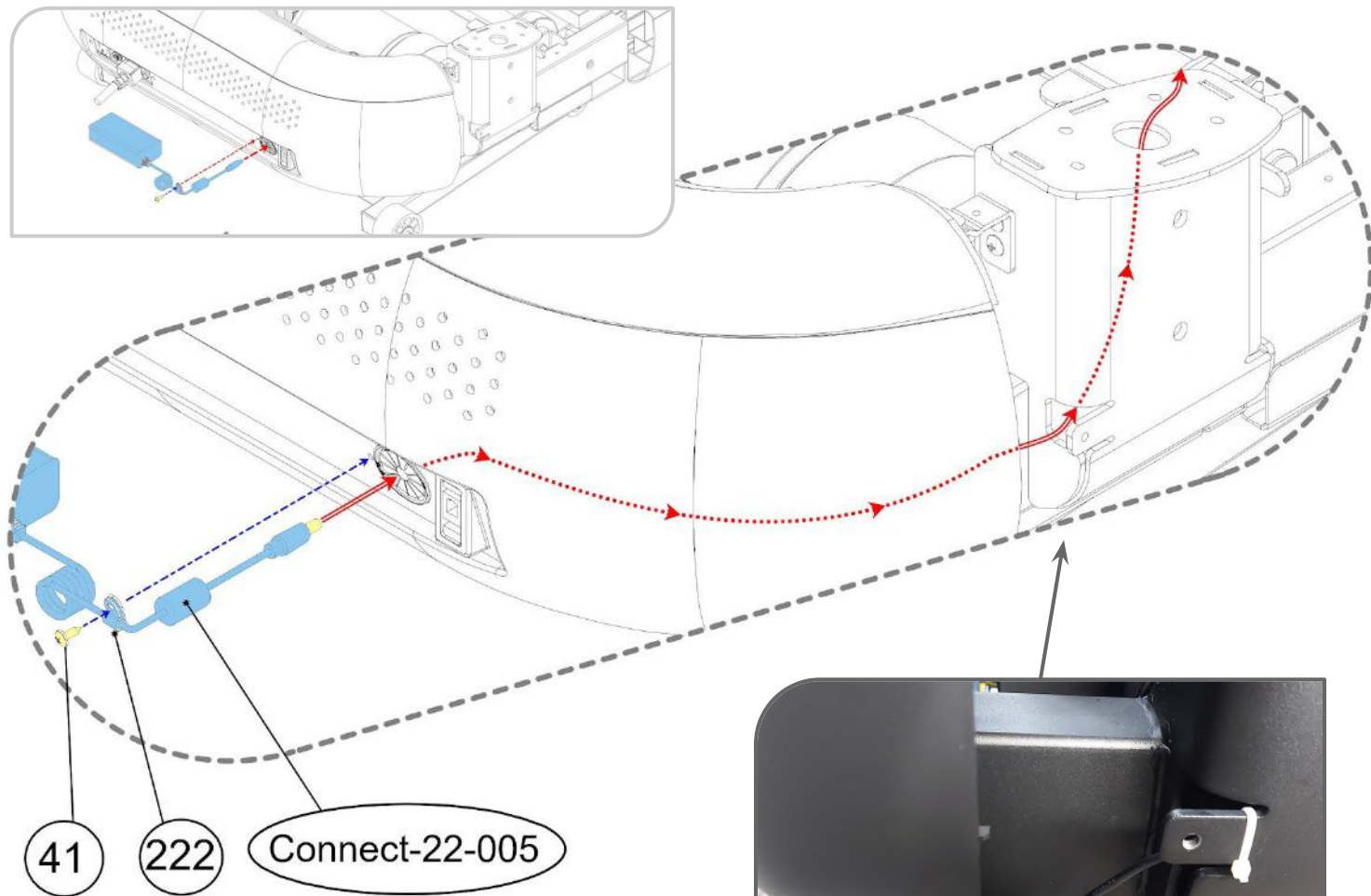


Part #	Detailed Parts List	QTY
T1200-TV:018	Grommet, Cable Hole Cover, RSB-35 for TM Base - BLK	1

## Product Assembly, TM1200-TV (Bracket)

### STEP 7: Install & Secure the Connect-22 Power Supply Cable

**NOTE:** Pull Connect-22 Power Supply Cable with the female end first, behind the Front Motor Cover then the Left Frame upward in circle hole.



Picture above for routing reference, DO NOT secure cable at this time.



Part #	Connect-22 & Pre--Assembled Part	Qty
T120:041	Screw, Philips Head, M4 x 0.7P x 8mmL, for Motor Cover Quick Release - BLK	1
T120:222	Cable Clamp, Plastic w/ Screw Mounting Hole	1
Connect-22-005	Power Supply	1

# Product Assembly, TM1200-TV (Bracket)

## STEP 8 & 9: Install Upright Connecting Tubes (Rt & Lt)

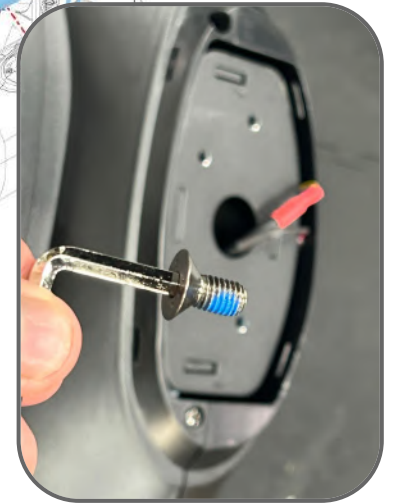
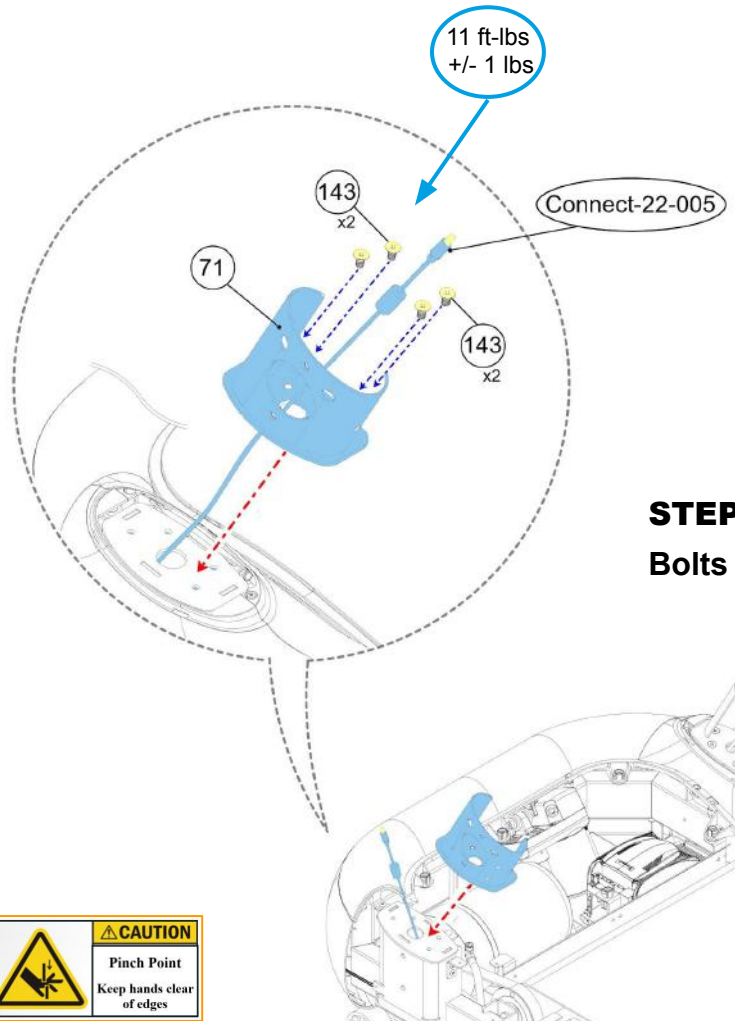
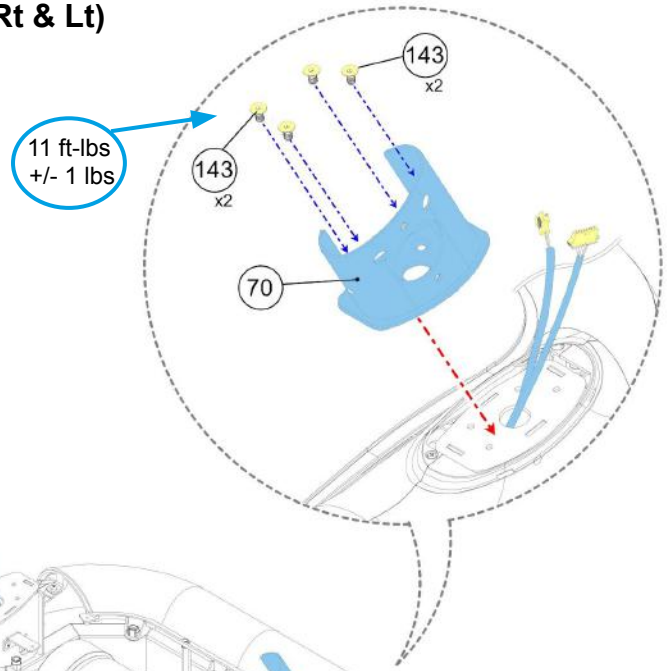


**TIP:** Filling the center open hole with any extra parts plastic bag, keeps potential bolts & tools from accidentally falling into frame.

Recommended Tool:



**ALLEN WRENCH**  
5mm



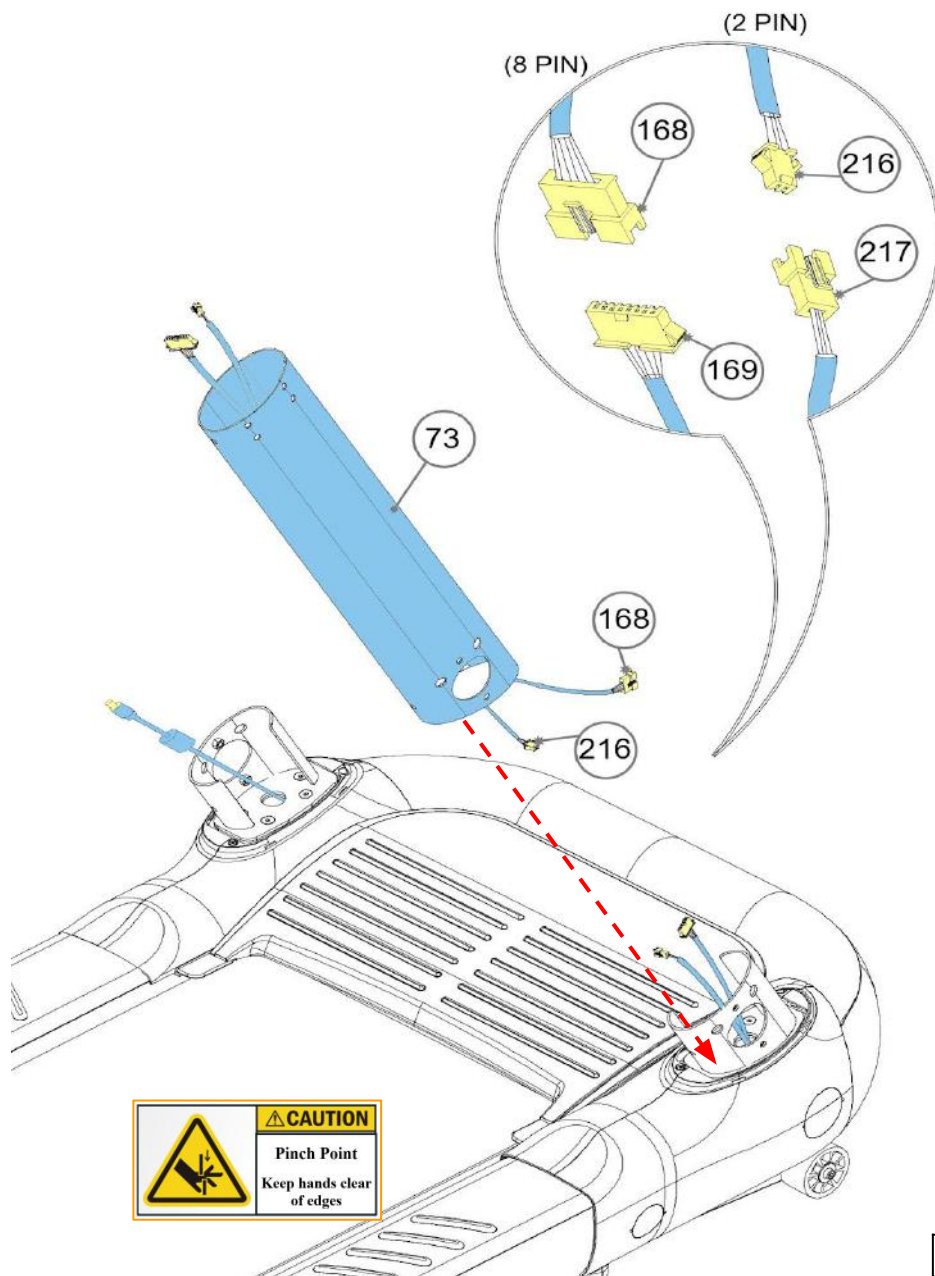
**STEP 9b "Torque Time" :** Tighten the Allen Head Bolts (#143) to the recommended **11 ft-lbs +/- 1 lbs**.



Part #	Description	Qty
T120:070	Frame, Upright Connecting Tube, Right	1
T120:071	Frame, Upright Connecting Tube, Left	1
T120:143	Bolt, Allen Head, M8 x 1.25P x 15mm L - BLK	8

# Product Assembly, TM1200-TV (Bracket)

## STEP 10: Connect Cables on Right Upright Post



Part #	Description	Qty
T120:073	Upright Post, Right Side ( T )	1

**NOTE:** Confirm connections have no bent pins (**Fig. 2**) and are securely locked (**Fig. 3**) with a gentle pull after connected.



Fig. 2

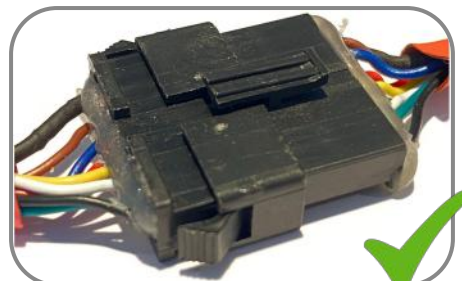
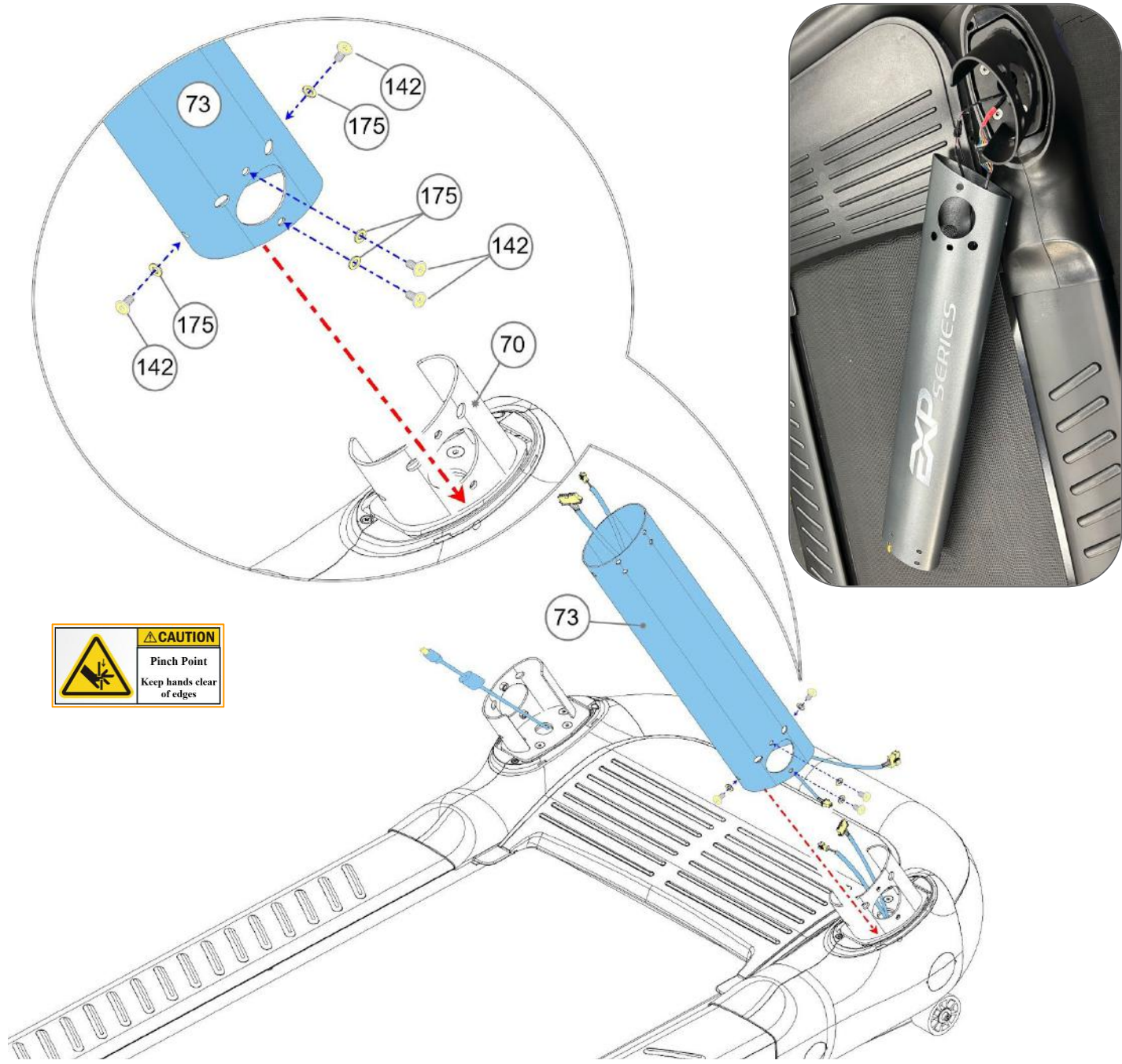


Fig. 3



**STEP 11: Install Right Upright Post**

 Please Hand Tighten All Bolts Until STEP 20



**CAUTION**  
Pinch Point  
Keep hands clear of edges

 Be Careful To Not Pinch Wires

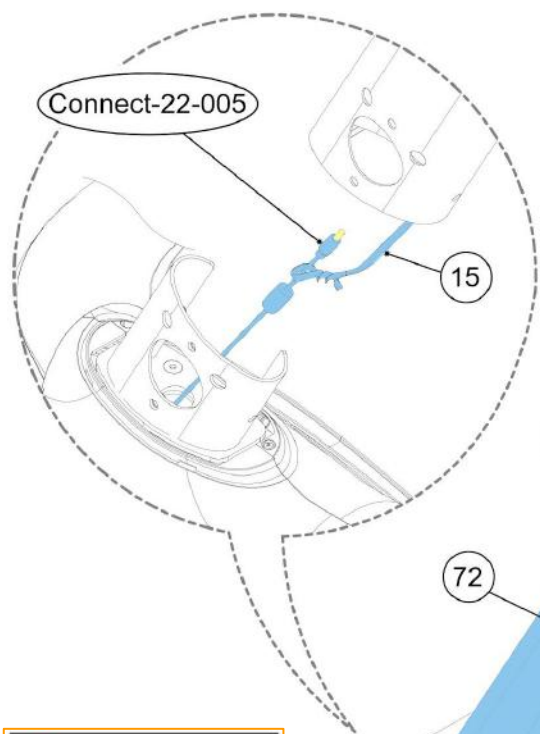
Part #	Description	Qty
T120:073	Upright Post, Right Side ( T )	1
T120:142	Bolt, Flat Allen Head, M8 x 1.25P x 15mm L - BLK	4
T120:175	Washer, Flat, M8 x Ø16 x T1.0 - BLK	4


# Product Assembly, TM1200-TV (Bracket)

## STEP 12: Pull through the Connect-22 Cable

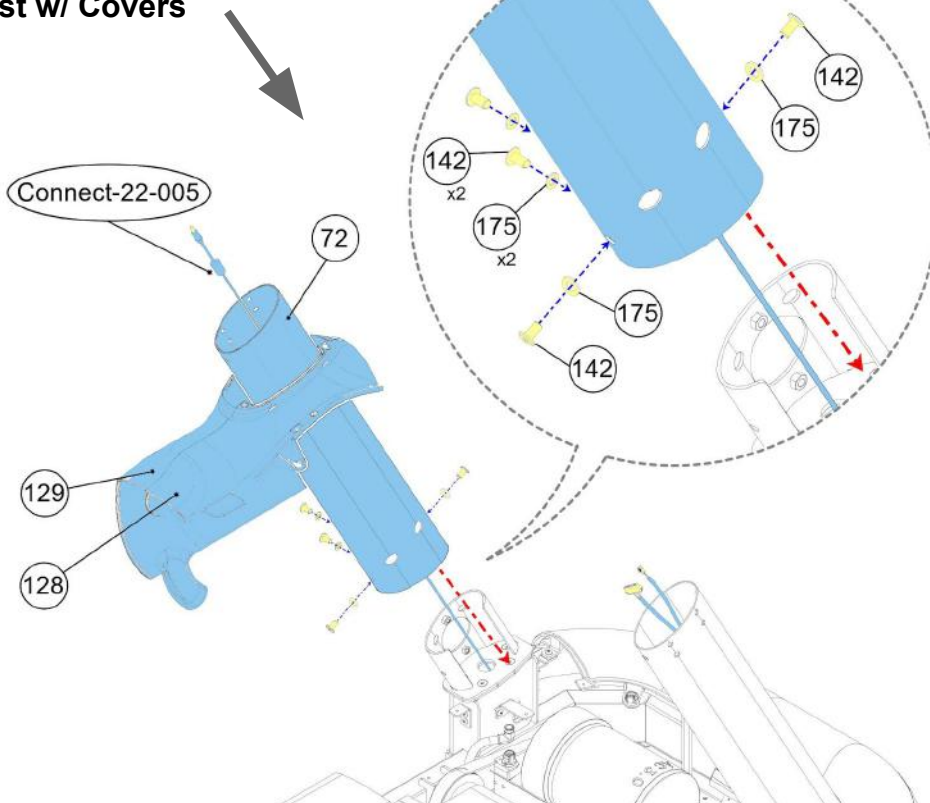
  
**Please Hand Tighten All Bolts Until STEP 20**

 **CAUTION**  
 Pinch Point  
 Keep hands clear of edges

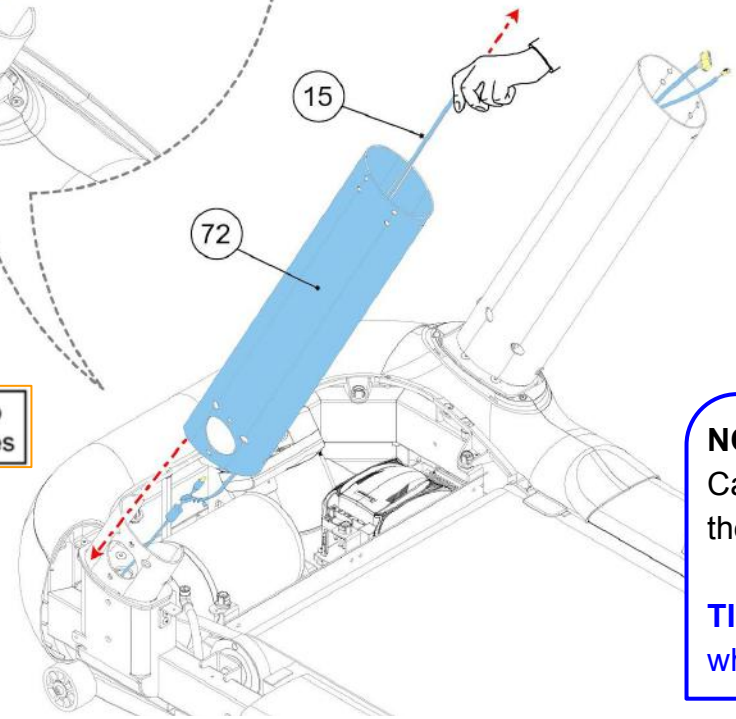


 **Be Careful To Not Pinch Wires**

## STEP 13: Install Left Upright Post w/ Covers



Part #	Description	Qty
T120:072	Upright Post, Left Side ( T )	1
T120:142	Bolt, Flat Allen Head, M8 x 1.25P x 15mm L - BLK	4
T120:175	Washer, Flat, M8 x Ø16 x T1.0 - BLK	4

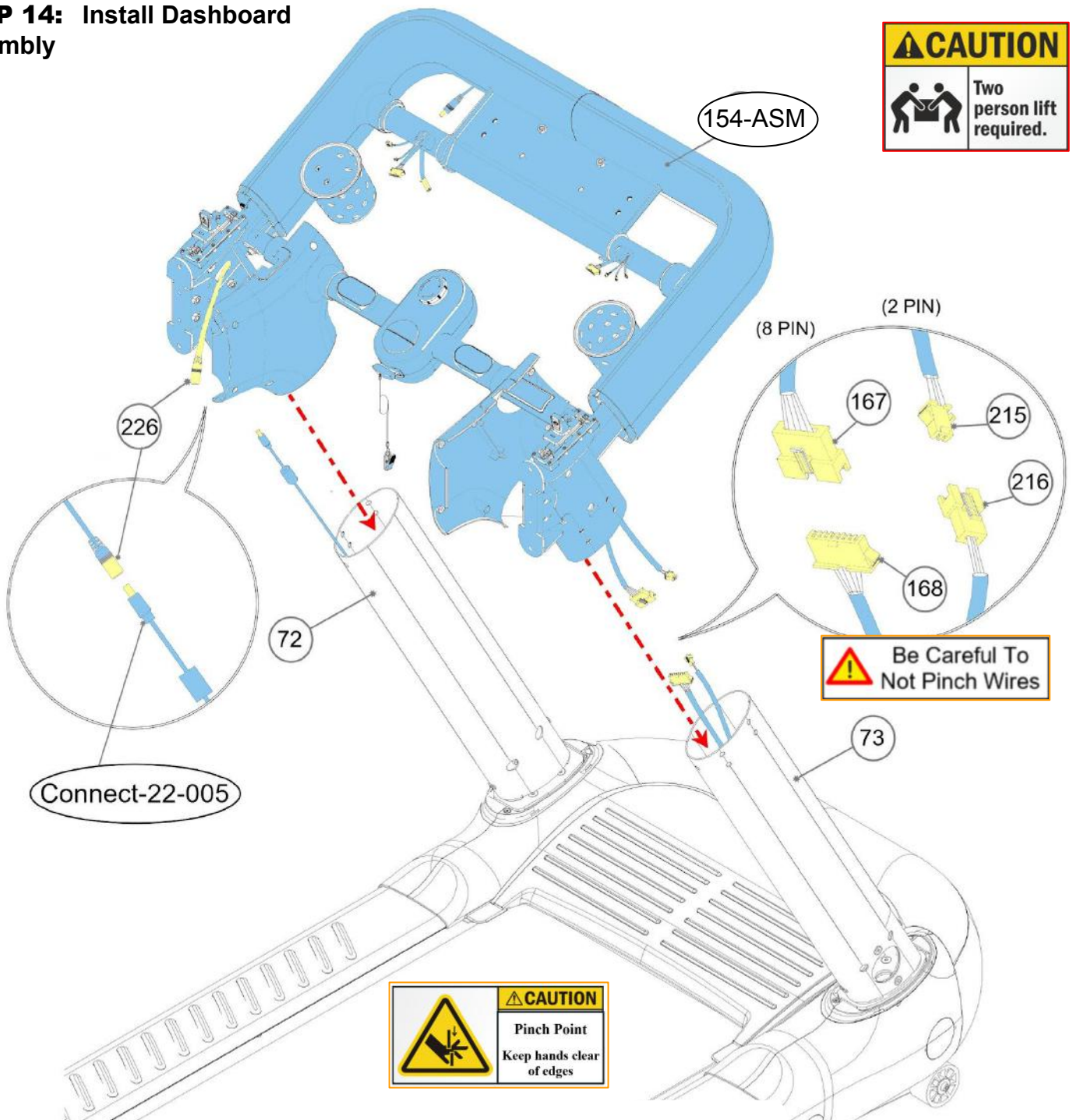


**NOTE:** Pull the Connect-22 Power Cable with the female end, using the pre-assembled twist-tie.


**TIP:** Using tape to secure will help when pulling through the Bracket.

# Product Assembly

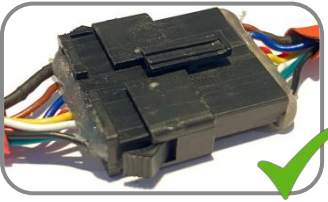
## STEP 14: Install Dashboard Assembly



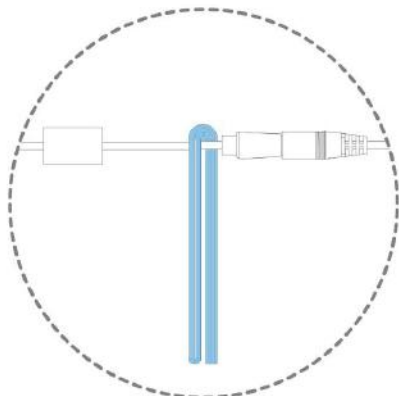
Part #	Assembly Parts	Qty
T120:154-ASM	Dashboard - Assembly	1



**NOTE:** Confirm connections have no bent pins (**Left Image**) and are securely locked (**Right Image**) with a gentle pull after connected.



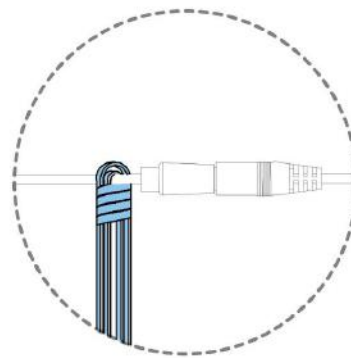
**STEP 15: Create a secure connection with the long Twist Tie**



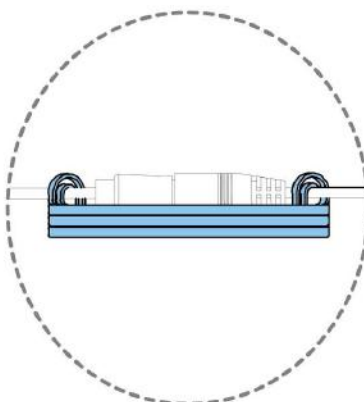
**A:** Fold the Twist Tie in half over the 1st cable.



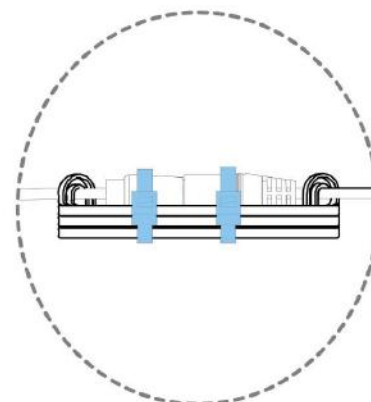
Folding Diagram



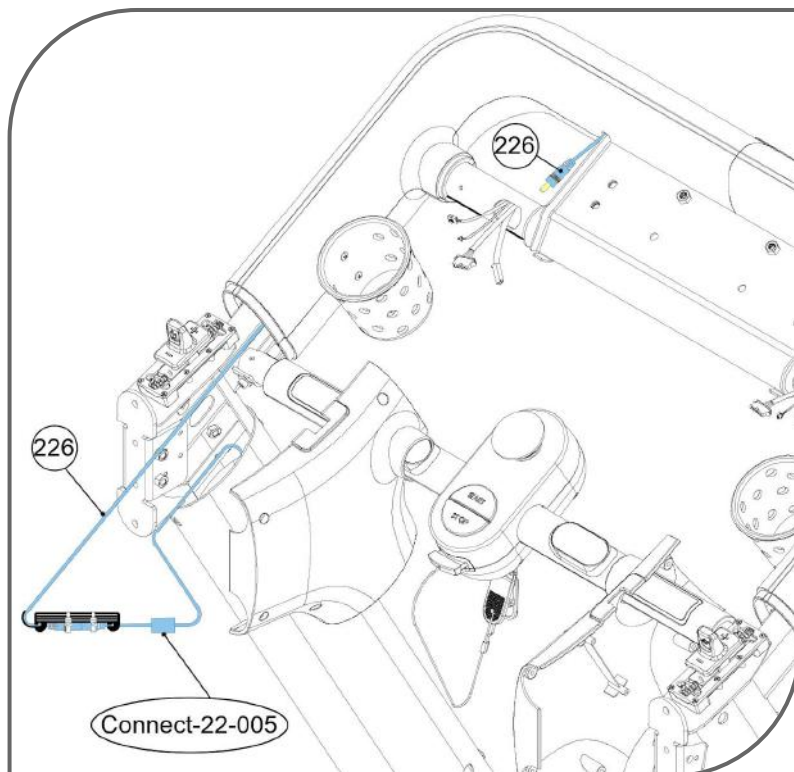
**B:** Wrap Twist Tie about 3 times.



**B:** Wrap around the other end.



**B:** Use Cable Ties to secure.



Part #	Connect-22 & Pre--Assembled Part	Qty
T120:226	Cable, Power for Connect 22, Middle in Dashboard Assembly, 1,000mm L (Jack to Plug 2 wire, 1.35mm ID, 3.5mm OD)	1
T1200-TV:015	Twist Tie, Black Plastic, 1,000mm L	1
T1200-TV:016	Cable Tie, Zip Locking, 100mm L - BLK	2
Connect-22-005	Power Supply	1

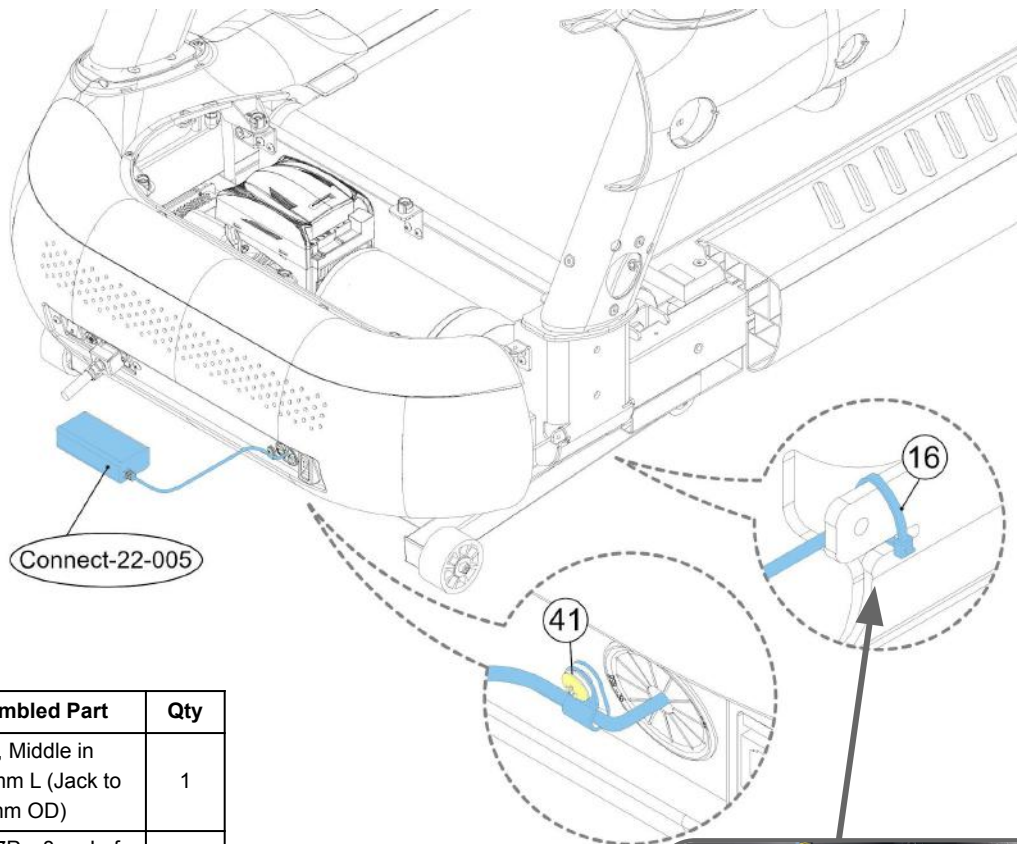
## Product Assembly, TM1200-TV (Bracket)

### STEP 16: Pull the Excess Cable Back to the Front of the Treadmill & Secure

**Recommended Tool:**



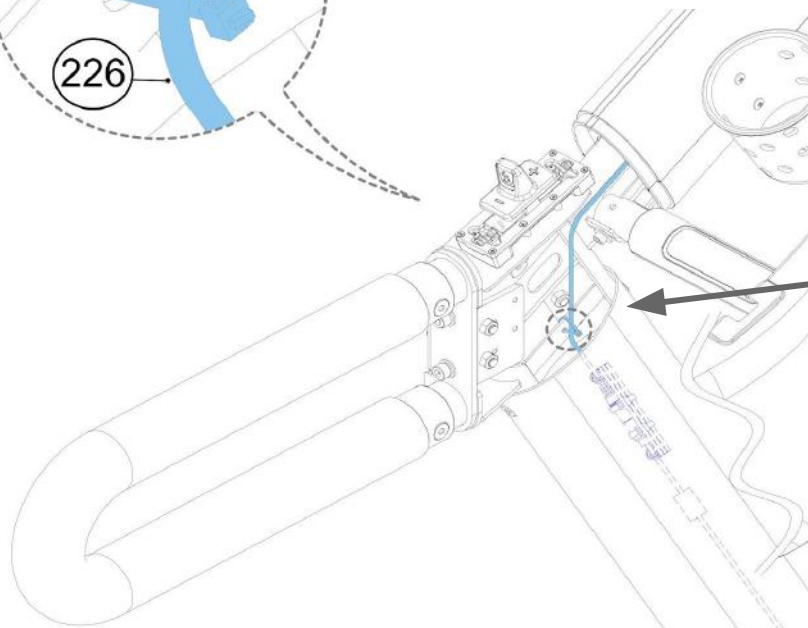
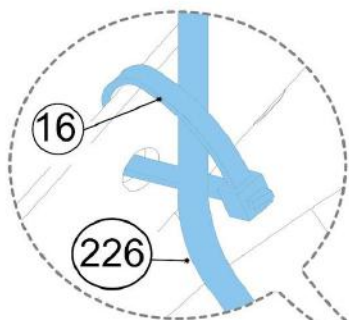
PHILLIPS SCREWDRIVER #2  
w/ Magnetic TIP



Part #	Connect-22 & Pre--Assembled Part	Qty
T120:226	Cable, Power for Connect 22, Middle in Dashboard Assembly, 1,000mm L (Jack to Plug 2 wire, 1.35mm ID, 3.5mm OD)	1
T120:041	Screw, Philips Head, M4 x 0.7P x 8mmL, for Motor Cover Quick Release - BLK	1
T1200-TV:016	Cable Tie, Zip Locking, 100mm L - BLK	2
Connect-22-005	Power Supply	1



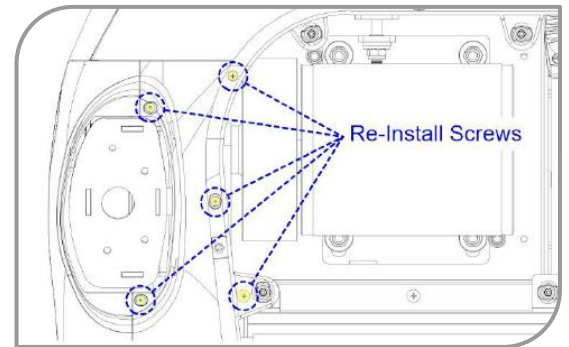
### STEP 17: Secure with Cable Tie at the Left Upright Post



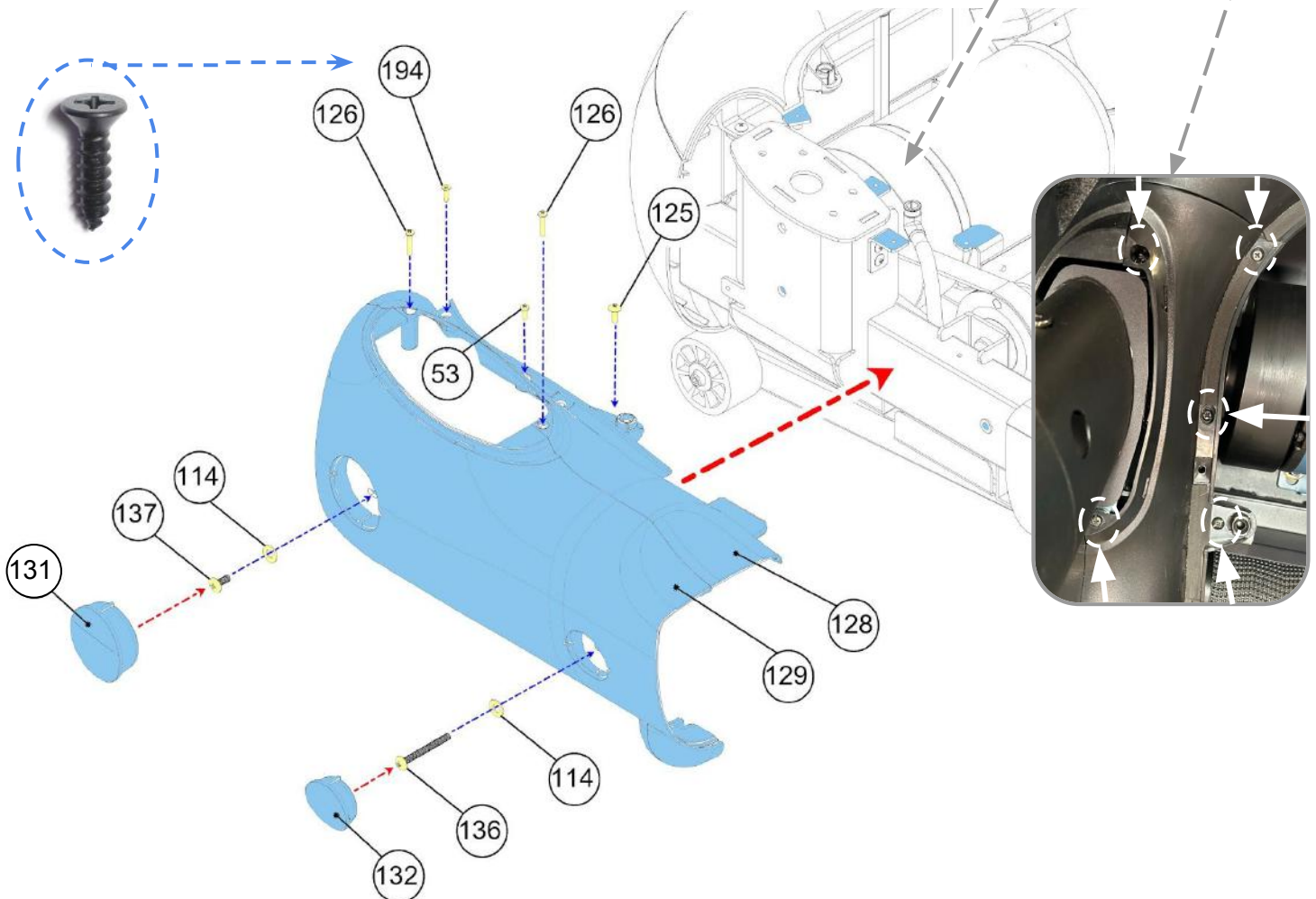
## Product Assembly, TM1200-TV (Bracket)

### STEP 18a: Re-Install the Inner & Outer (LEFT SIDE) Motor Side Cover Screws

Part #	Pre-Assembled Hardware	Qty
T120:053	Screw, Round Phillips Head, M5 x 0.8P x 12mm L - BLK	1
T120:114	Washer, Flat, M6 x Ø16 x T1.6 - BLK	2
T120:125	Screw, Philips Head, M5 x 0.8P x 15mm L - BLK	1
T120:126	Screw, Round Phillips Head, M5 x 0.8P x 25mm L - BLK	2
T120:136	Screw, Philips Head, M6 x 1.0P x 60mm L - BLK	1
T120:137	Screw, Philips Head, M6 x 1.0P x 16mm L - BLK	1
T120:194	Screw, Philips Head, Self Taping , M4 x 0.7P x 12mm L - BLK	1



**Caution:** Individual screws are specific to each location!



#### Recommended Tool:



PHILLIPS SCREWDRIVER #2  
w/ Magnetic TIP

Part #	Pre-Assembled Parts	Qty
T120:128	Motor Side Cover, Inner, Left	1
T120:129	Motor Side Cover, Outer, Left	1
T120:131	Motor Side Cover Cap, 73.2mm x 72.9mm x 28.7 mm , Back Left, Back Lg one, for Access to Hardware #137	1
T120:132	Motor Side Cover Cap, 52.7mm x 52.2mm x 20.5 mm , Outer Left, Front Sm one, for Access to Hardware #136	1

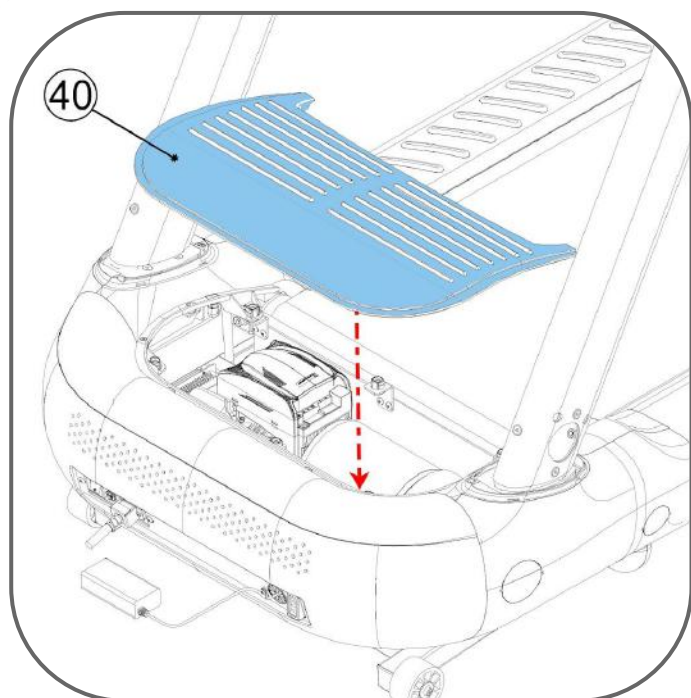
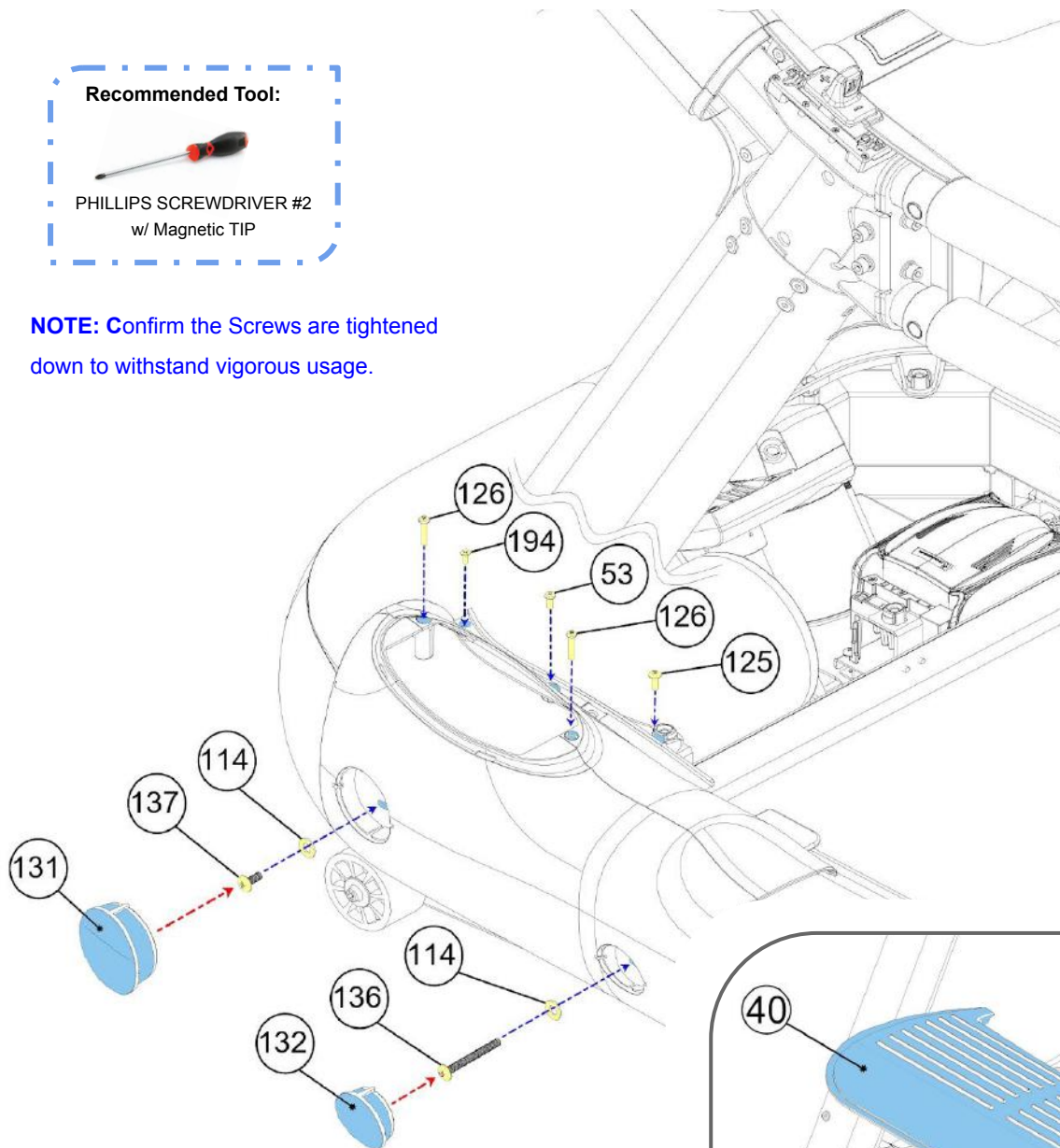
## STEP 18b: Tighten Screws & Install Motor Side Covers Caps

Recommended Tool:



PHILLIPS SCREWDRIVER #2  
w/ Magnetic TIP

**NOTE:** Confirm the Screws are tightened down to withstand vigorous usage.



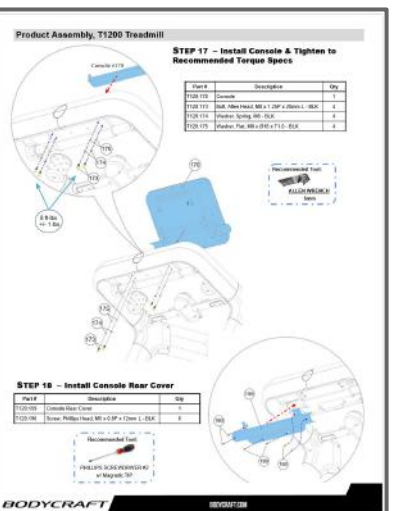
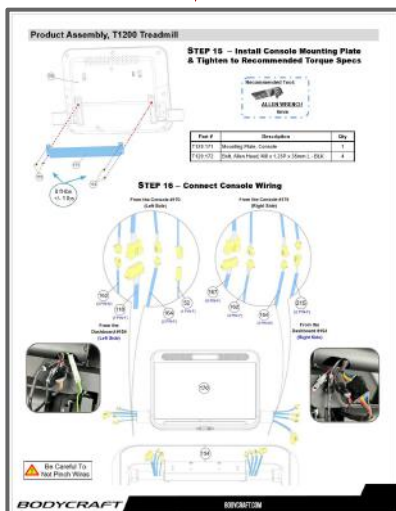
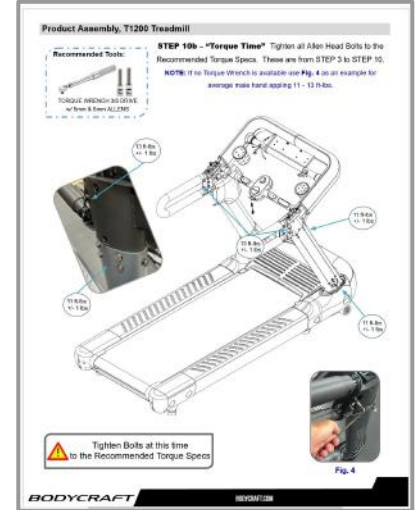
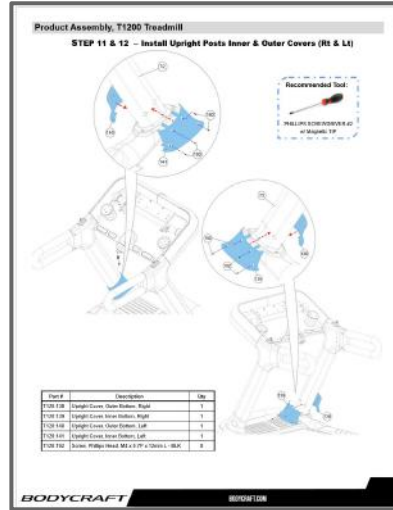
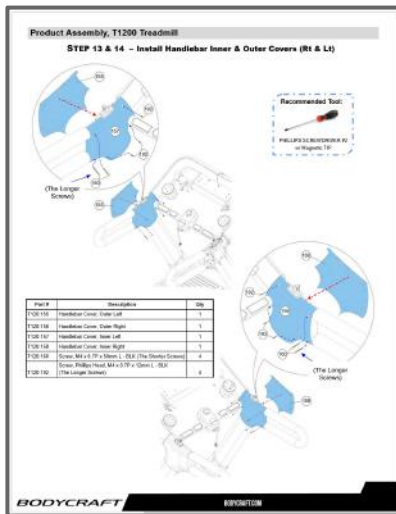
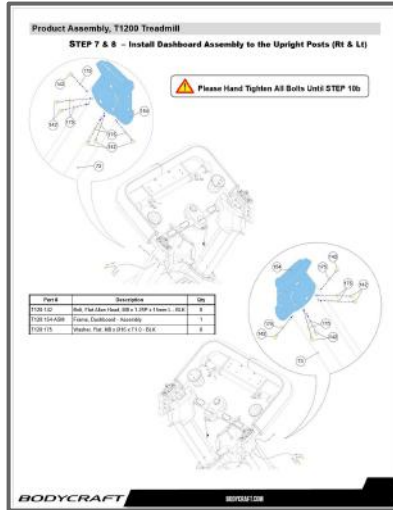
## STEP 19: Reinstall Motor Cover

**NOTE:** While using your HANDS ONLY, gently push down to secure the Motor Cover w/ it's Quick Release Tabs into the Base Frame.

# Product Assembly, TM1200-TV (Bracket)

## STEP 20: Go to the T1200 Treadmill Owner's Manual

Please go directly to the [T1200 Owner's Manual](#) to continue the assembly on its [STEPS 7 - 18](#)



After STEP 18 in the [T1200 Owner's Manual](#) come back to the [T1200-TV \(Bracket\) Assembly Manual](#) to

[STEP 21](#)

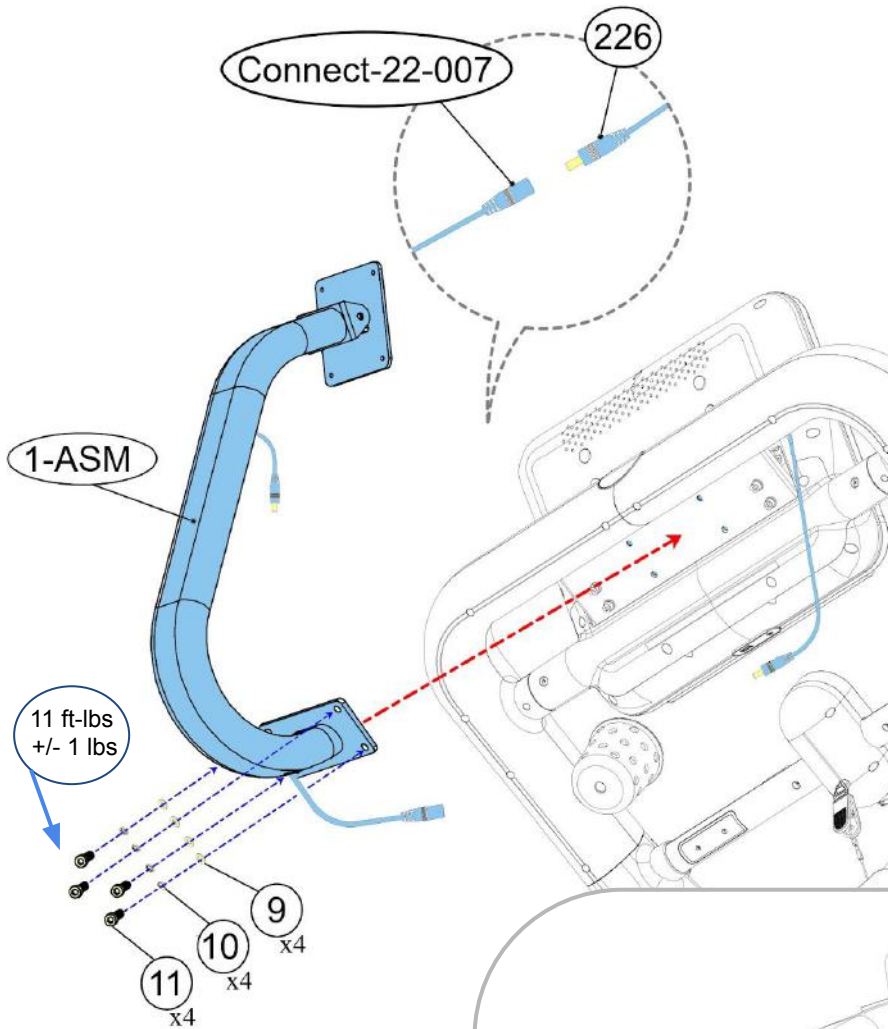


the next page.

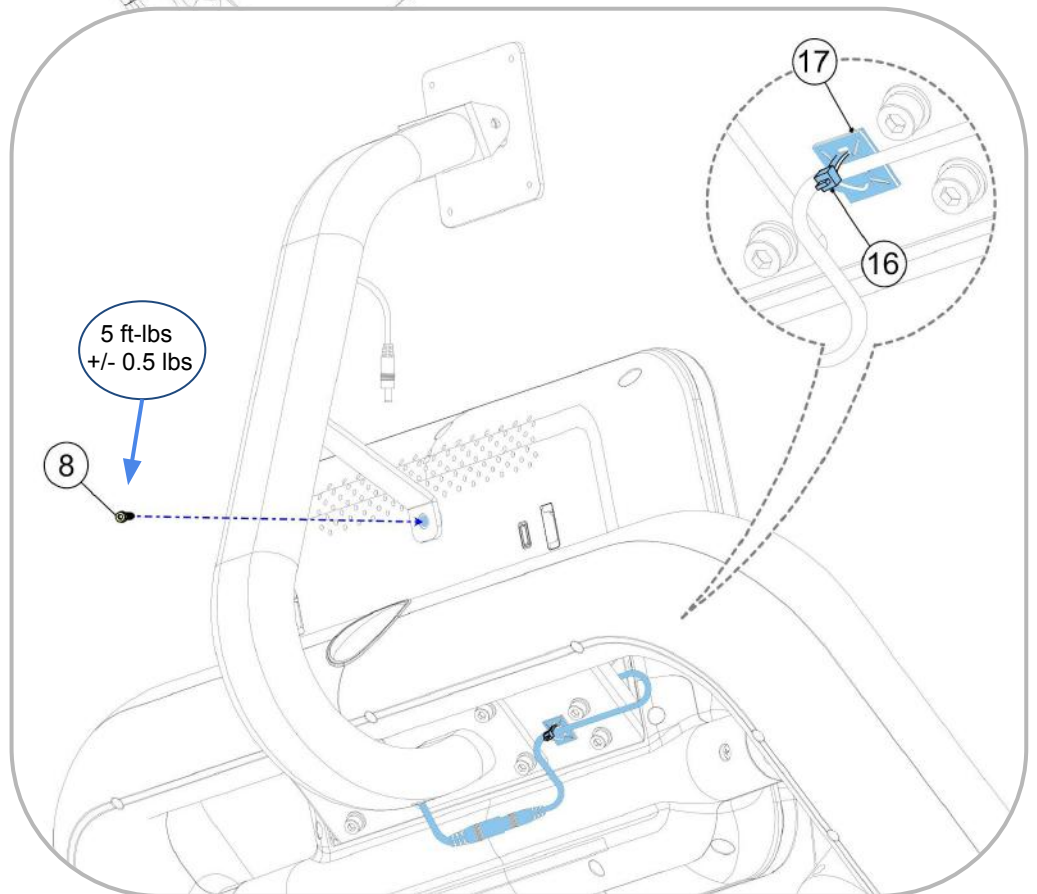


# Product Assembly, TM1200-TV (Bracket)

## STEP 21 & 22: Install Bracket Frame Assembly, Connect & Secure Power Cables



Part #	Assembly Parts List	QTY
T1200-TV:001-ASM	Bracket Frame - Assembly	1
T1200-TV:008	Bolt, Allen Socket Head, M8 x 1.25P x 35mm L - BLK	1
T1200-TV:009	Washer, Flat, M8 x Ø16 x T1.0 - BLK	4
T1200-TV:010	Washer, Spring, M8 - BLK	4
T1200-TV:011	Bolt, Allen Socket Head, M8 x 1.25P x 20mm L - BLK	4
T1200-TV:016	Cable Tie, Zip Locking, 100mm L - BLK	1
T1200-TV:017	Cable Tie Mount w/ Adhesive Backing - BLK	1
T120:226	Cable, Power for Connect 22, Middle in Dashboard Assembly, 1,000mm L (Jack to Plug 2 wire, 1.35mm ID, 3.5mm OD)	1
Connect-22-007	Power Tele-Cable	1



### Recommended Tools:



TORQUE WRENCH 3/8 DRIVE  
w/ 6mm ALLEN

Tighten Bolts at this time  
to the Recommended  
Torque Specs

# Product Assembly, TM1200-TV (Bracket)

## STEP 23: Install the Connect-22

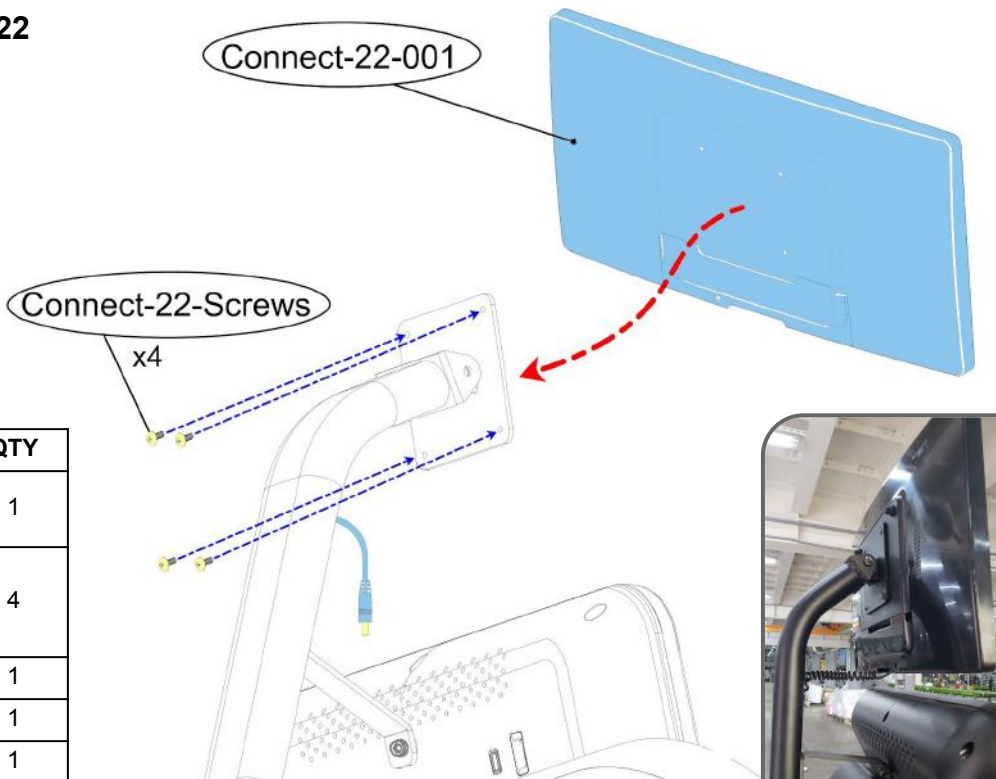
**Recommended Tool:**



PHILLIPS SCREWDRIVER #2  
w/ Magnetic TIP

**NOTE:** Confirm the Screws are tightened down to withstand vigorous usage.

Part #	Detailed Parts List	QTY
Connect-22-001	Connect-22 22" Touch Screen Unit	1
Connect-22-002	Philips Head Screws (M4 x 1.0p x 8mm L)	4
Connect-22-005	Power Supply	1
Connect-22-006	Power Cord	1
Connect-22-007	Power Tele-Cable	1



## Parts from the Connect-22 (items below are not to scale)



Connect-22 22" Screen Unit  
(Connect-22-001), 1 each



Power Tele-Cable from base of handlebar to Connect-22,  
(Connect-22-007), 1 each



Power Supply w/ cable to base of handlebar, (Connect-22-005), 1 each



Power Cord to Power Supply,  
(Connect-22-006), 1 each

## STEP 24: Return to the T1200 Treadmill Owner's Manual

Please go directly to the [T1200 Owner's Manual](#) to continue the Product Setup- Leveling the Treadmill & Running Belt Tension

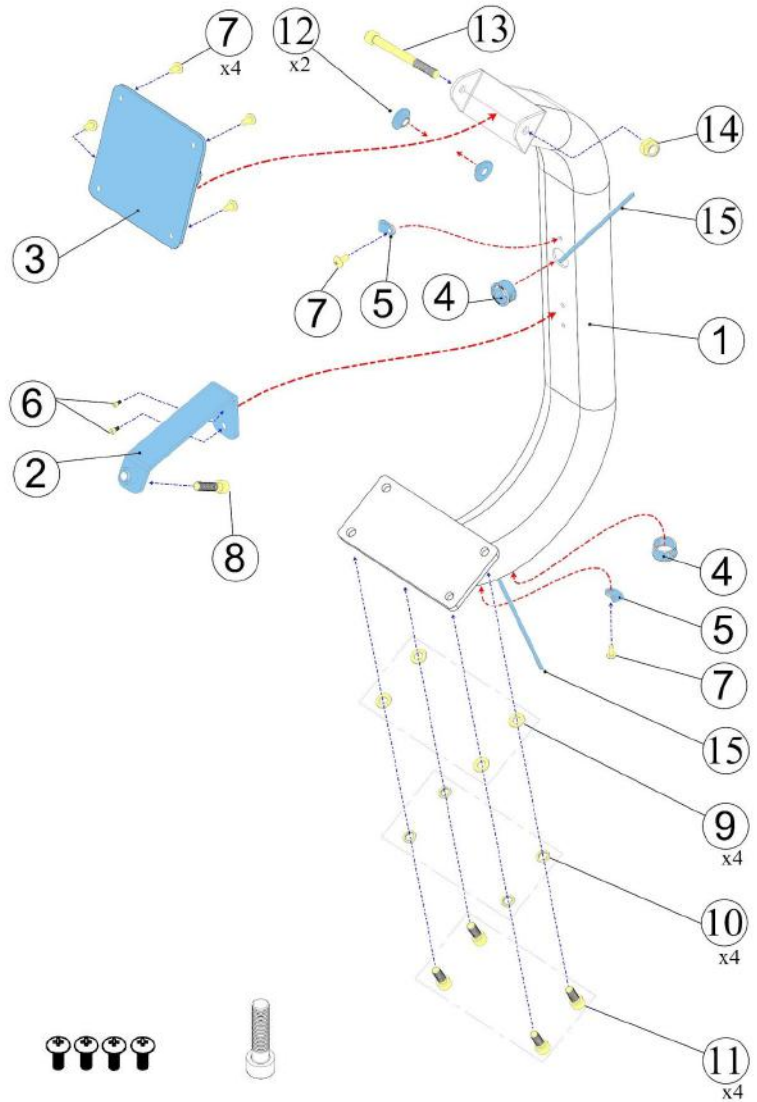


Open your Camera App and point it at the QR Code



# Detailed Parts List & Parts Exploded View, TM1200-TV (Bracket)

Part #	Detailed Parts List	QTY
T1200-TV:001	Bracket Frame	1
T1200-TV:002	Bracket Support, Bracket Frame to T1200 Dashboard	1
T1200-TV:003	Swivel Plate, Versa 100	1
T1200-TV:004	Bushing, Nylon Knockout, SB22M for Wire Protection on Bracket Frame - BLK	2
T1200-TV:005	Cable Clamp, Plastic w/ Screw Mounting Hole	2
T1200-TV:006	Bolt, Allen Socket Head, M5 x 20mm L - BLK	2
T1200-TV:007	Screw, Philips Head, M4 x 0.7P x 8mm L, for Connect-22 - BLK	6
T1200-TV:008	Bolt, Allen Socket Head, M8 x 1.25P x 35mm L - BLK	1
T1200-TV:009	Washer, Flat, M8 x Ø16 x T1.0 - BLK	4
T1200-TV:010	Washer, Spring, M8 - BLK	4
T1200-TV:011	Bolt, Allen Socket Head, M8 x 1.25P x 20mm L - BLK	4
T1200-TV:012	Bushing, Plastic for Swivel Plate to Bracket Frame - BLK	2
T1200-TV:013	Bolt, Allen Socket Head, M8 x 1.25p x 100mm L - BLK	1
T1200-TV:014	Nut, Nylon Lock, M8 x 1.25 - BLK	1
T1200-TV:015	Twist Tie, Black Plastic, 1,000mm L	1
T1200-TV:016	Cable Tie, Zip Locking, 100mm L - BLK	5
T1200-TV:017	Cable Tie Mount w/ Adhesive Backing - BLK	1
T1200-TV:018	Grommet, Cable Hole Cover, RSB-35 for TM Base - BLK	1
T1200-TV:019	Wrench, Allen, M4 x 75mm L for adj. the Bracket Support	1



(7)



(8)



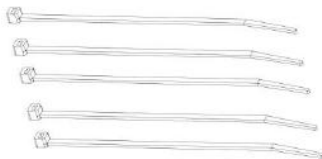
(9)



(10)



(11)



(16)



(17)



(18)



(19)

**NOTE:** Parts are not to scale

# ***Required Information BEFORE Initiating a Service Case***

***The following information is needed to help expedite troubleshooting and to ensure the correct part(s) are sent if needed for a repair:***

- 1) What product / model # do you have?
- 2) Unit serial number?
- 3) Installed by a dealer or direct sale?
- 4) Date of installation?
- 5) Date of service issue?
- 6) Complaint or problem, including any Error Codes?
- 7) Has the software been updated?
- 8) What part(s) are being requested?
- 9) Any picture or video will help with troubleshooting or exact part(s) needed.



**BODYCRAFT**  
7699 GREEN MEADOWS DR.  
LEWIS CENTER, OHIO 43035



800.990.5556  
SERVICE@BODYCRAFT.COM  
WWW.BODYCRAFT.COM